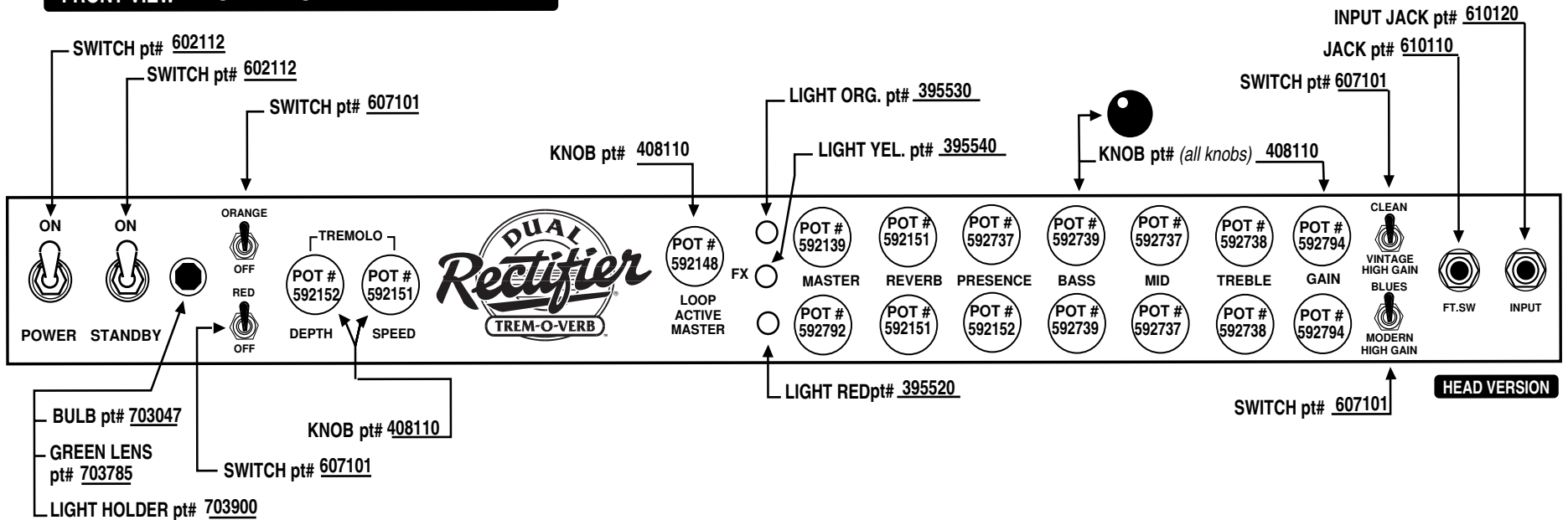
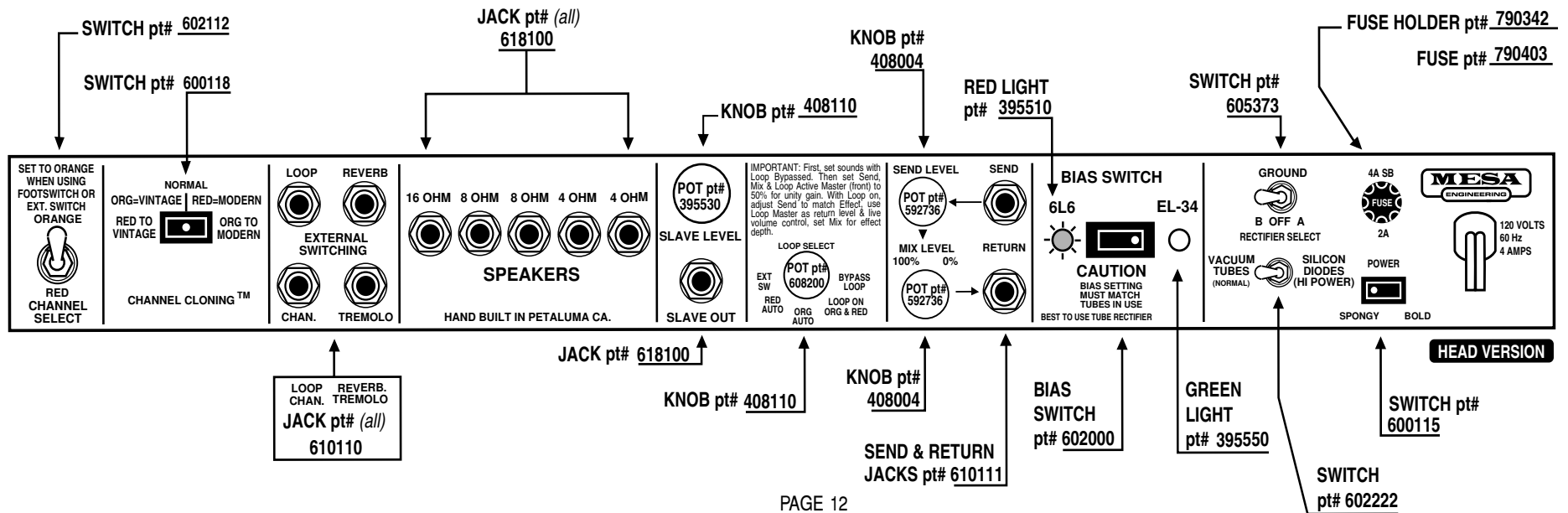


Trem - O-Verb

FRONT VIEW DUAL RECTIFIER TREM O VERB



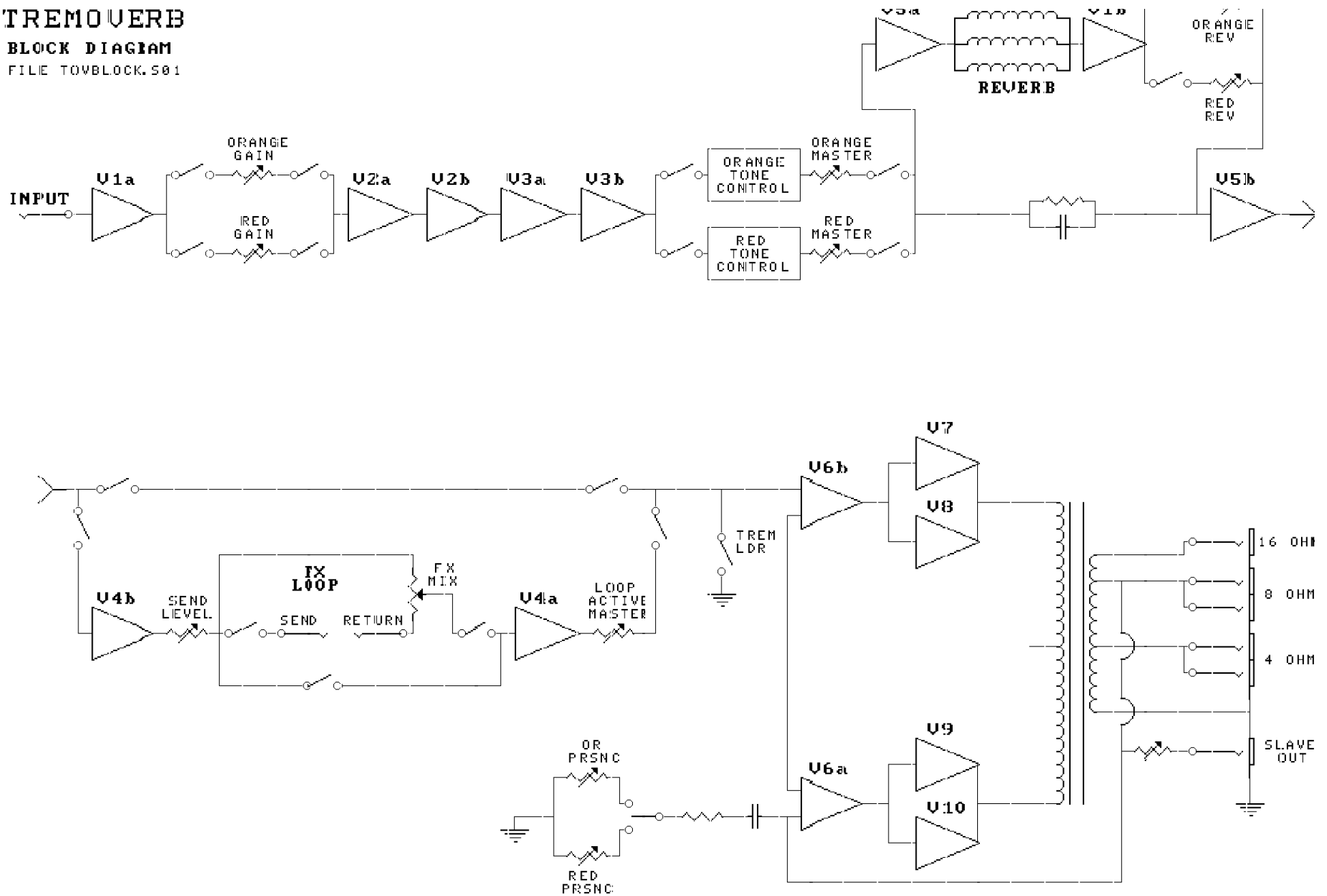
REAR VIEW DUAL RECTIFIER TREM O VERB



TREMOVERB

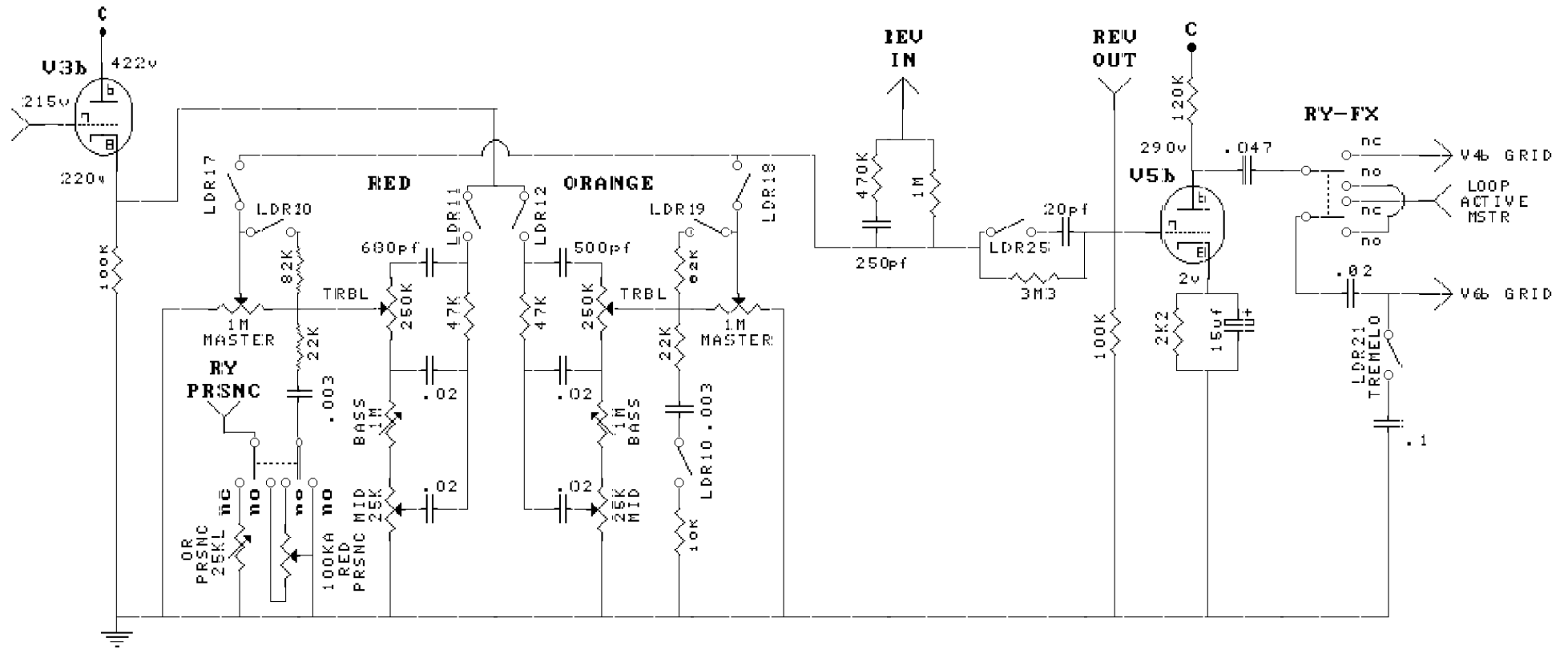
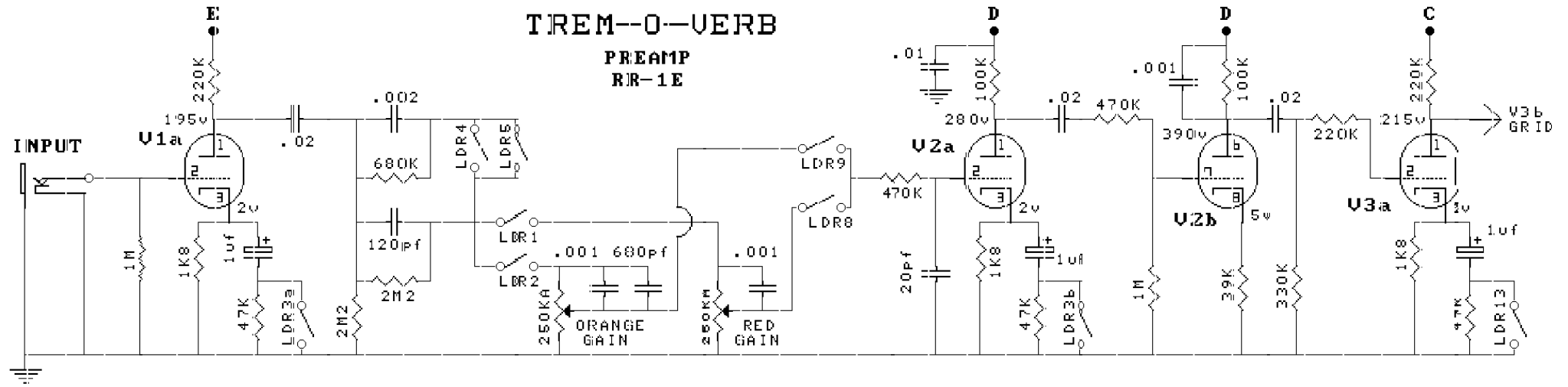
BLOCK DIAGAM

FILE TOVBLOCK.S01



TREM-O-VERB

PREAMP
RR-1E

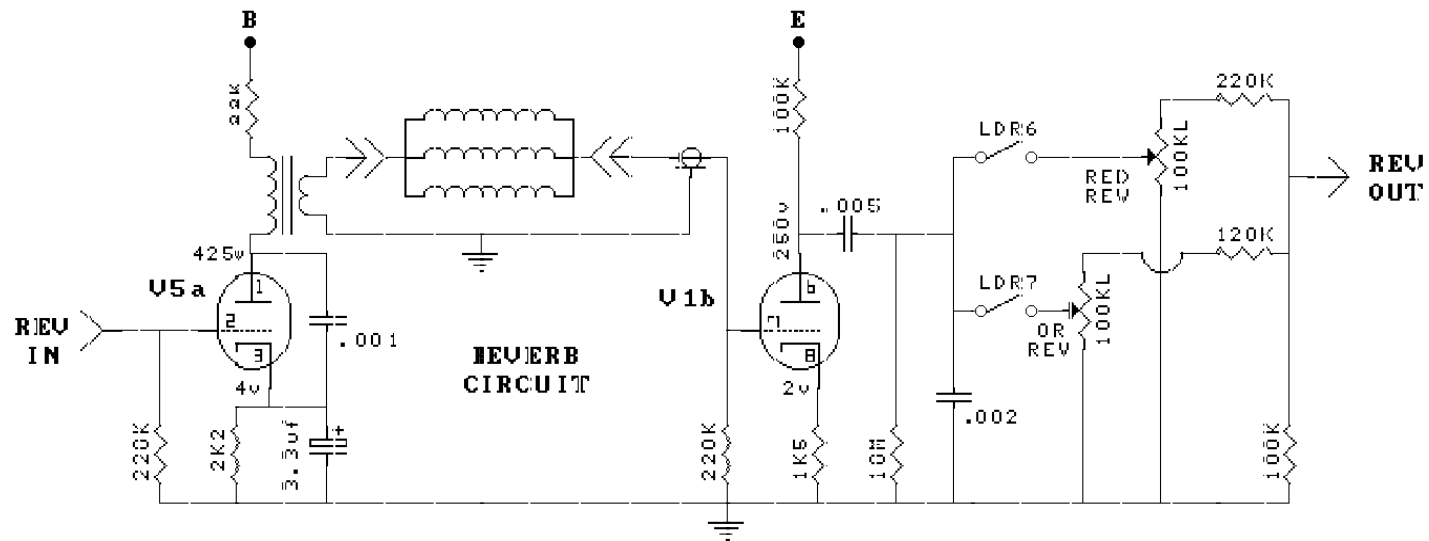
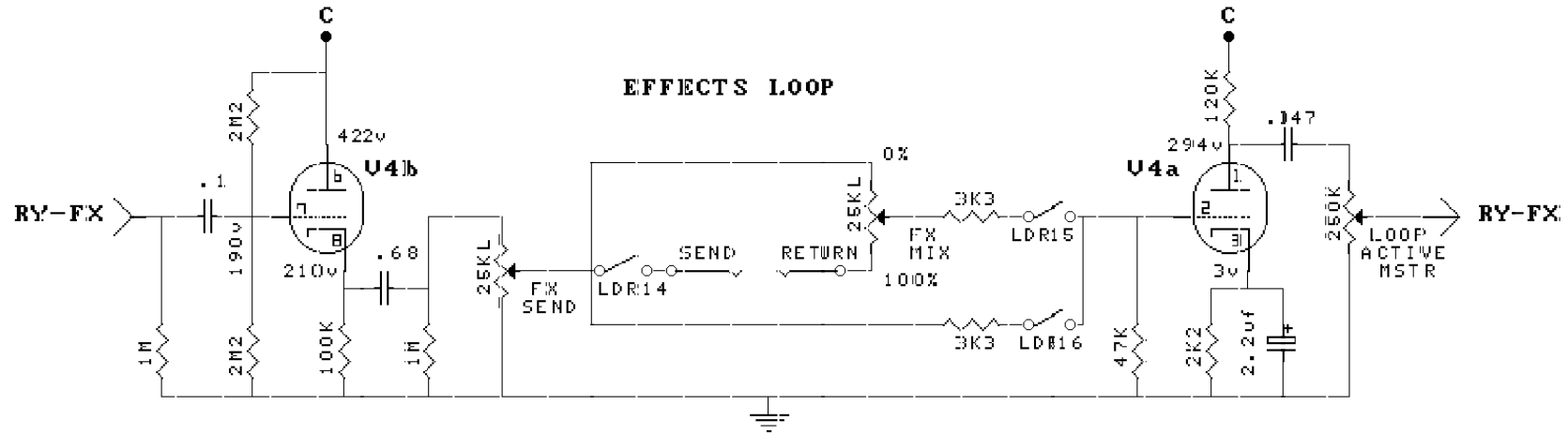


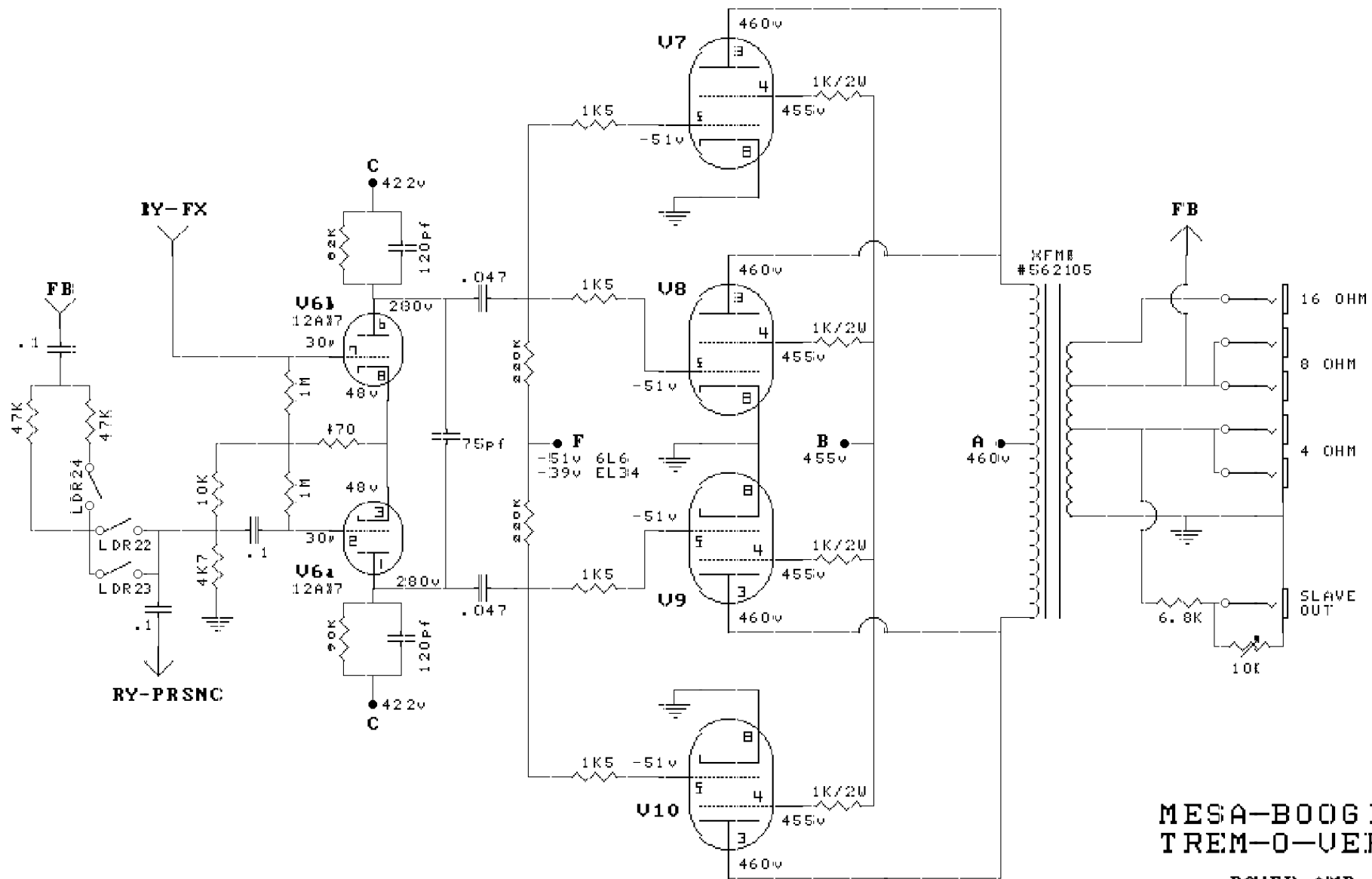
MESA-BOOGIE TREMOLVERB

FX LOOP, REVERB

FILE TOVPRE2.S01

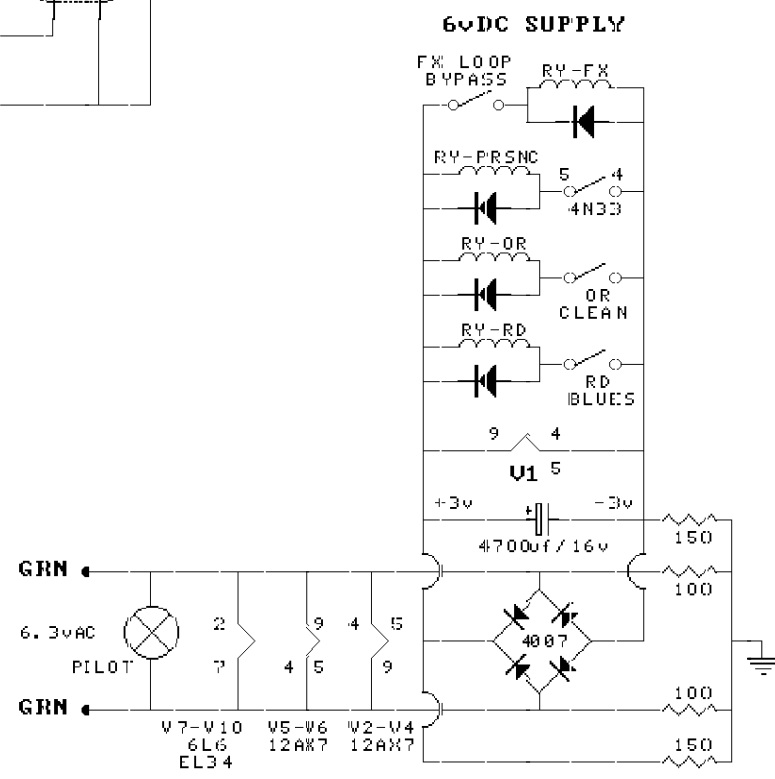
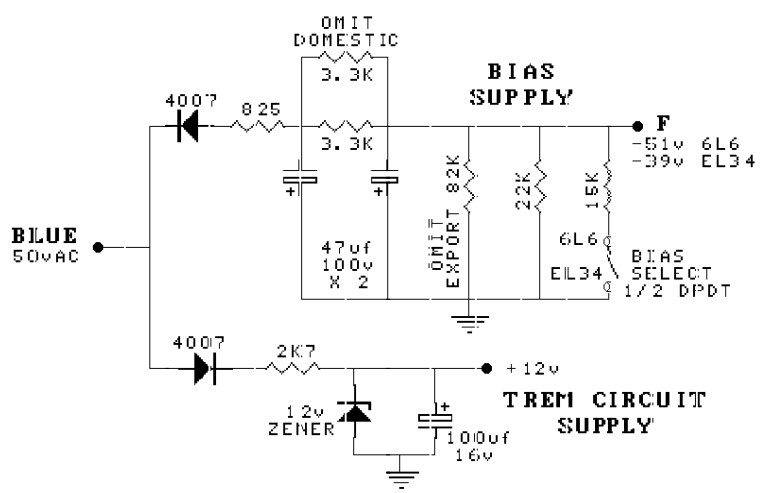
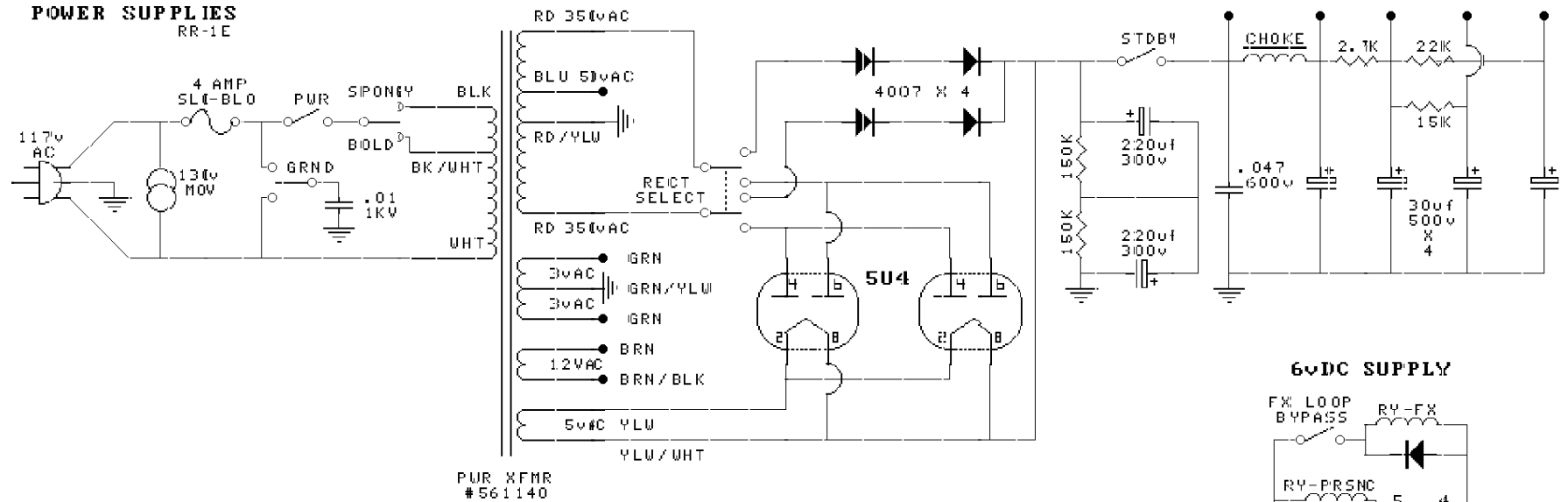
4/7





**MESA-BOOGIE
TREM-O-VERB**
POWER AMP
1R-1E

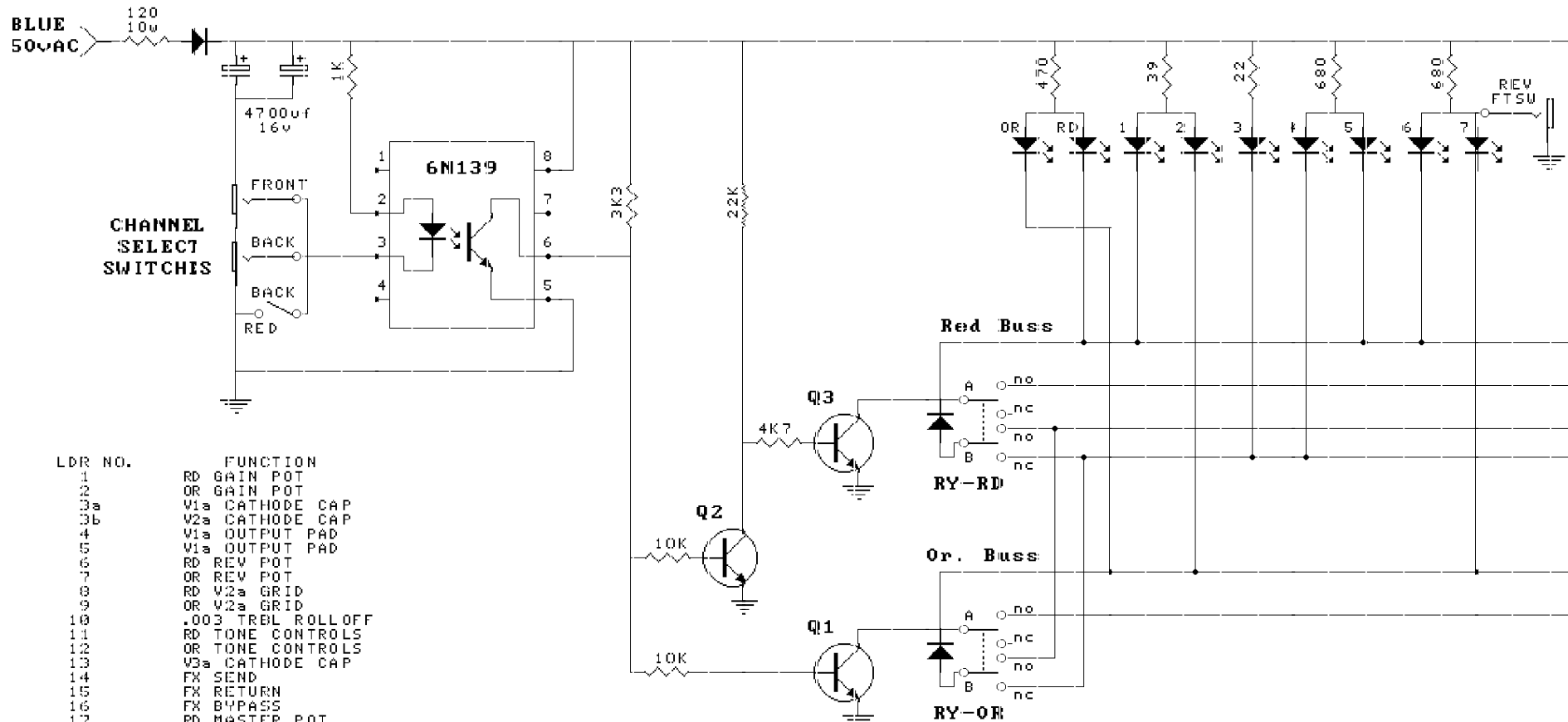
MESA-BOOGIE TREM-O-VERB POWER SUPPLIES RR-1E



MESA--BOOGIE TREM-O-VERB

SWITCHING MATRIX PART ONE

IR-1E



LDR NO.	FUNCTION
1	RD GAIN POT
2	OR GAIN POT
3a	V1a CATHODE CAP
3b	V2a CATHODE CAP
4	V1a OUTPUT PAD
5	V1a OUTPUT PAD
6	RD REV POT
7	OR REV POT
8	RD V2a GRID
9	OR V2a GRID
10	.003 TREBL ROLL OFF
11	RD TONE CONTROLS
12	OR TONE CONTROLS
13	V3a CATHODE CAP
14	FX SEND
15	FX RETURN
16	FX BYPASS
17	RD MASTER POT
18	OR MASTER POT
19	OR MSTR 82K BYPASS
20	RD MSTR 82K BYPASS
21	TREMOLO
22	FEEDBACK
23	FEEDBACK
24	47K FEEDBACK RES.
25	20pf V5b GRID

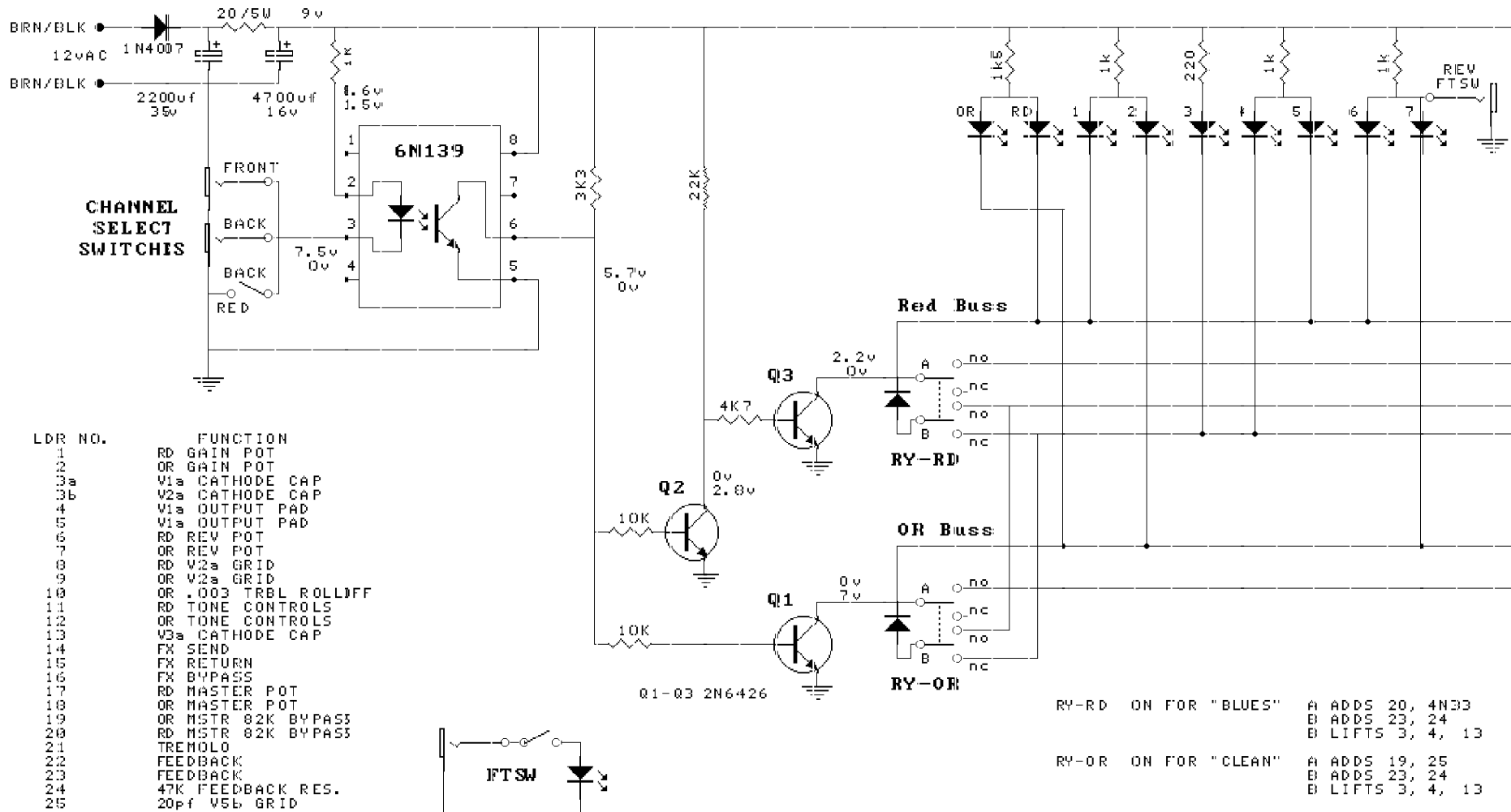
RY-RD ON FOR "BLUES" A ADDS 20, 4ND3
 B ADDS 23, 24
 B LIFTS 3, 4, 13

RY-OR ON FOR "CLEAN" A ADDS 19, 25
 B ADDS 23, 24
 B LIFTS 3, 4, 13

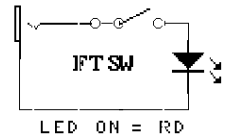
MESA-BOOGIE TREM OVERB

SWITCHING MATRIX PT. 1

FILE TOVSU1A.S01
6/7



LDR NO.	FUNCTION
1	RD GAIN POT
2	OR GAIN POT
3a	V1a CATHODE CAP
3b	V2a CATHODE CAP
4	V1a OUTPUT PAD
5	V1a OUTPUT PAD
6	RD REV POT
7	OR REV POT
8	RD V2a GRID
9	OR V2a GRID
10	OR .003 TRBL ROLLOFF
11	RD TONE CONTROLS
12	OR TONE CONTROLS
13	V3a CATHODE CAP
14	FX SEND
15	FX RETURN
16	FX BYPASS
17	RD MASTER POT
18	OR MASTER POT
19	OR M5TR 82K BYPASS
20	RD M5TR 82K BYPASS
21	TREMOLO
22	FEEDBACK
23	FEEDBACK
24	47K FEEDBACK RES.
25	20pf V5b GRID



RY-RD ON FOR "BLUES" A ADDS 20, 4N33
B ADDS 23, 24
B LIFTS 3, 4, 13

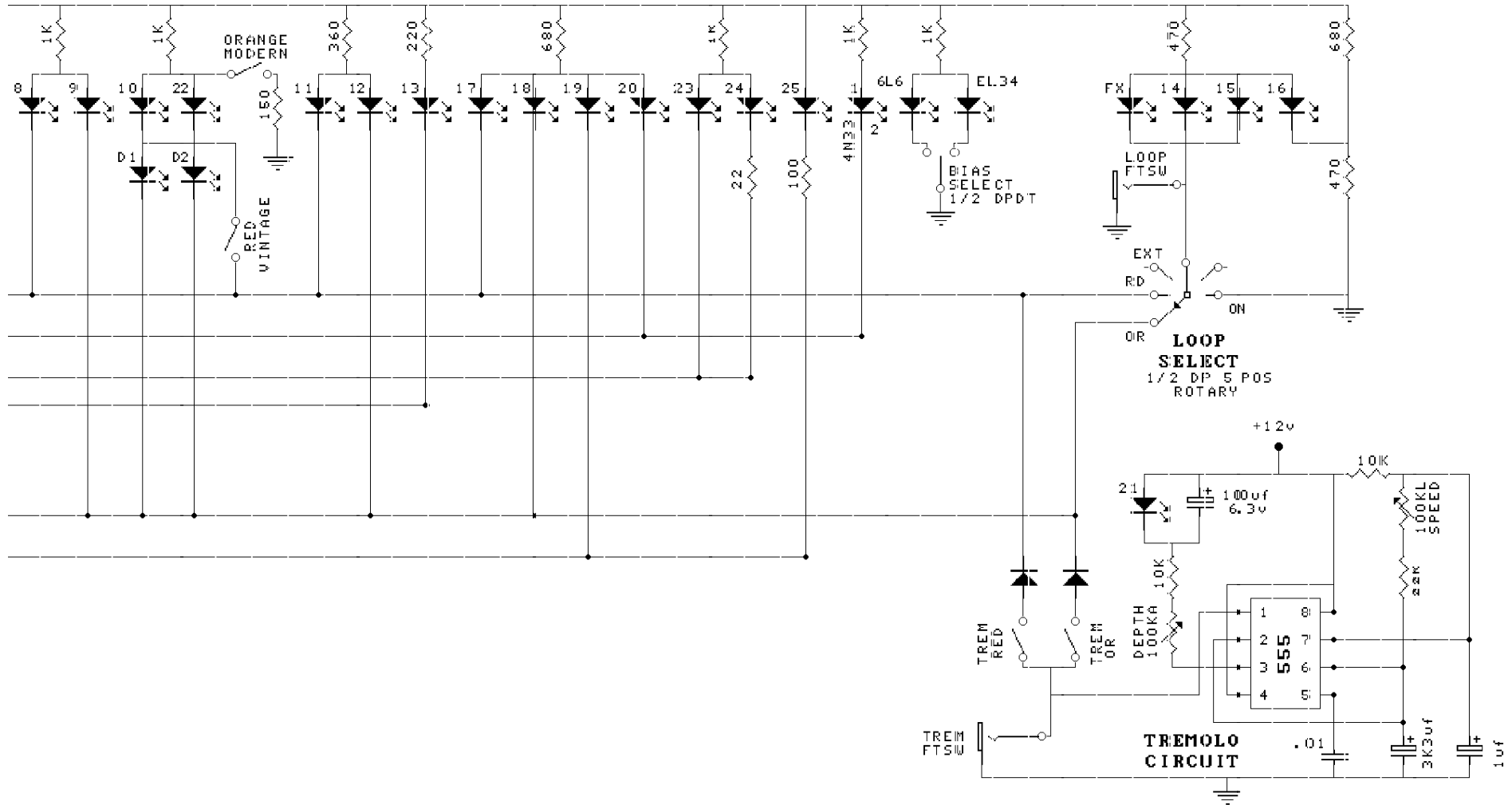
RY-OR ON FOR "CLEAN" A ADDS 19, 25
B ADDS 23, 24
B LIFTS 3, 4, 13

MESA-BOOGIE TREM OVERB

SWITCHING MATRIX PT. 2

FILE TOMSU2A.S01

7/7



MESA-BOOGIE TREM-O-VERB

SWITCHING MATRIX PART TWO

RR-1E

