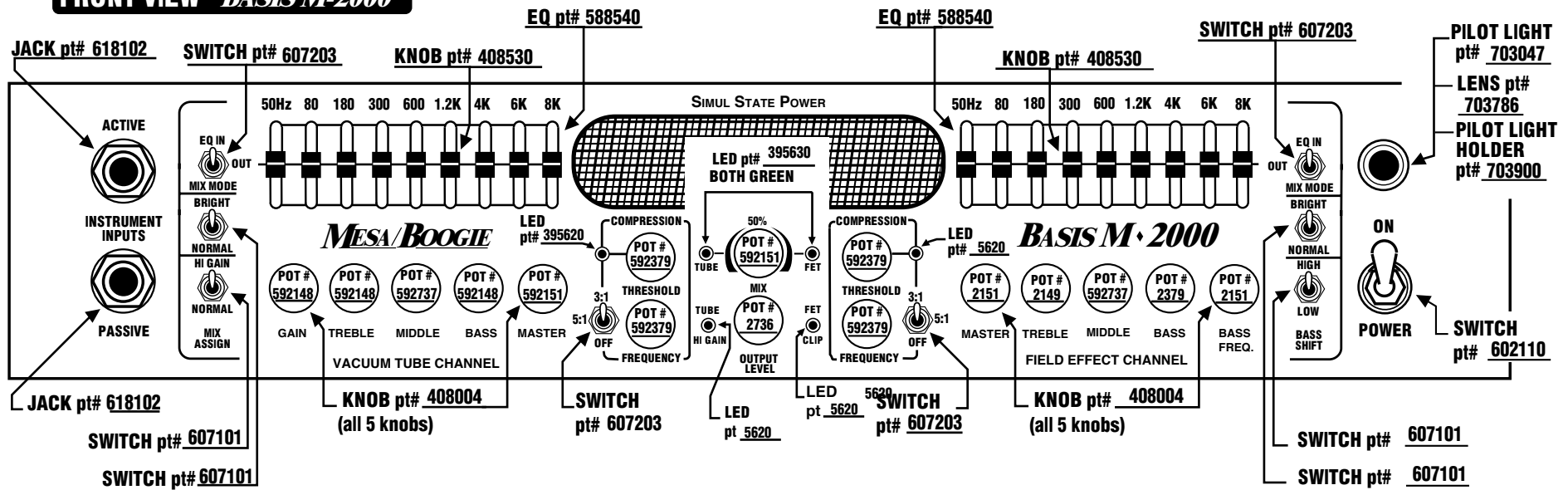


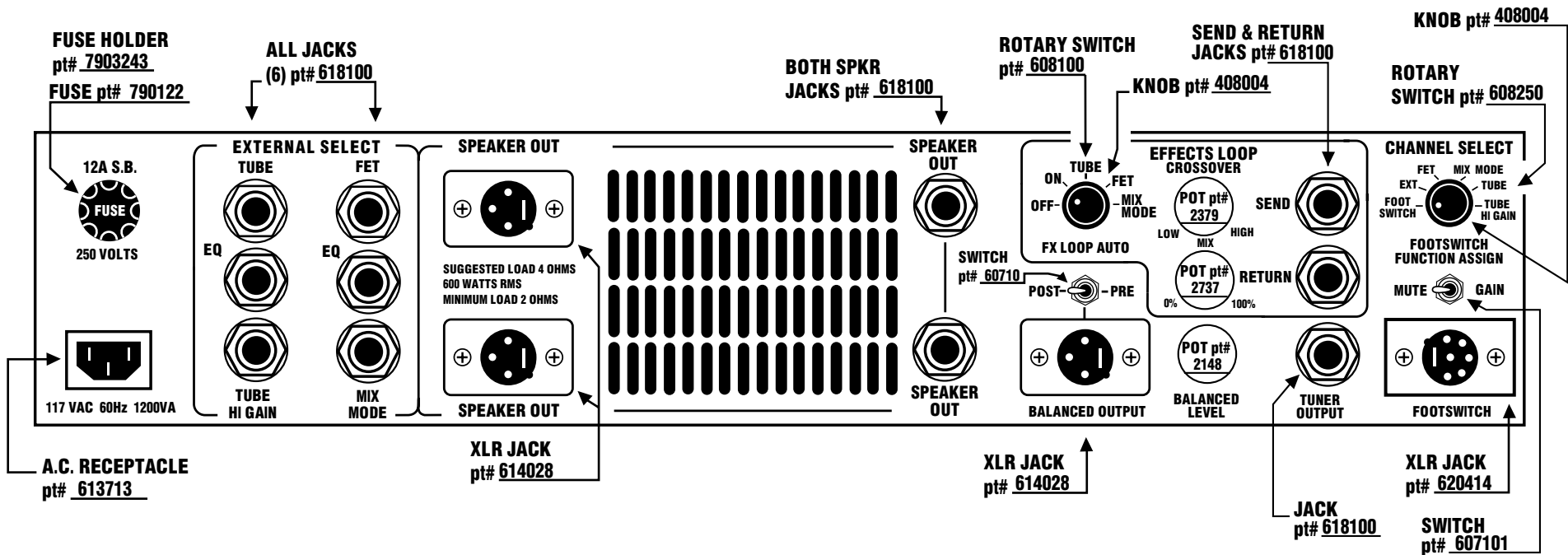
MESA/BOOGIE[®]

BASIS M-2000[™]

FRONT VIEW BASIS M-2000



REAR VIEW BASIS M2000

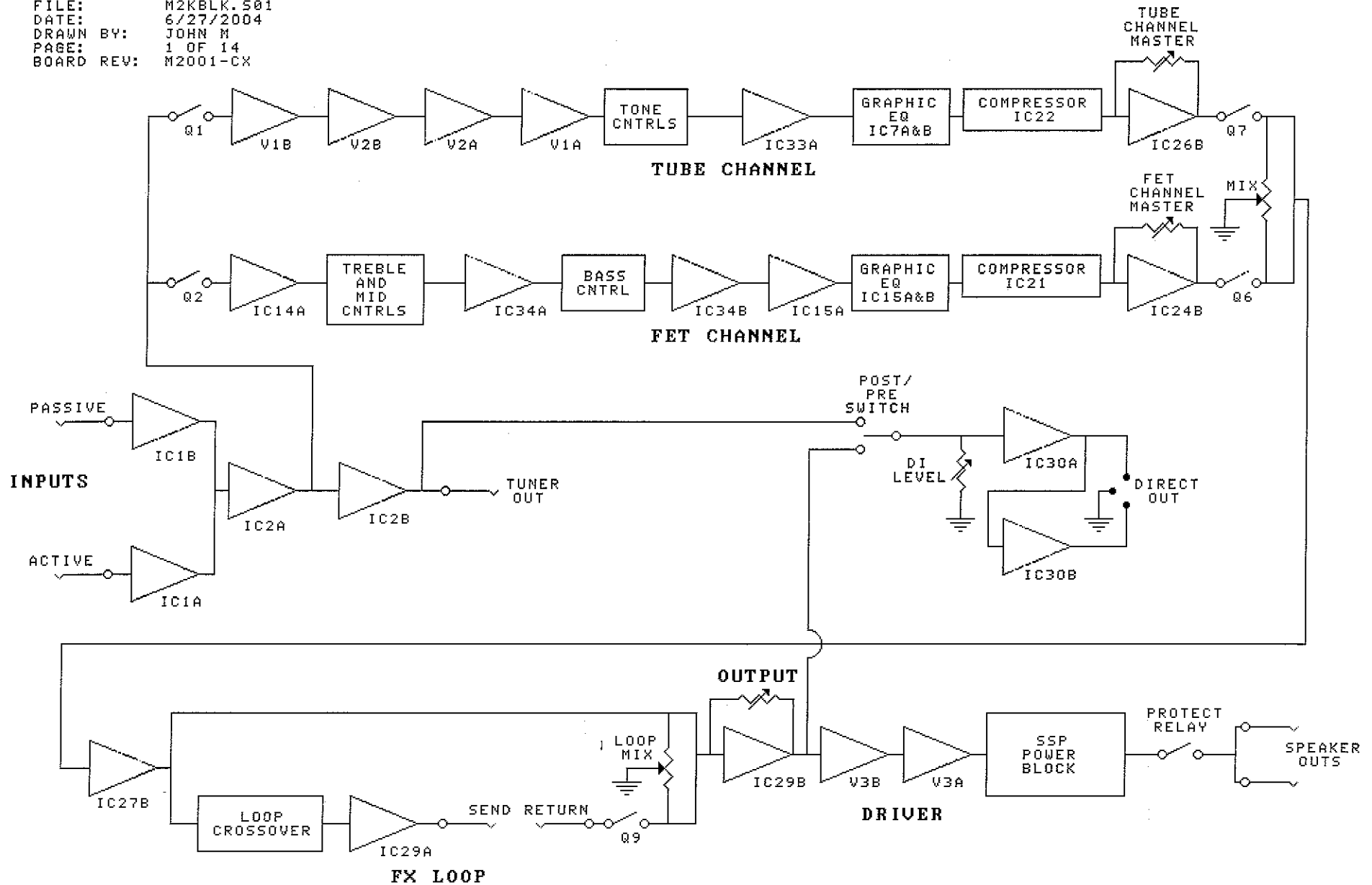


MESA/BOOGIE

M2000

BLOCK DIAGRAM

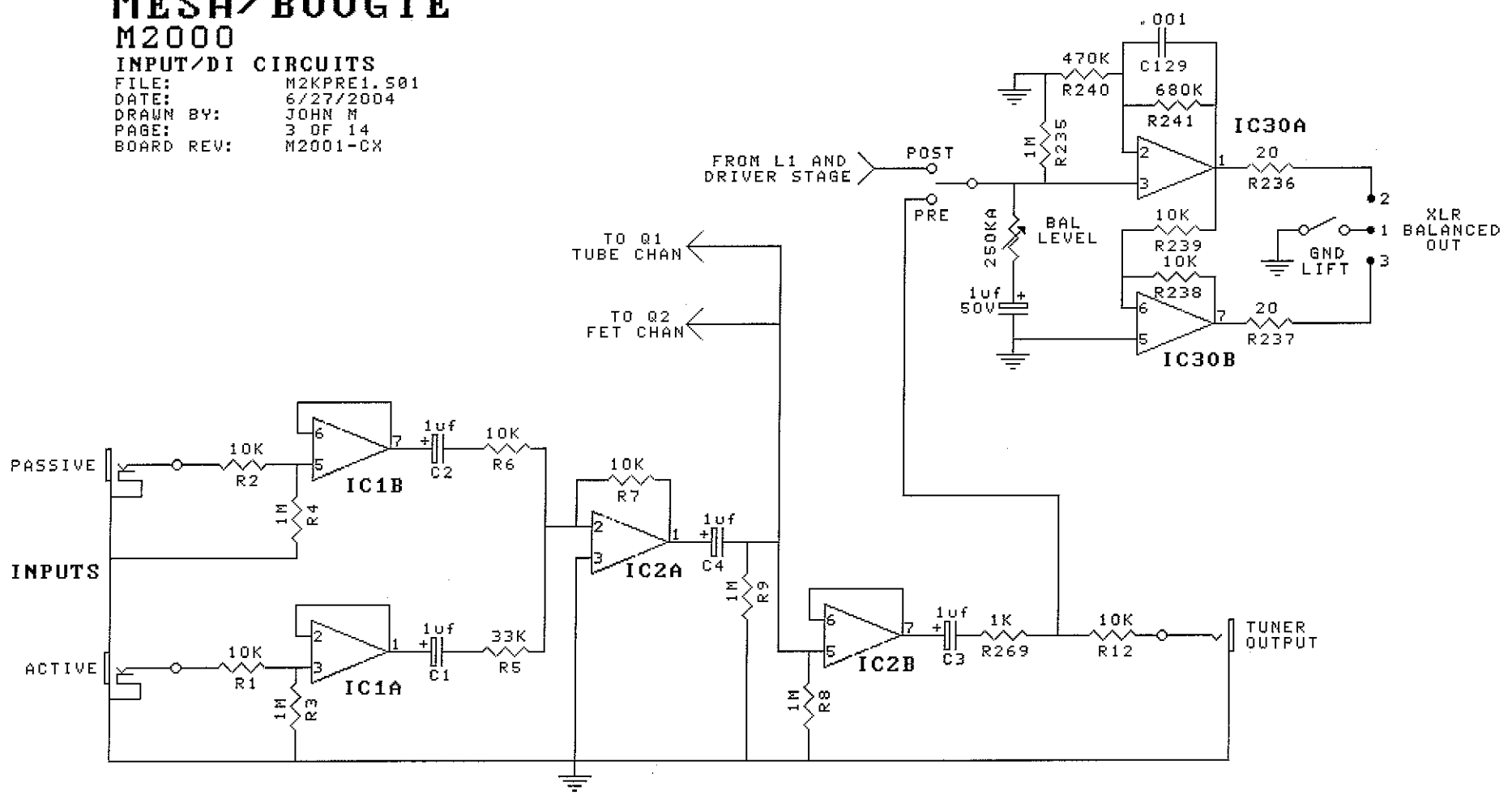
FILE: M2KBLK.501
DATE: 6/27/2004
DRAWN BY: JOHN M
PAGE: 1 OF 14
BOARD REV: M2001-CX



MESA/BOOGIE M2000

INPUT/DI CIRCUITS

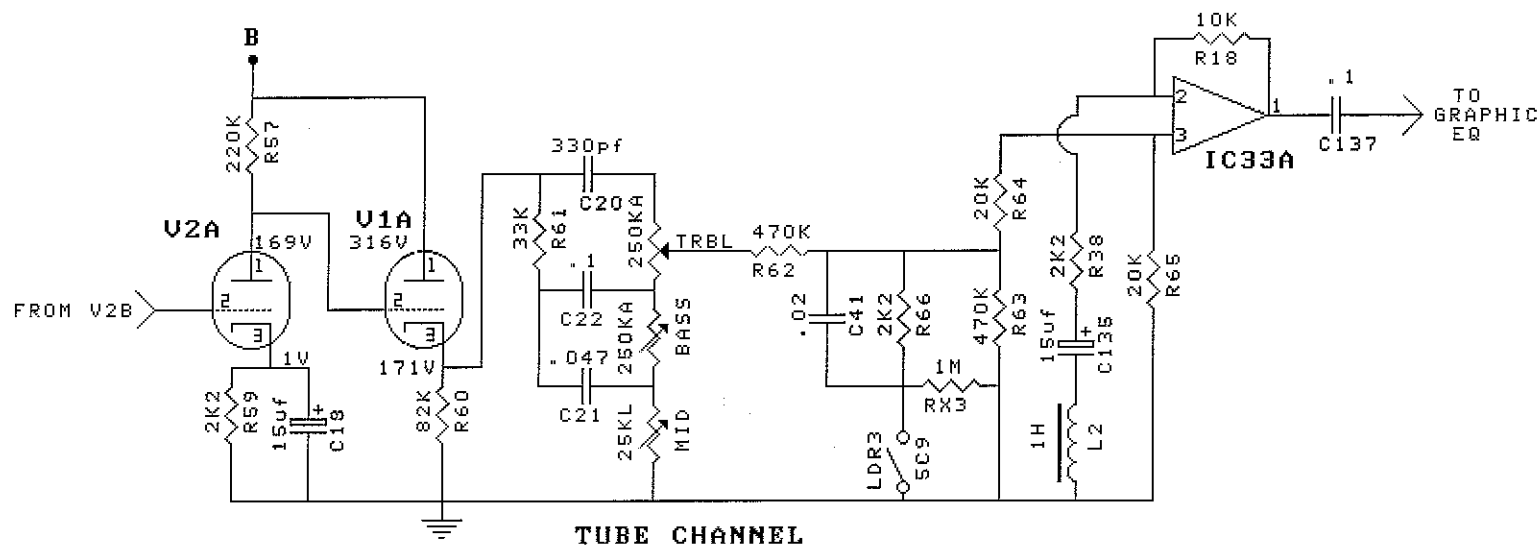
FILE: M2KPRE1.501
 DATE: 6/27/2004
 DRAWN BY: JOHN M
 PAGE: 3 OF 14
 BOARD REV: M2001-CX



MESA/BOOGIE M2000

TUBE PREAMP PT 2

FILE: M2KPRE3.S01
 DATE: 8/27/2004
 DRAWN BY: JOHN M
 PAGE: 5 OF 14
 BOARD REV: M2001-CX

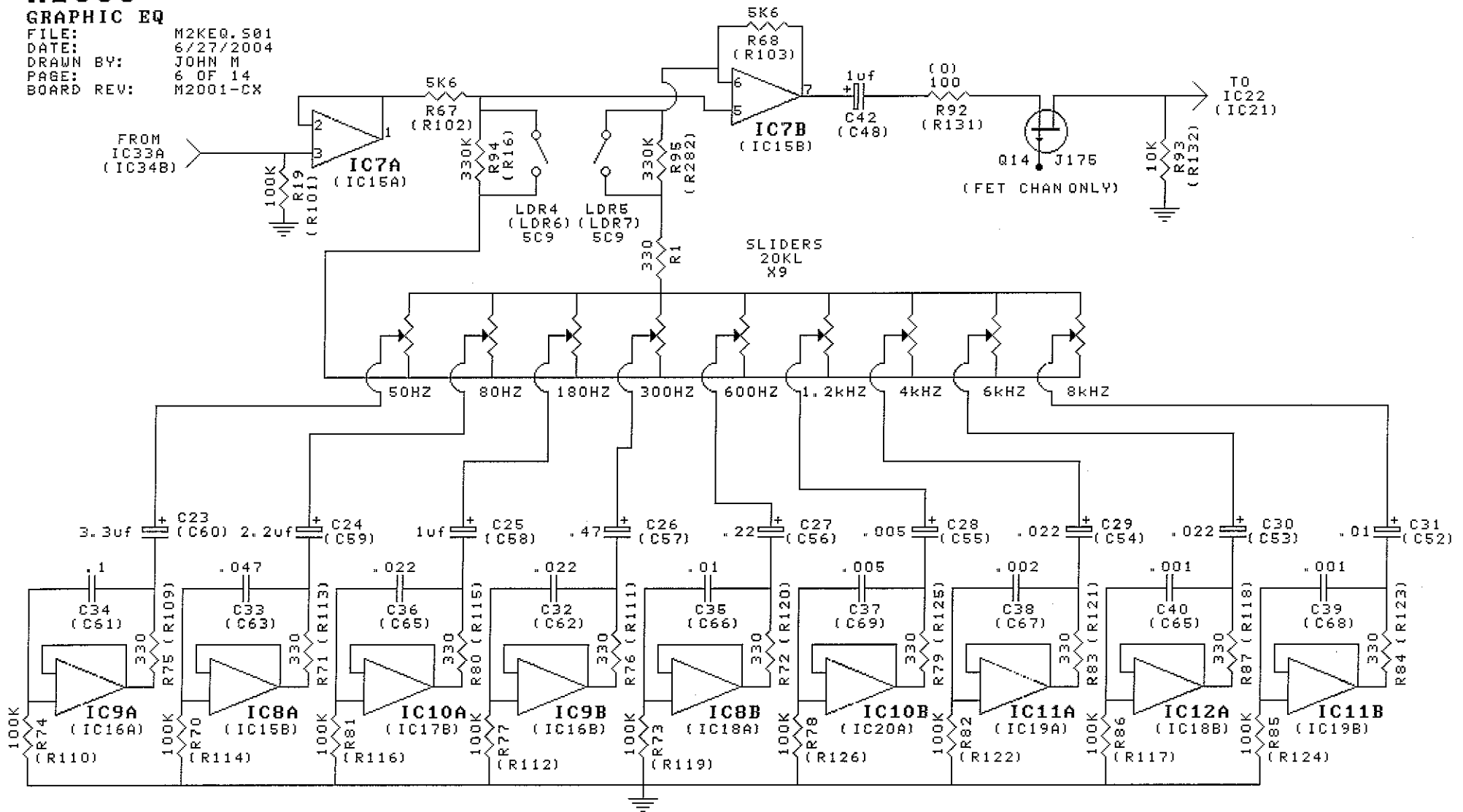


MESA/BOOGIE

M2000

GRAPHIC EQ

FILE: M2KE0.501
 DATE: 6/27/2004
 DRAWN BY: JOHN M
 PAGE: 6 OF 14
 BOARD REV: M2001-CX

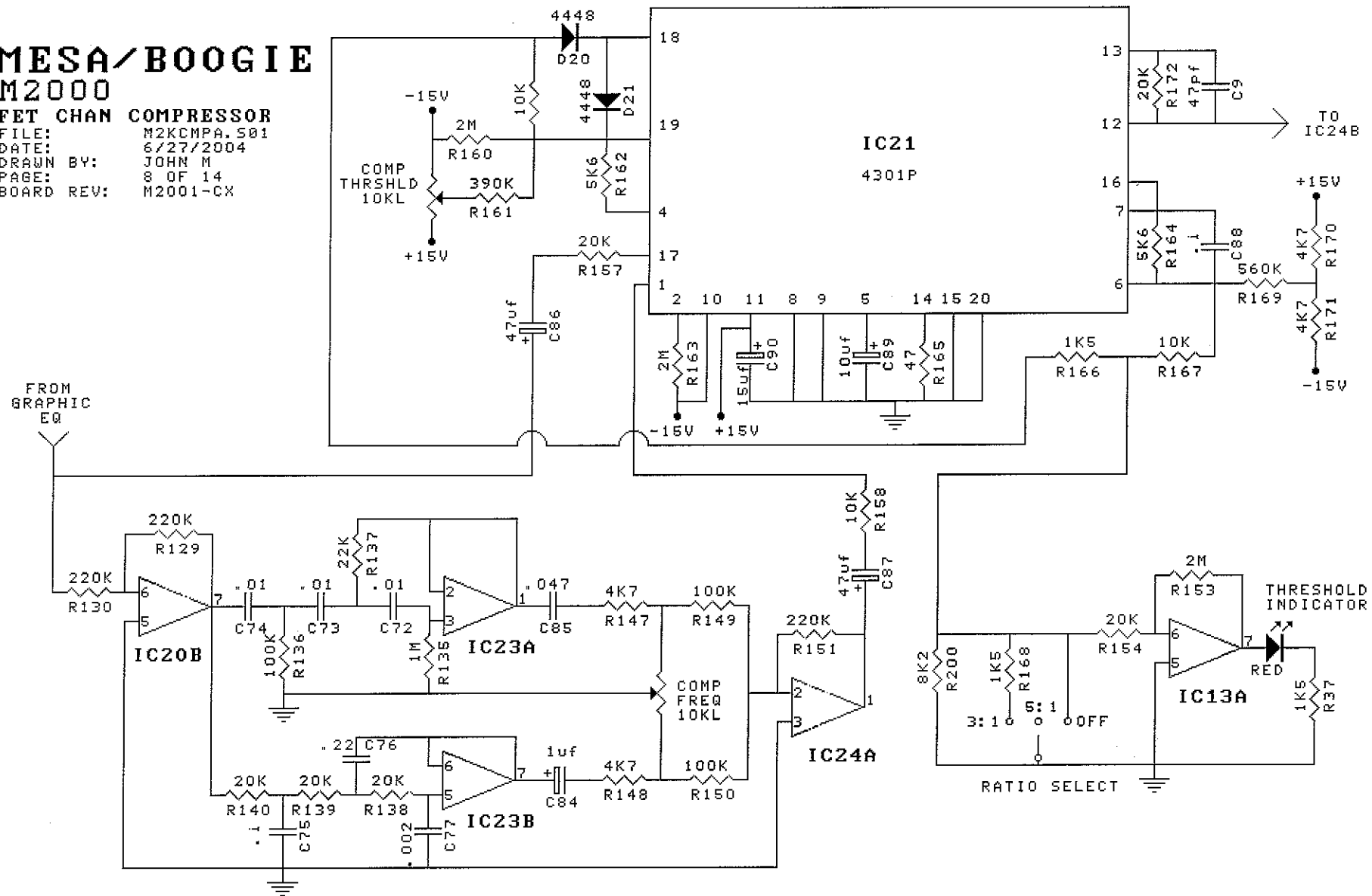


VALUES AND
 LOCATOR NUMBERS:
 TUBE CHANNEL
 (FET CHANNEL)

MESA/BOOGIE M2000

FET CHAN COMPRESSOR

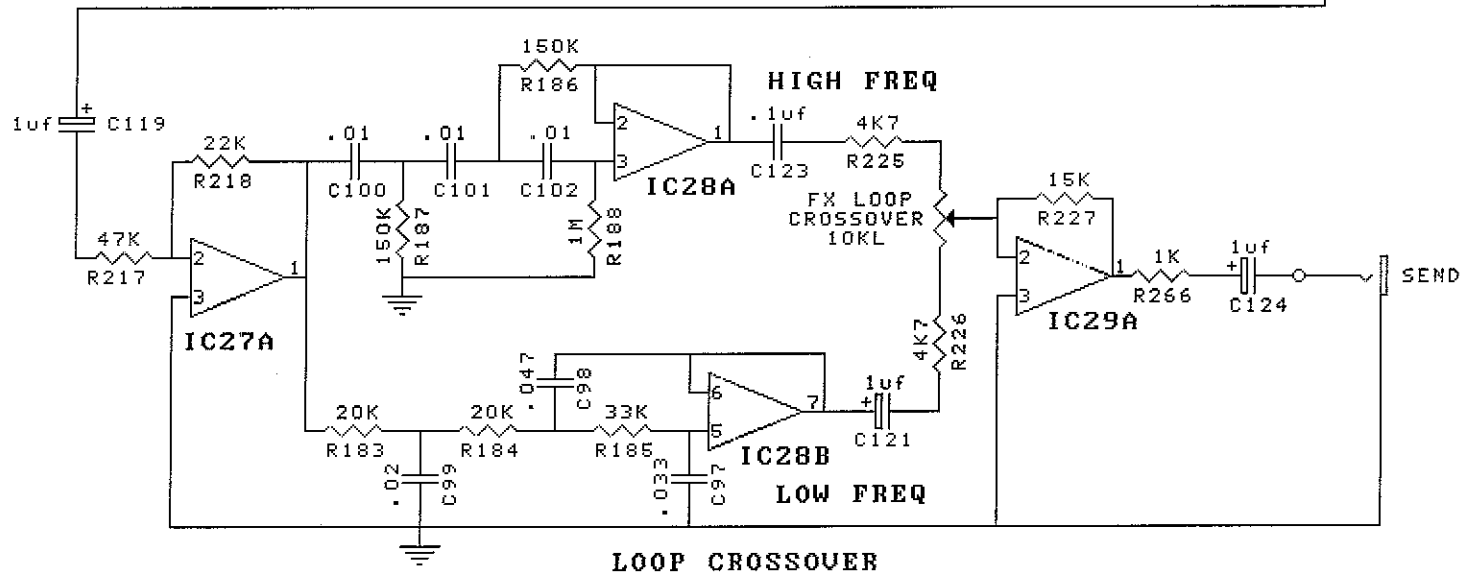
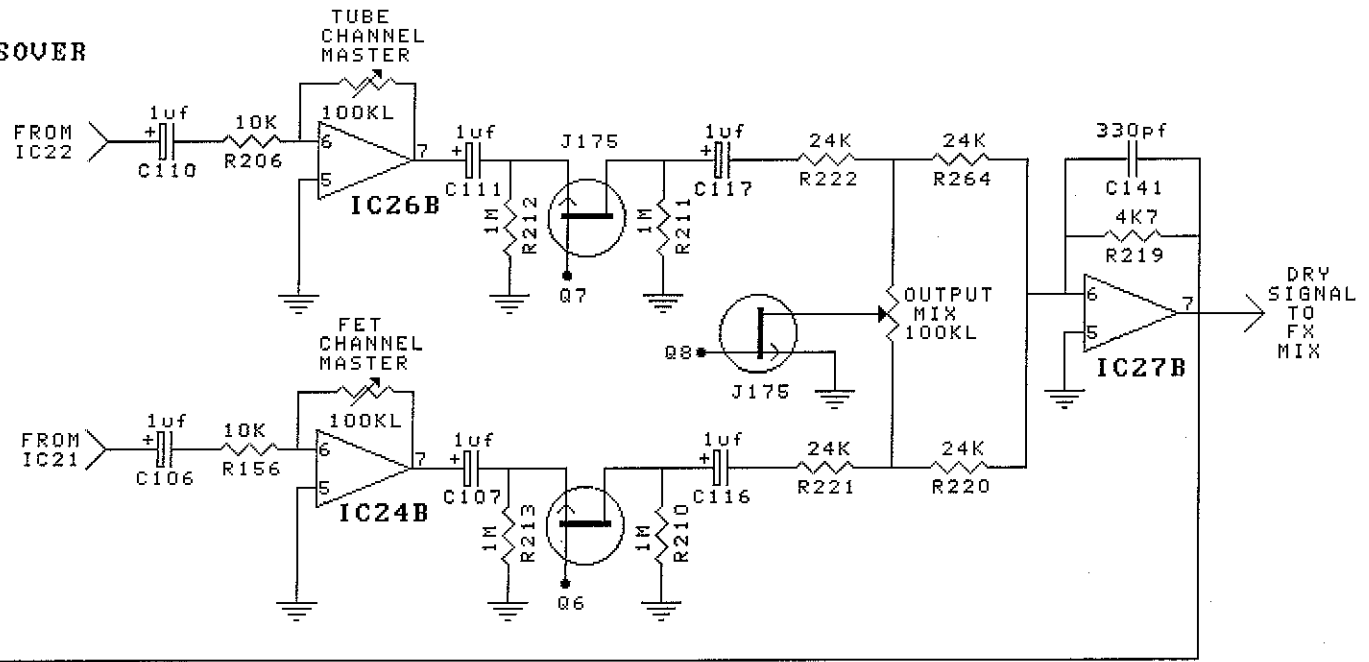
FILE: M2KCMPA.501
 DATE: 6/27/2004
 DRAWN BY: JOHN M
 PAGE: 8 OF 14
 BOARD REV: M2001-CX



MESA/BOOGIE M2000

MIX CONTROL/LOOP CROSSOVER

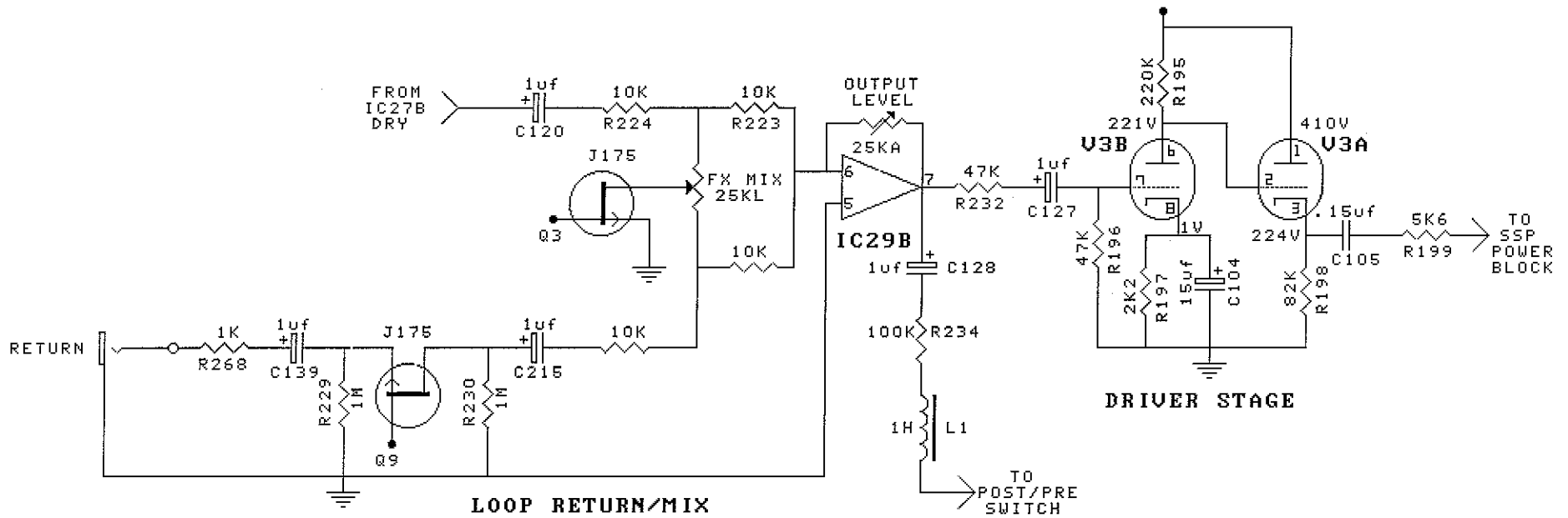
FILE: M2KMIX.S81
 DATE: 6/27/2004
 DRAWN BY: JOHN M
 PAGE: 9 OF 14
 BOARD REV: M2001-CX



MESA/BOOGIE M2000

FX MIX/DRIVER CIRCUIT

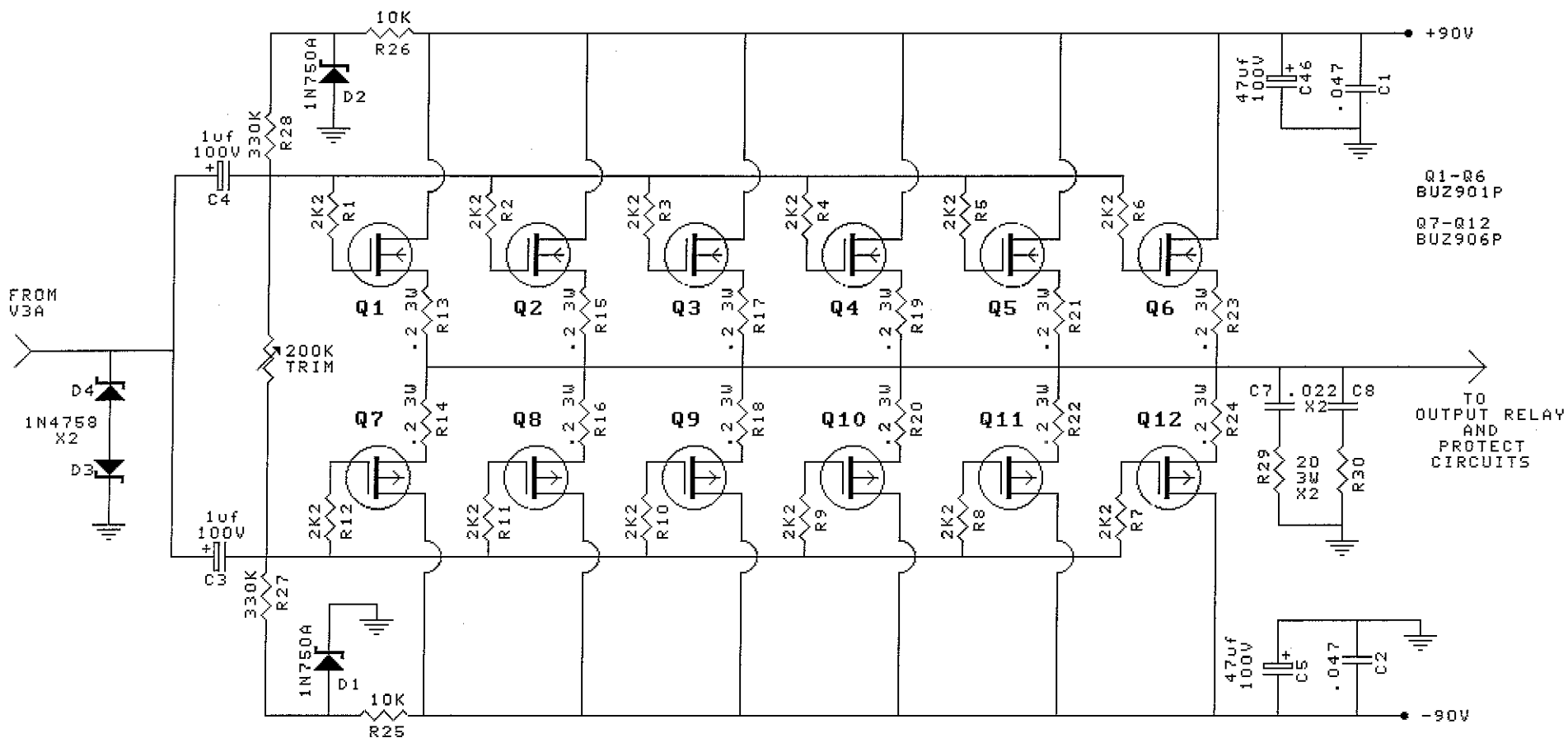
FILE: M2KDRIVE.S01
 DATE: 6/27/2004
 DRAWN BY: JOHN M
 PAGE: 10 OF 14
 BOARD REV: M2001-CX



MESA/BOOGIE M2000

POWER BLOCK

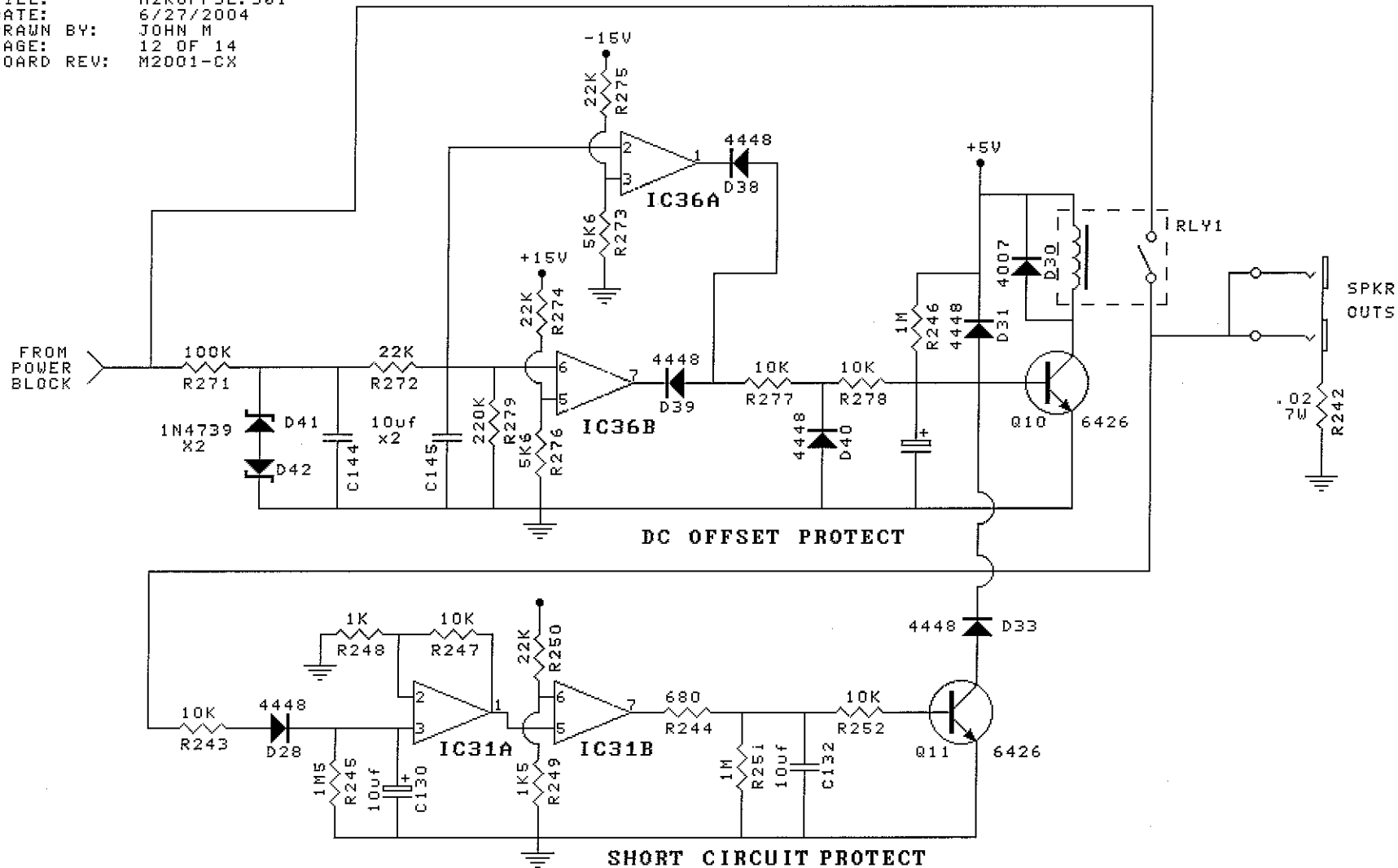
FILE: M2KPMR.S01
 DATE: 6/27/2004
 DRAWN BY: JOHN M
 PAGE: 11 OF 14
 BOARD REV: M2001-CX



MESA/BOOGIE M2000

OFFSET PROTECT CIRC.

FILE: M2KOFFSE.S01
 DATE: 6/27/2004
 DRAWN BY: JOHN M
 PAGE: 12 OF 14
 BOARD REV: M2001-CX

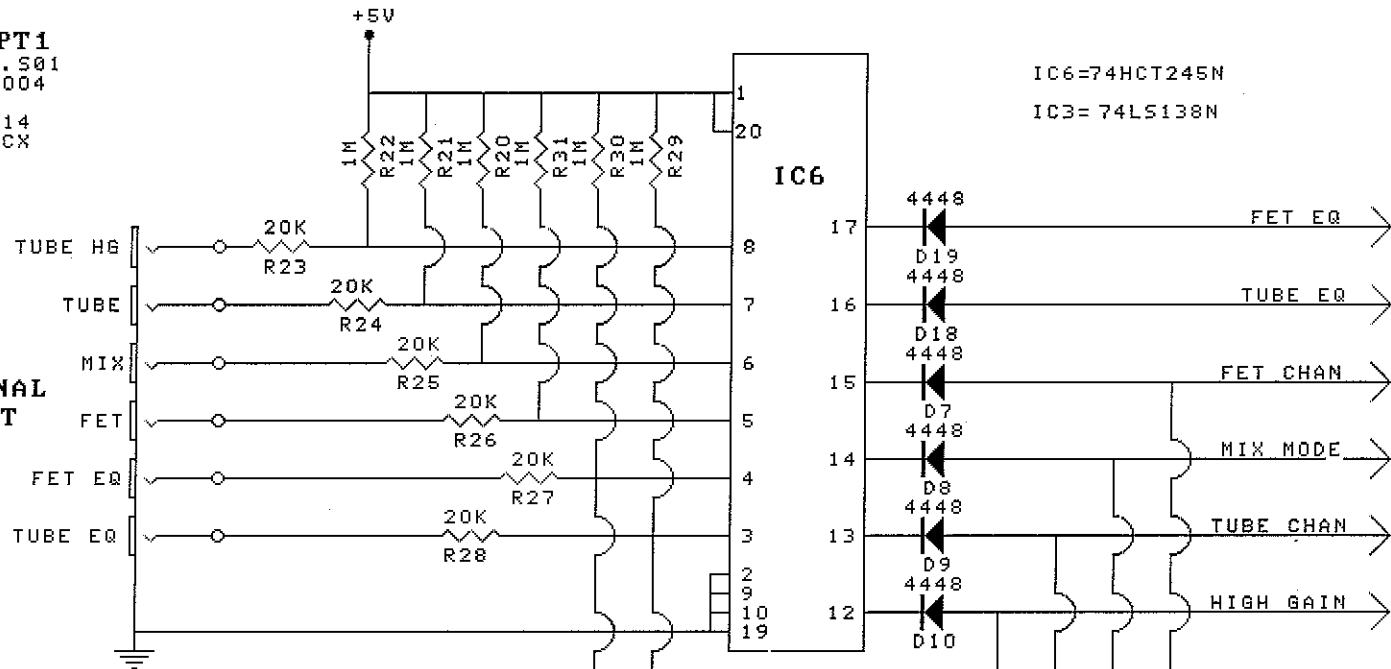


MESA/BOOGIE M2000

SWITCH MATRIX PT1

FILE: M2KSM1.S01
DATE: 6/27/2004
DRAWN BY: JOHN M
PAGE: 13 OF 14
BOARD REV: M2001-CX

EXTERNAL SELECT



IC6=74HCT245N

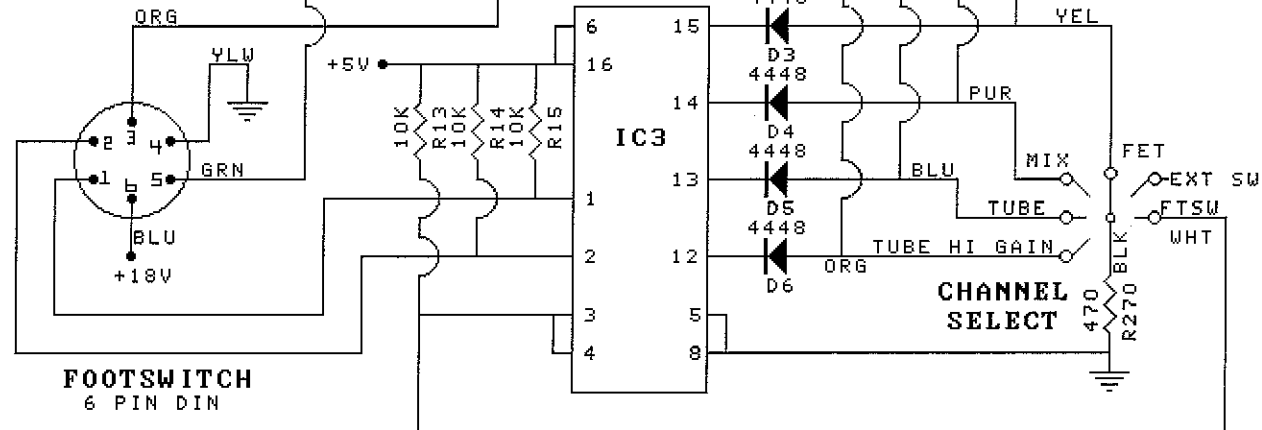
IC3=74LS138N

LDRS (ALL 5C9)

#	FUNCTION
1	TUBE HG
2	TUBE HG
3	TUBE HG PAD
4	TUBE EQ IN/OUT
5	TUBE EQ IN/OUT
6	FET EQ IN/OUT
7	FET EQ IN/OUT

TRANSISTORS

#	TYPE	FUNCTION
Q1	J175	TUBE IN
Q2	J175	FET IN
Q3	J175	FX MIX CONTROL
Q4	J175	
Q5	J175	
Q6	J175	FET OUT
Q7	J175	TUBE OUT
Q8	J175	MIX CONTROL
Q9	J175	LOOP RETURN
Q10	6426	PROTECT RELAY
Q11	6426	SHORT CIRC PROTECT
Q12	6426	(NOT USED)
Q13	6426	FET CLIP LED
Q14	J175	FET EQ OUT



FOOTSWITCH
6 PIN DIN

CHANNEL SELECT

MESA/BOOGIE M2000

SWITCH MATRIX PT2
 FILE: M2KSW2.S01
 DATE: 6/27/2004
 DRAWN BY: JOHN M
 PAGE: 14 OF 14
 BOARD REV: M2001-CX

