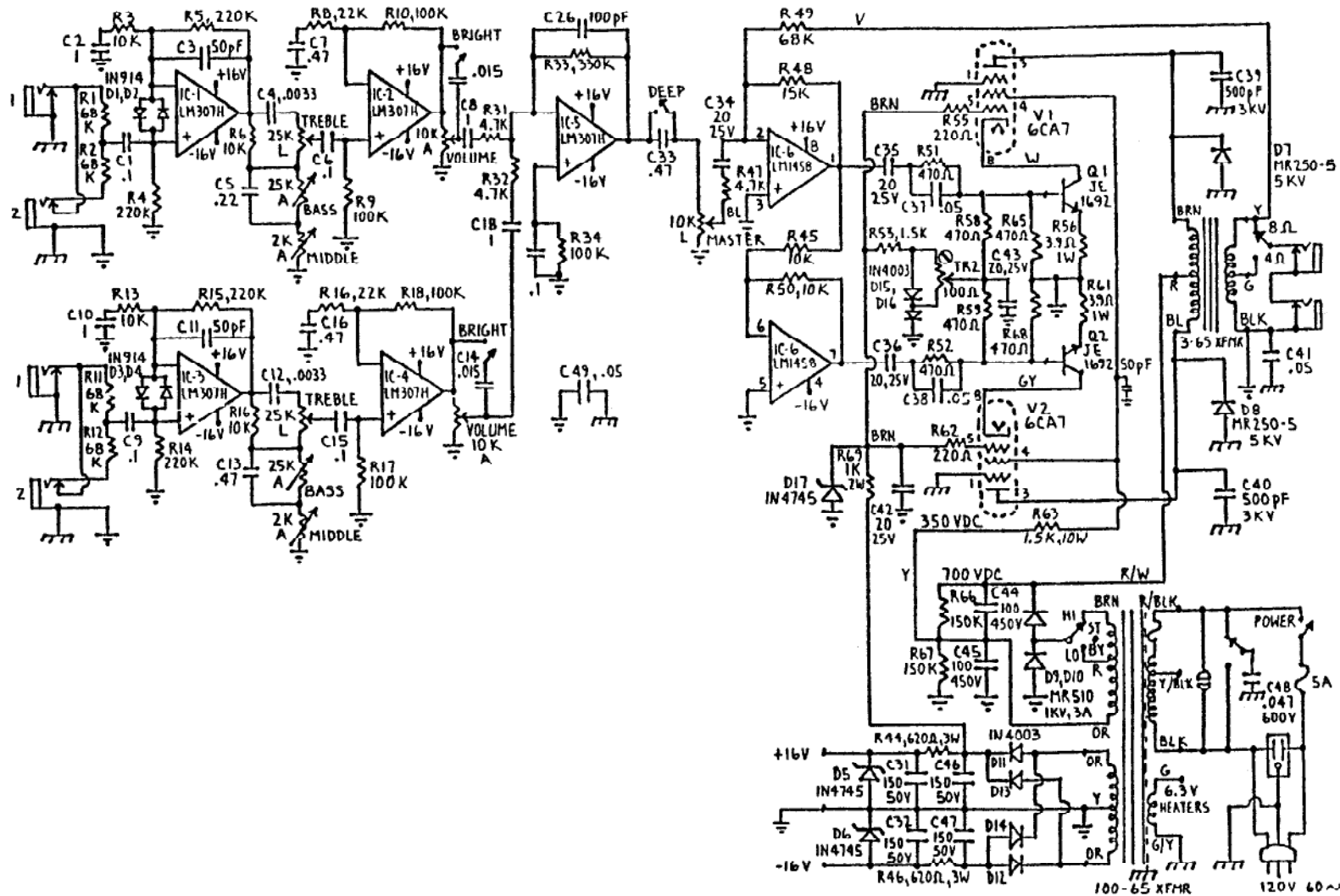


2100-65

Music Man

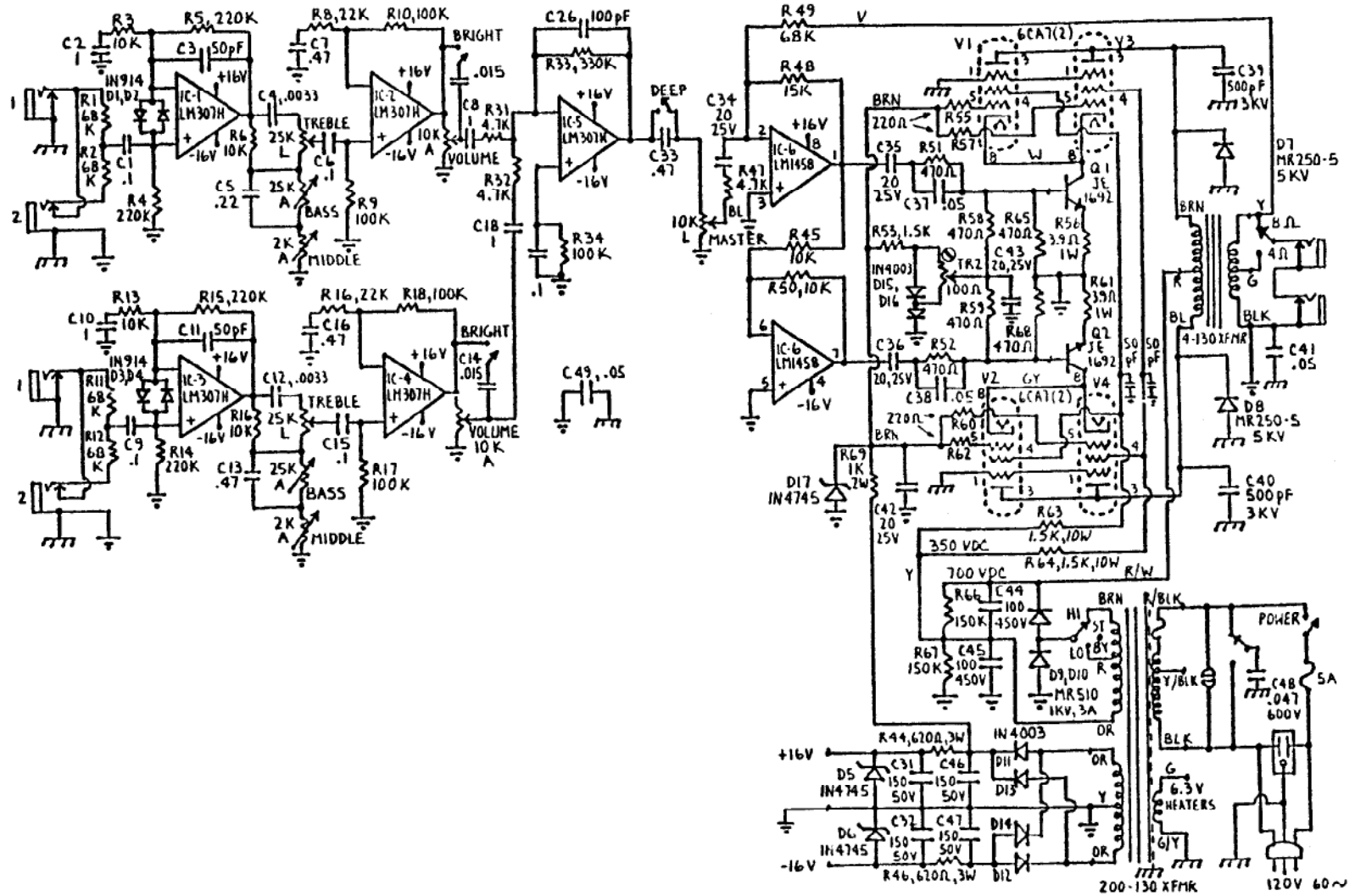


CHASSIS No 2100-65

MUSIC MAN INC.
ANAHEIM, CA.

2100-130

Music Man

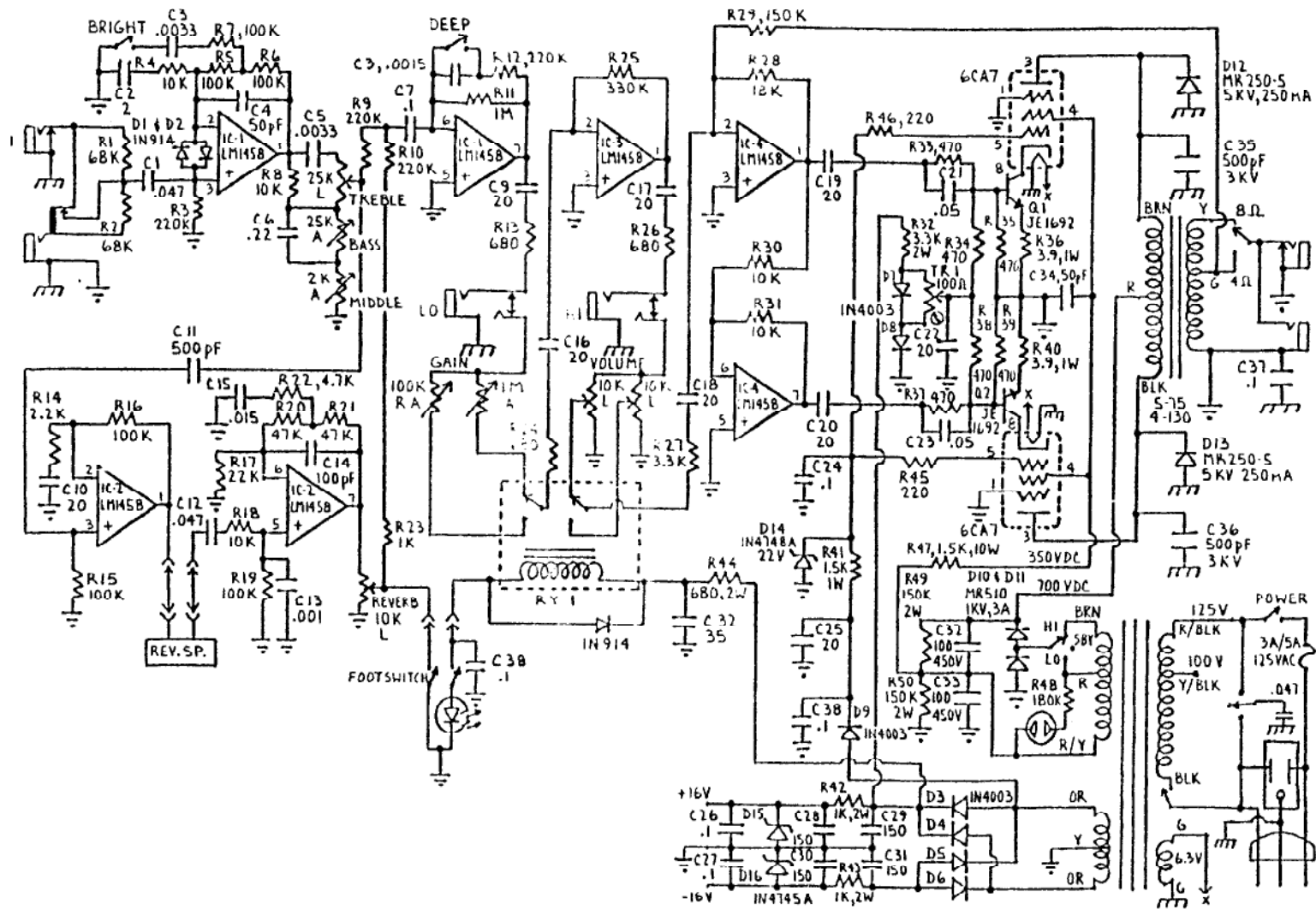


CHASSIS № 2100-130

MUSIC MAN INC.
ANAHEIM, CA.

2165-RD & 2100-RD

Music Man

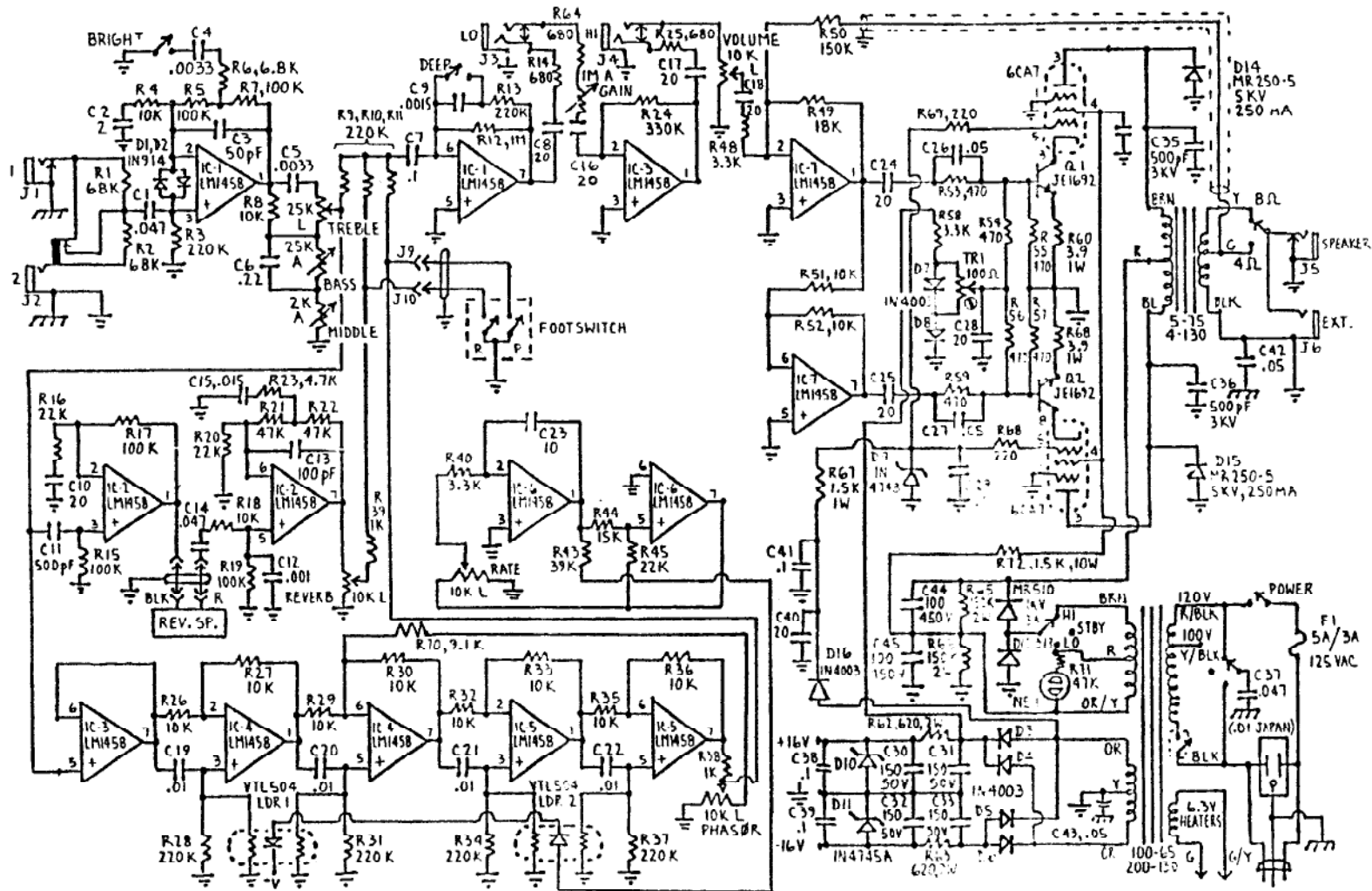


CHASSIS N^o 2165-RD & 2100-RD

MUSIC MAN INC.
ANAHEIM, CA.

2165-RP & 2100-RP

Music Man

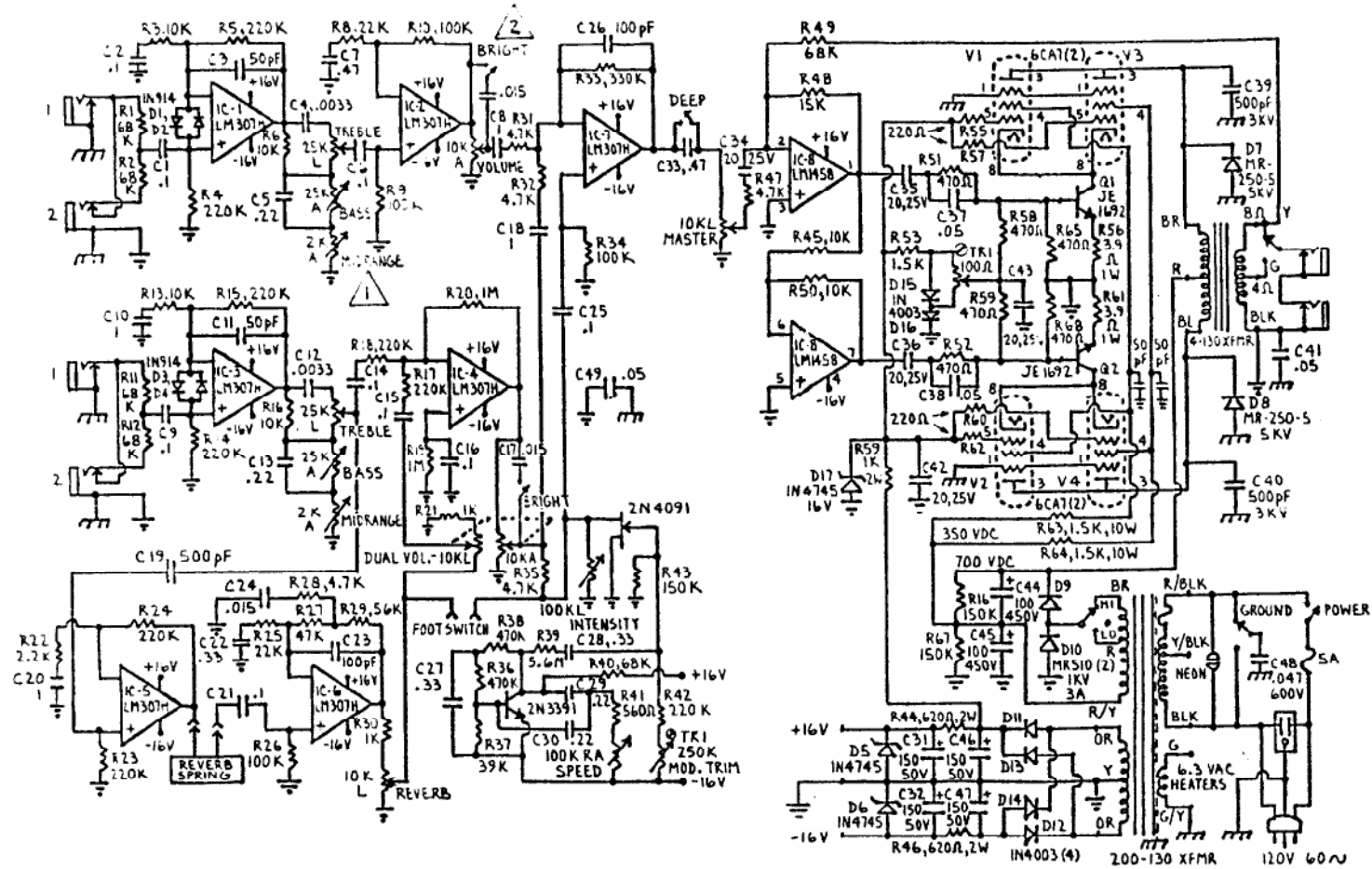


CHASSIS No 2165-RP & 2100-RP
(P.C. BOARD GP-2)

MUSIC MAN INC.
ANAHEIM, CA.

2470-130 & 2275-130

Music Man



⚠ ON 2275 CHASSIS, BRIGHT SWITCH & .015MF CAP. ARE ELIMINATED.

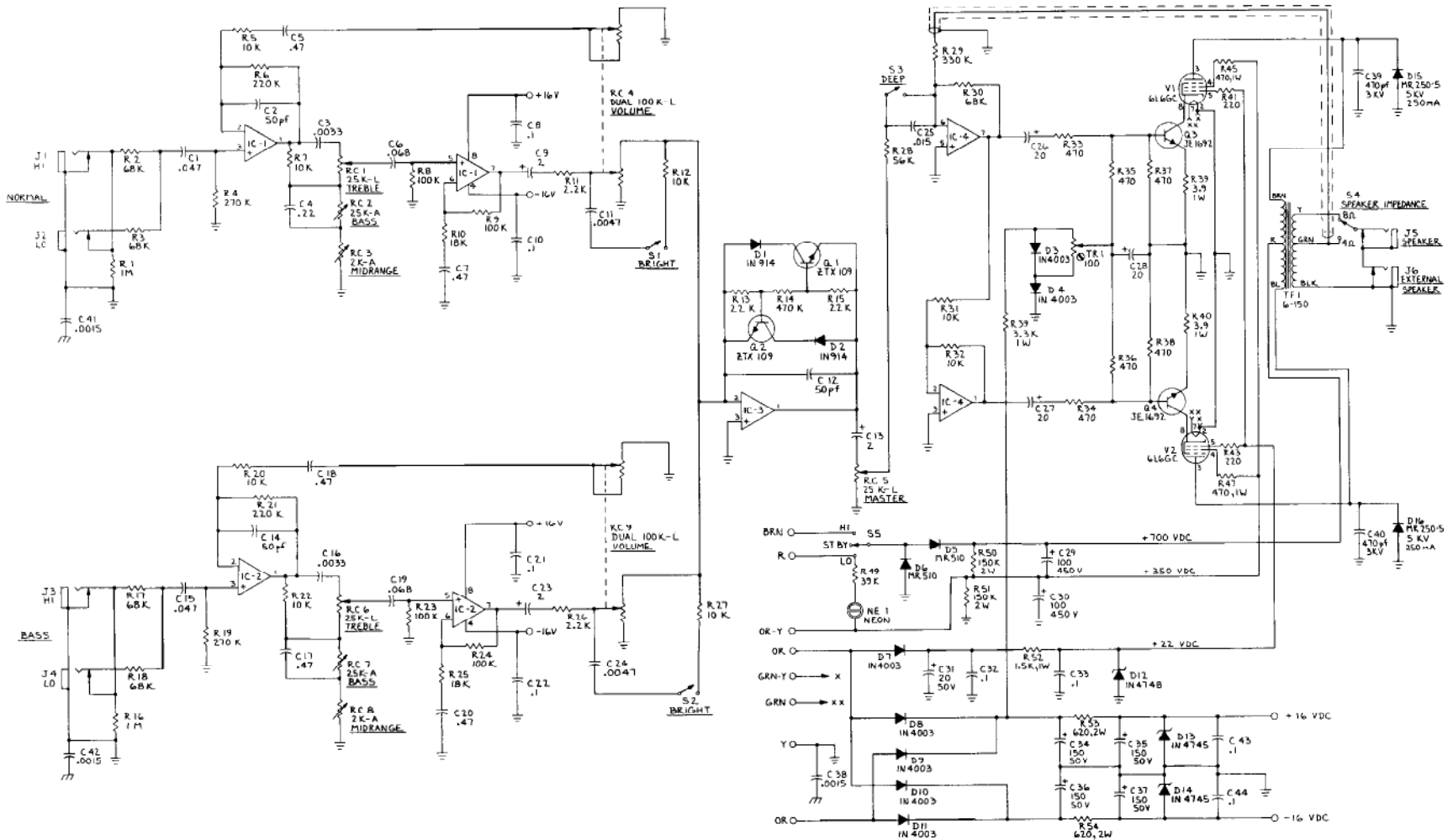
NOTE: ⚠ ON 2275 CHASSIS, MIDRANGE IS REPLACED BY 820Ω RESISTOR.

CHASSIS NO 2475-130
& 2275-130

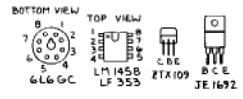
MUSIC MAN INC.
ANAHEIM, CA.

BB-3 (75w)

Music Man



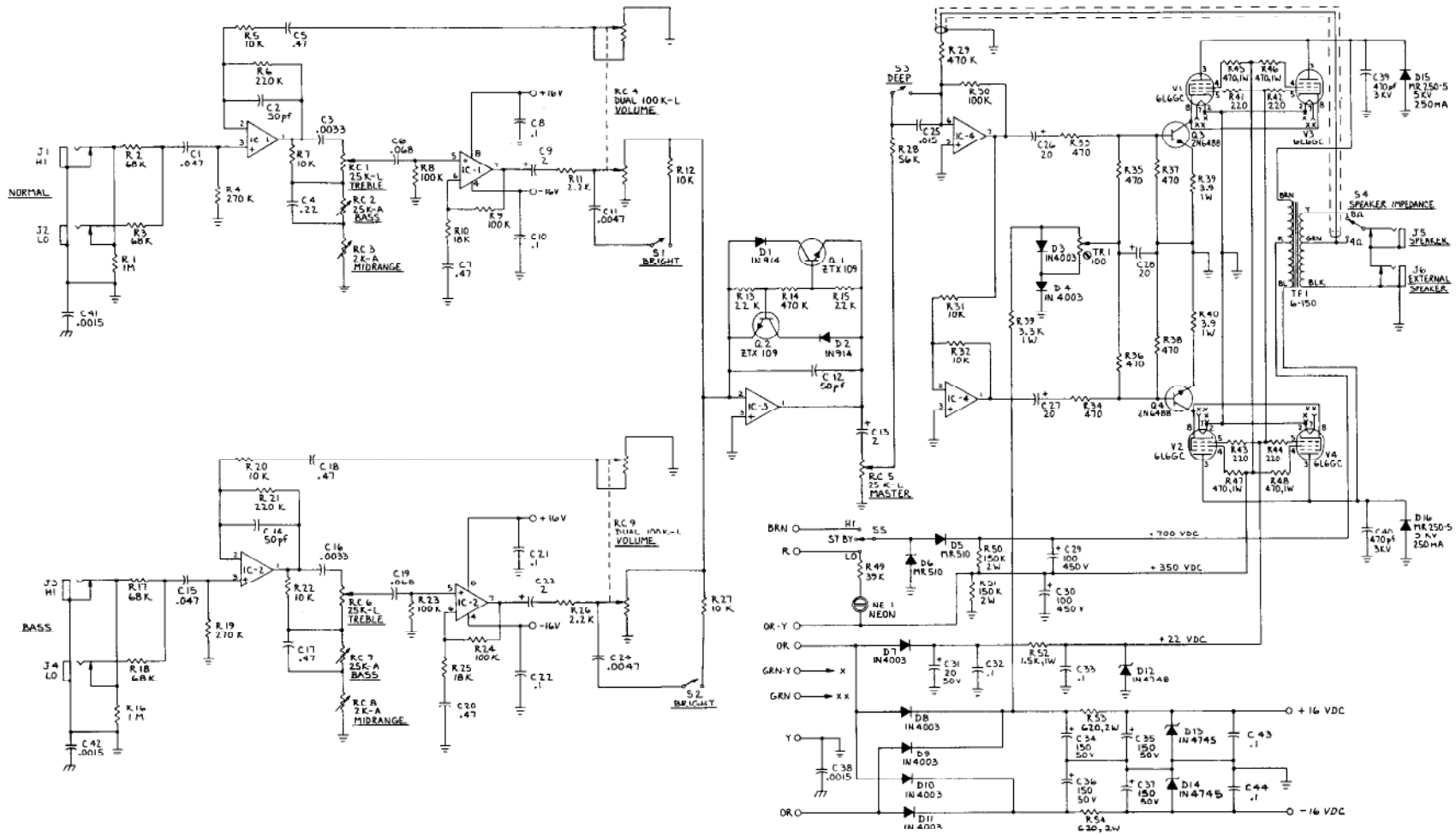
3. IC'S 1, 2, & 3 ARE LF 353 OR TL072; IC 4 IS LM145B.
 2. ALL CAPACITANCE VALUES ARE IN MICROFARADS (UF) EXCEPT WHERE NOTED.
 NOTE: 1. ALL RESISTANCE VALUES ARE IN OHMS (Ω), ¼WATT, EXCEPT WHERE NOTED.



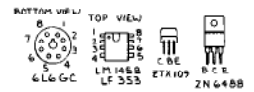
| | | | |
|----------|----------|--|---------------|
| DRAWN | McCauley | MUSIC MAN INC. | ANAHEIM, CA. |
| CHECKED | McCauley | SCHEMATIC DIAGRAM - BB-3 AMPLIFIER, 75 W | |
| DESIGNED | McCauley | | |
| APPROVED | McCauley | SCALE | DWG. NO. 7002 |
| APPROVED | McCauley | SHEET 1 OF 1 | REV. |

BB-3 (150w)

Music Man



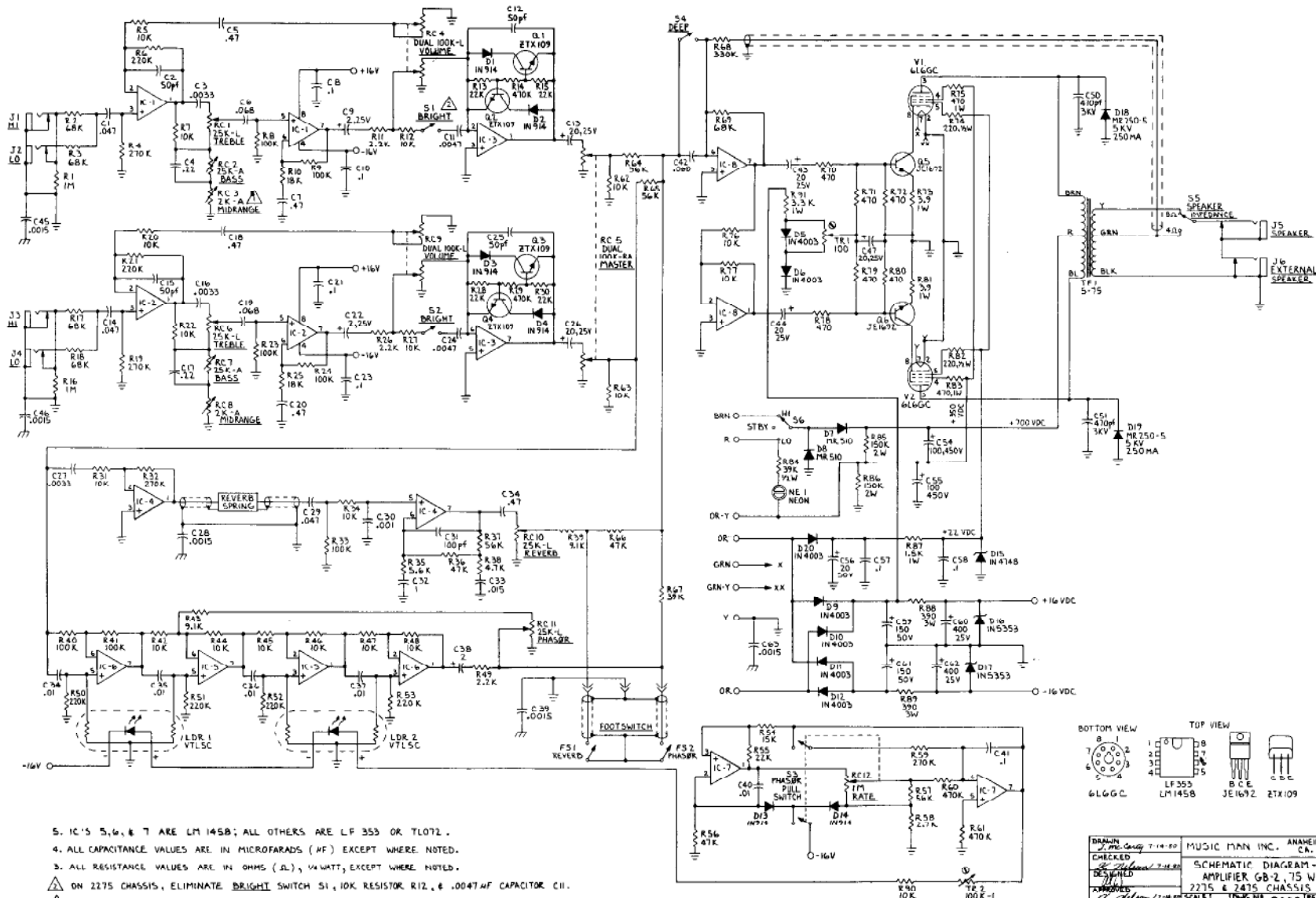
3. IC'S 1, 2, & 3 ARE LF 353 OR TL072; IC 4 IS LM 1458.
 2. ALL CAPACITANCE VALUES ARE IN MICROFARADS (µF) EXCEPT WHERE NOTED.
 NOTE: 1. ALL RESISTANCE VALUES ARE IN OHMS (Ω), ¼ WATT, EXCEPT WHERE NOTED.



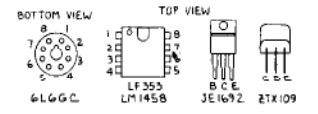
| | |
|------------------------------|--|
| DRAWN M. C. G. 11-7-80 | MUSIC MAN INC. ANAHEIM, CA. |
| CHECKED J. H. G. 11-7-80 | SCHEMATIC DIAGRAM - BB-3 AMPLIFIER, 150W |
| DESIGNED M. C. G. | |
| APPROVED M. C. G. 11-7-80 | SCALE |
| APPROVED M. C. G. 11-7-80 | DWG. NO. 7001 |
| | SHEET 1 OF 1 |

GB-2 (2275 & 2475 CHASSIS)

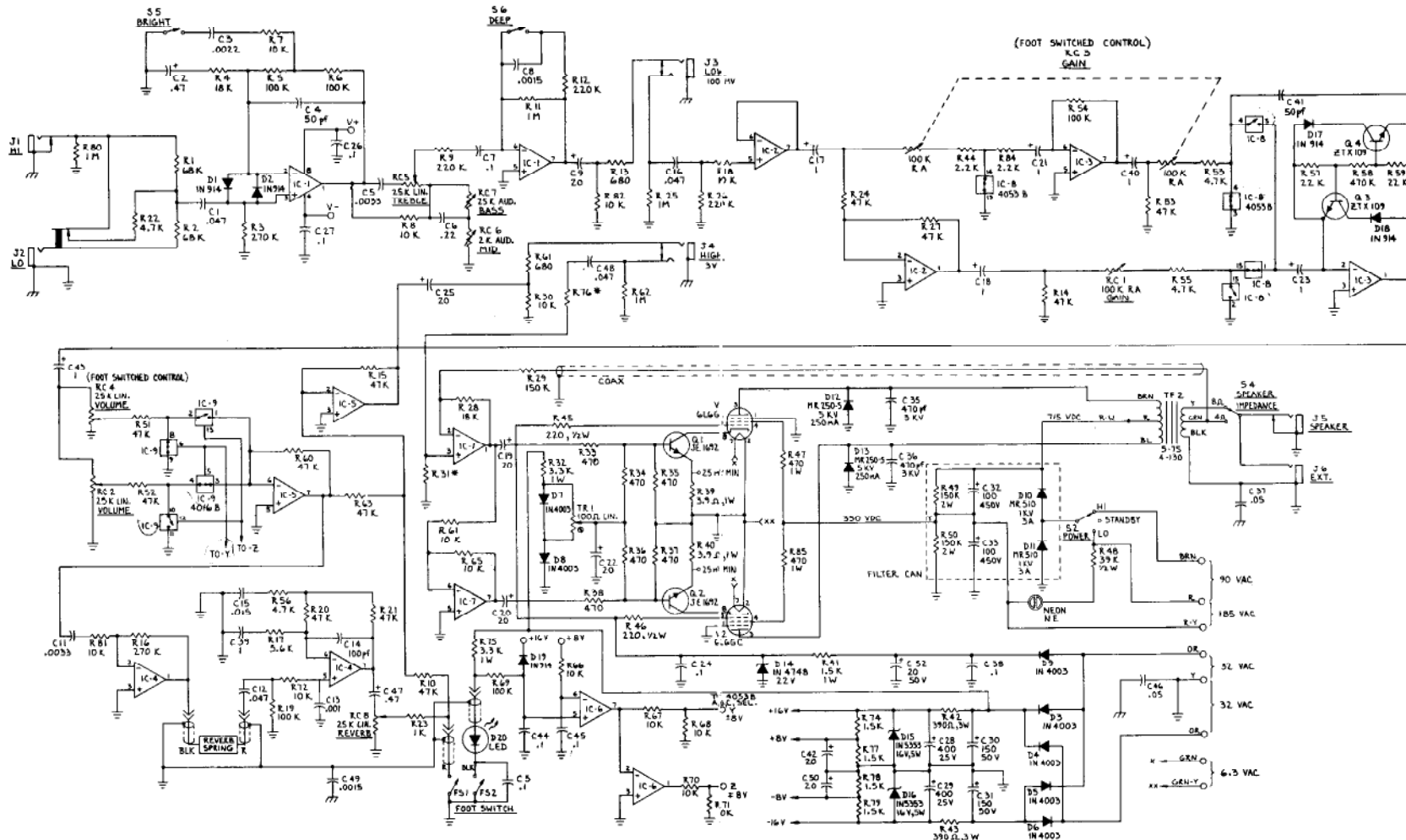
Music Man



- 5. IC'S 5, 6, & 7 ARE LM 1458; ALL OTHERS ARE LF 353 OR TL072.
- 4. ALL CAPACITANCE VALUES ARE IN MICROFARADS (MF) EXCEPT WHERE NOTED.
- 3. ALL RESISTANCE VALUES ARE IN OHMS (Ω), 1/4 WATT, EXCEPT WHERE NOTED.
- ▲ ON 2275 CHASSIS, ELIMINATE BRIGHT SWITCH S1, 10K RESISTOR R12, & .0047µF CAPACITOR C11.
- NOTE: ▲ ON 2275 CHASSIS, REPLACE MIDRANGE CONTROL RC3 WITH 820 Ω RESISTOR.



| | |
|---|---|
| DRAWN J. M. Gentry 7-14-80 CHECKED J. M. Gentry 7-14-80 DESIGNED J. M. Gentry 7-14-80 APPROVED J. M. Gentry 7-14-80 DATE 7-14-80 | MUSIC MAN INC. ANAHEIM, CA. SCHEMATIC DIAGRAM - AMPLIFIER GB-2, 7.5 W 2275 & 2475 CHASSIS SCALE DRAWING B002 REV. SHEET 1 OF 1 |
|---|---|



| COMPONENT VALUES | |
|------------------|-------------|
| R.31 | 55 W 100 W |
| R.31 | 150 K 220 K |
| R.76 | 56 K 22 K |

4. IC-1, IC-3, IC-4 ARE LF 353 OR TL072 OP AMPS.
 5. IC-2, IC-5, IC-6, IC-7 ARE LM 1458 OP AMPS.
 2. ALL CAPACITANCE VALUES ARE IN MICROFARADS (MF) EXCEPT WHERE NOTED.
- NOTE: 1. ALL RESISTANCE VALUES ARE IN OHMS (Ω) EXCEPT WHERE NOTED.

BOTTOM VIEW



TOP VIEW



TOP VIEW



TOP VIEW



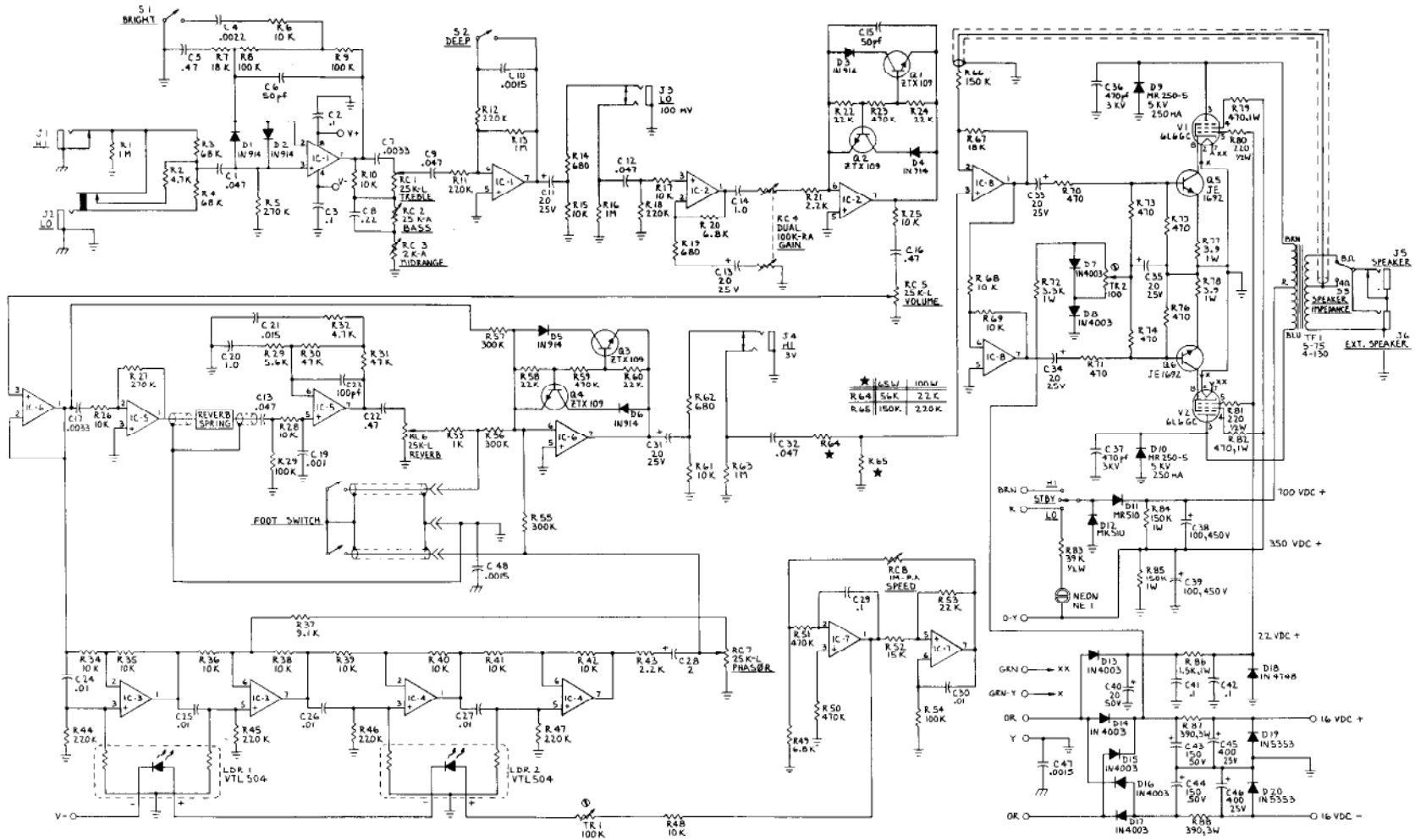
TOP VIEW



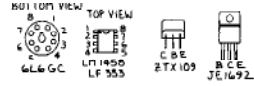
TOP VIEW



| | | |
|----------|------------------|----------------------------|
| DRAWN | J. M. G. 6-11-80 | MUSIC MAN INC. AMMERS, CA. |
| CHECKED | J. M. G. 6-11-80 | SCHMATIC DIAGRAM - |
| DESIGNED | J. M. G. 6-11-80 | RD AMPLIFIER GD-2A |
| APPROVED | J. M. G. 6-11-80 | |
| APPROVED | | SCALE: MAG. 5001 |
| | | SHEET 1 OF 1 |

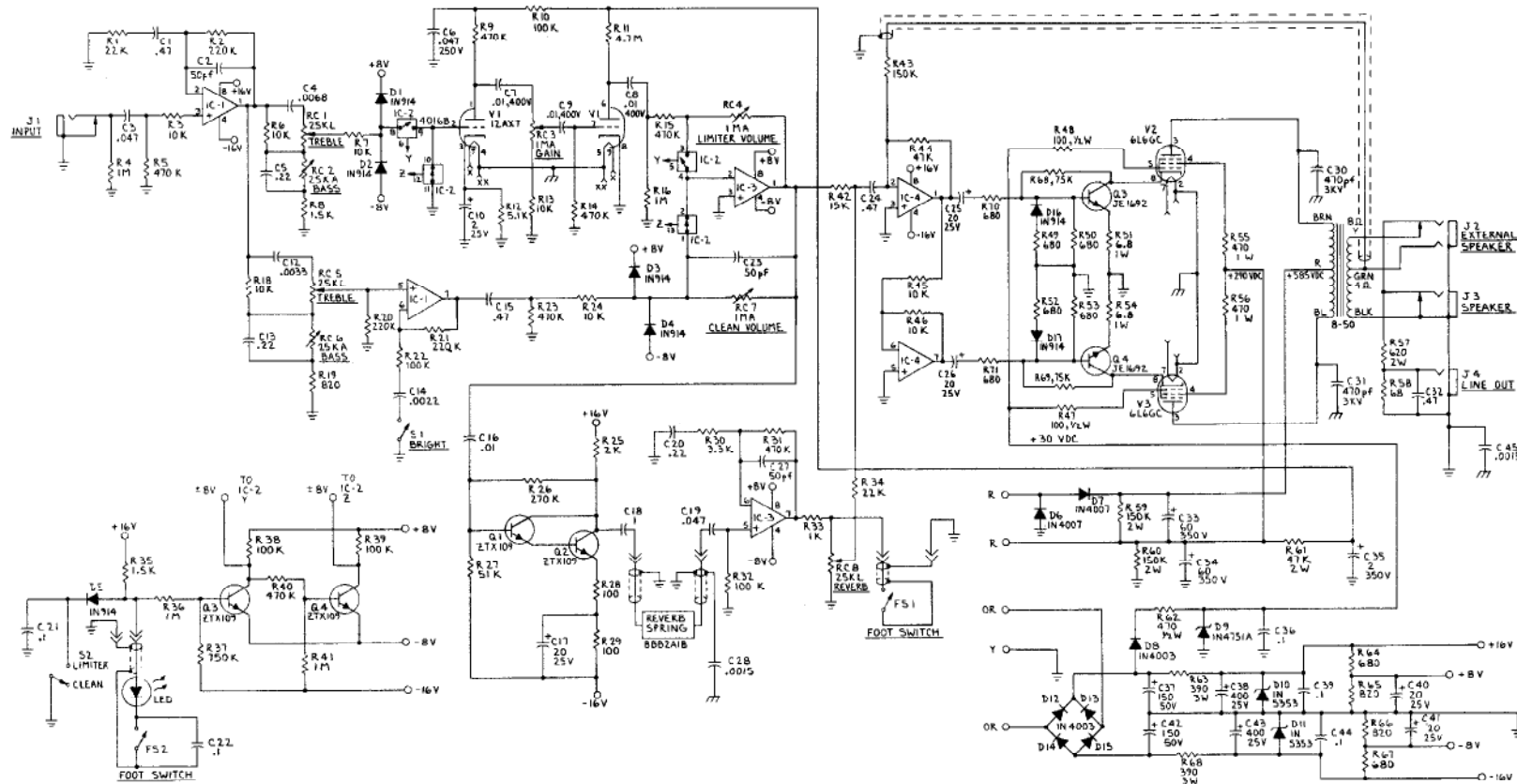


3. IC'S 1,2,5,6,6 ARE LF 353. ALL OTHERS ARE LM 1458.
 2. ALL CAPACITANCE VALUES ARE IN MICROFARADS (UF) EXCEPT WHERE NOTED.
 NOTE: 1. ALL RESISTANCE VALUES ARE IN OHMS (Ω) EXCEPT WHERE NOTED.

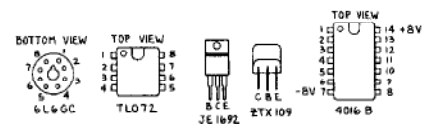


| | |
|-----------------------------|---|
| DRAWN J. McCarty 6-27-76 | MUSIC MAN INC. ANAHEIM, CA. |
| CHECKED J. Allen | SCHEMATIC DIAGRAM RP AMPLIFIER GP-3A |
| DESIGNED J. Allen | SCALE 6001 |
| APPROVED J. Allen | DWG. NO. 6001 |
| DATE 7-1-76 | SHEET 1 OF 1 |

| REVISION | TIME | DATE |
|----------|---------|----------|
| 1 | 1:00 PM | 11-14-68 |
| 2 | 1:00 PM | 11-14-68 |
| 3 | 1:00 PM | 11-14-68 |



5. +BV & -BV ARE NOMINAL; ACTUAL VOLTAGE MAY VARY ±1 VOLT.
 4. IC-2 IS 4016B.
 3. IC'S 1,3,4 ARE TL072.
 2. ALL CAPACITANCE VALUES ARE IN MICROFARADS (μF) EXCEPT WHERE NOTED.
 NOTE: 1. ALL RESISTANCE VALUES ARE IN OHMS (Ω), ¼ WATT, EXCEPT WHERE NOTED.



| | | |
|--------------------------|------------------|--------------------------------------|
| DESIGNED BY T. WALKER | DATE 11-14-68 | MUSIC MAN INC. AMHERST, MA. |
| CHECKED BY T. WALKER | DATE 11-14-68 | SCHEMATIC DIAGRAM RD-50 AMPLIFIER |
| APPROVED BY T. WALKER | DATE 11-14-68 | |
| SCALE | DWG. NO. 5004 | REV. B |
| SHEET 1 OF 1 | | |