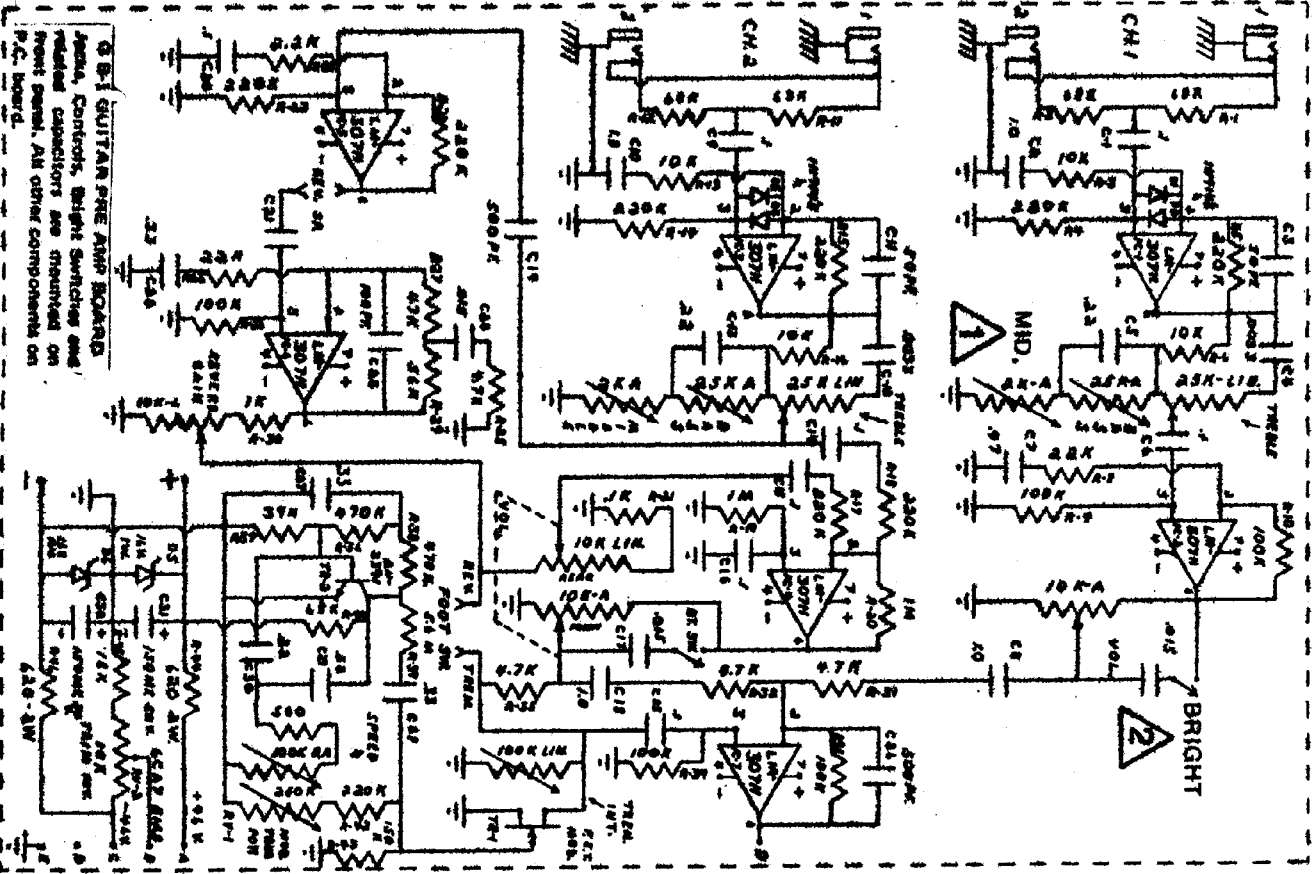




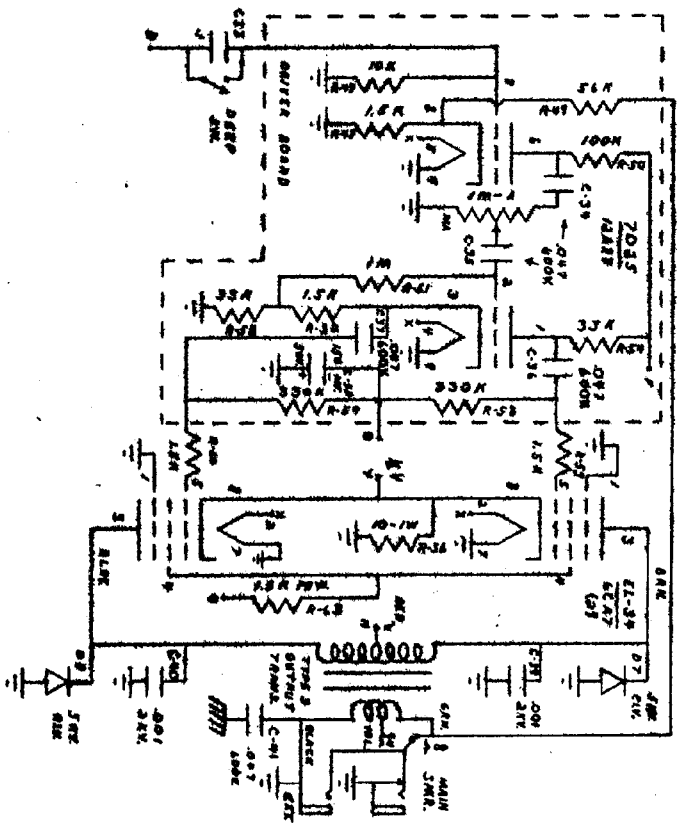
Amplifier Schematics

Chassis Numbers: 2475-65
2275-65

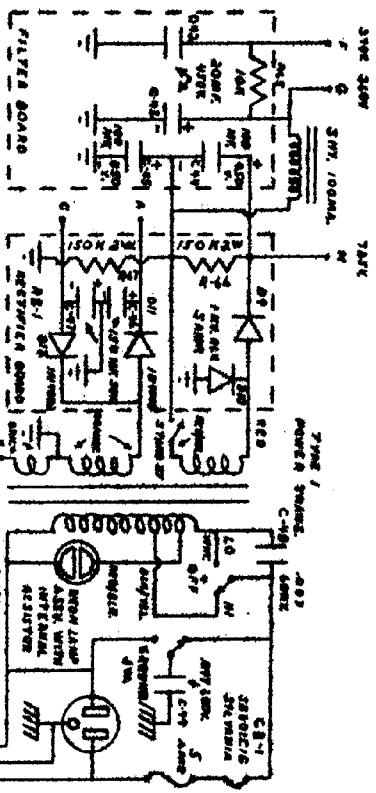
**ON 2275 CHASSIS, BRIGHT SWITCH & .016 CAP. ARE ELIMINATED.
ON 2275 CHASSIS, MIDRANGE IS REPLACED BY 820Ω RESISTOR.**



Q-B-1 SUITABLE AMP BOARD
Jacks, Controls, Bright Switches and related capacitors are mounted on front panel. All other components on P.C. board.

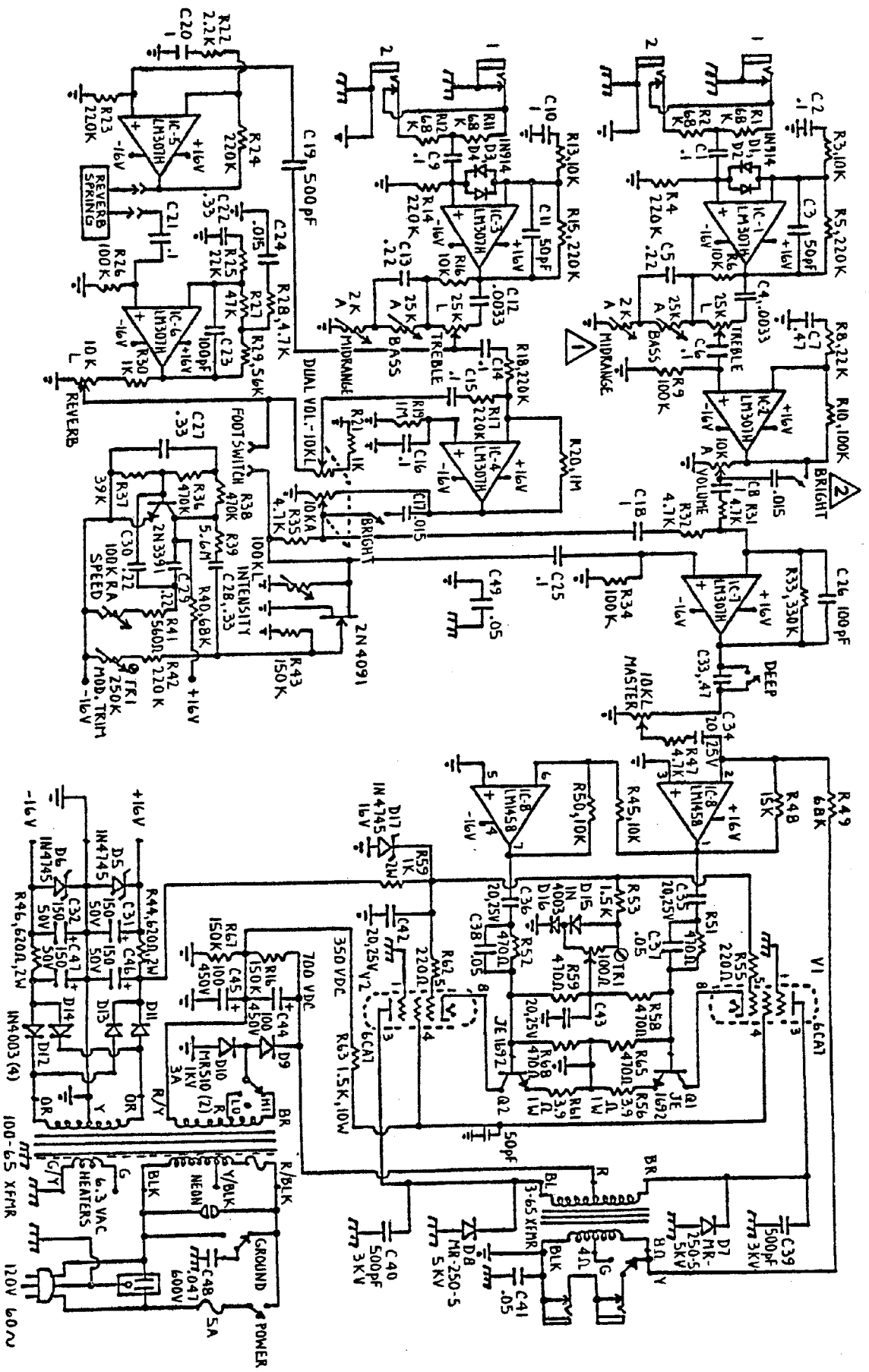


MUSIC MAN, INC. ANAHEIM, CALIFORNIA



CAUTION: 725 VOLTS PRESENT

1. Make certain high voltage capacitors are discharged before servicing. If in doubt short point "Y" to ground.
2. All voltages measured with zero signal and power switch in high power position.
3. Unless designated otherwise capacitors are in mfd. and resistors 1/2 watt 10%. Adjust B/C/V bias with pot so that exactly 1/2 volt is read at point "Y" (zero signal).



NOTE: ON 2275 CHASSIS, BRIGHT SWITCH & REPLACED BY 820Ω RESISTOR.

CHASSIS № 2475 - 65

№ 2275 - 65

MUSIC MAN INC.
ANAHEIM, CA.