

1. INTRODUCTION

This document contains the technical service information for the MusiMan HD-500 Bass Amplifier. (Edition 1).

All HD-500 amplifiers feature the following:

- 2 input (IN1 and IN2) with sensibility difference of 10 dB;
- Tube Gain Stage (45dB)
- Variable Direct XLR Output (selectable pre or post EQ)
- Send/Return Effects Loop
- Tuner Output
- Switchable Mute (of Power output and Direct output)
- Two EQ channels Bass 100Hz, Middle 400 Hz, Mid/High 800 Hz, Treble 12.5KHz)
- Loudspeaker Varying Response (LVR)
- Master Volume
- Limiter with selectable release time (Min, Max)

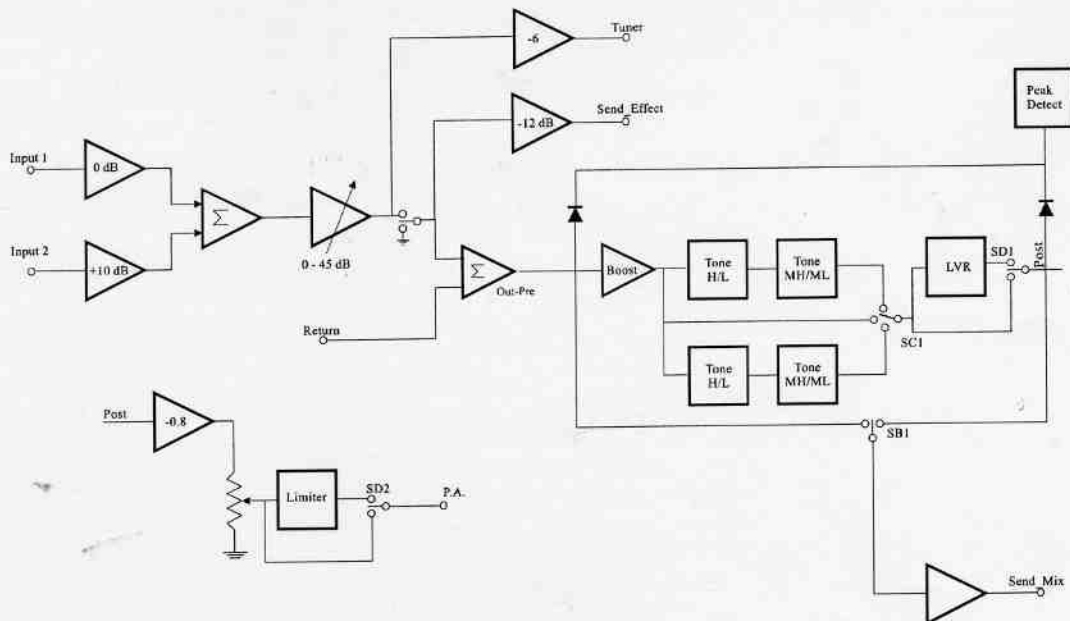


Figure 1 – Block Diagram

3. SCHEMATICS

In the following pages the schematics diagrams of the product are drawn.

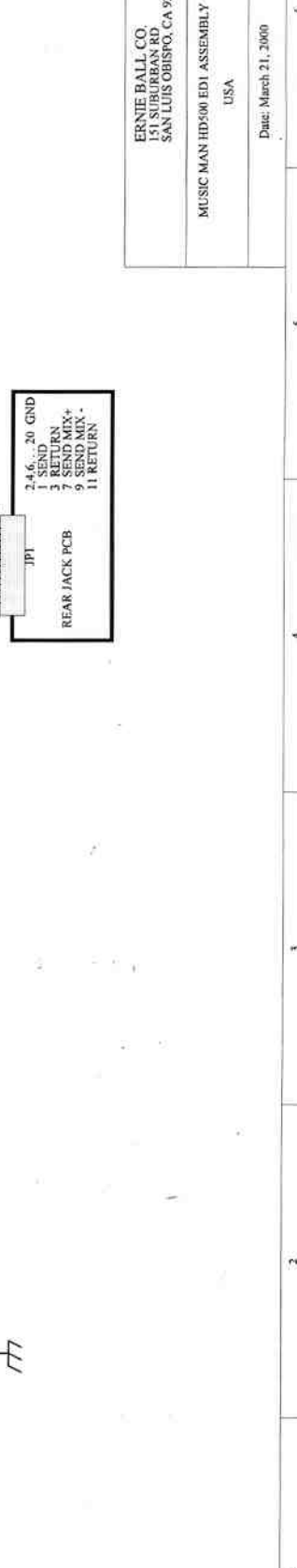
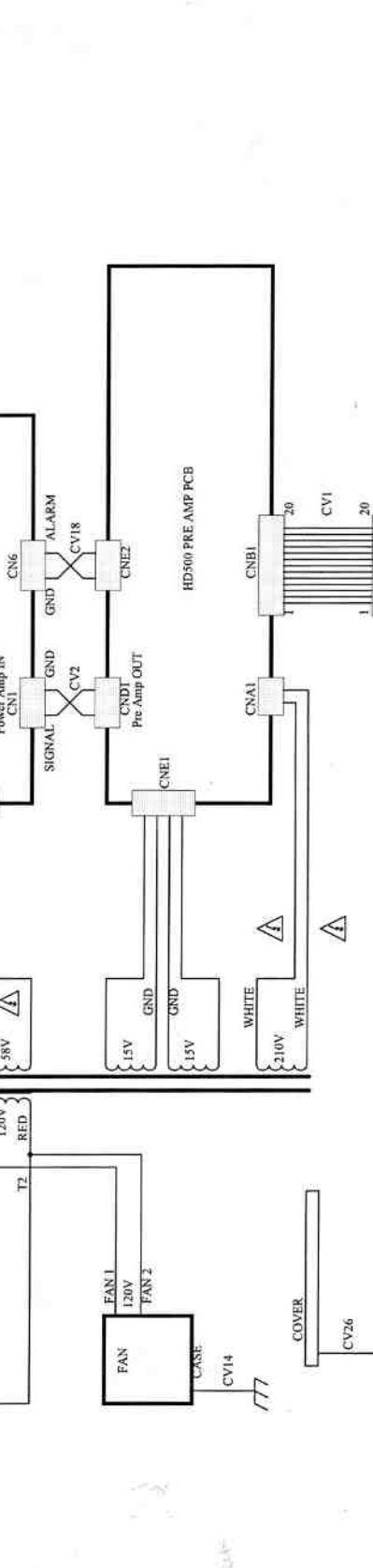
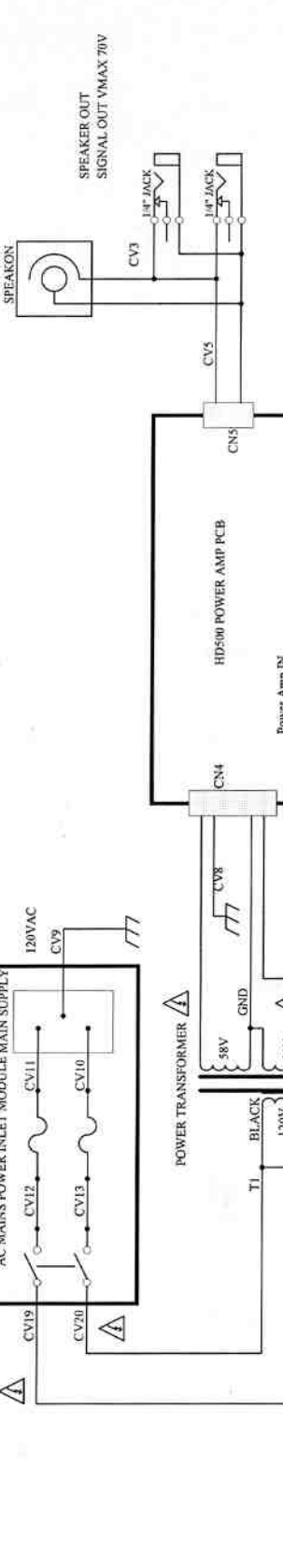
The first schematic is related to the whole equipment.

The following schematics are related to the PRE-HD500 and are shared into 5 sheet:

- Sheet1: Tube Gain and high voltage supply
- Sheet2: Send
- Sheet3: Equalizer
- Sheet4: LVR and Limiter
- Sheet5: Low voltage Supply

The last schematics are the Power Amplifier and the foot-switch.

USA FUSES: 6.3 AMP GMA "T" TYPE - SLO BLO



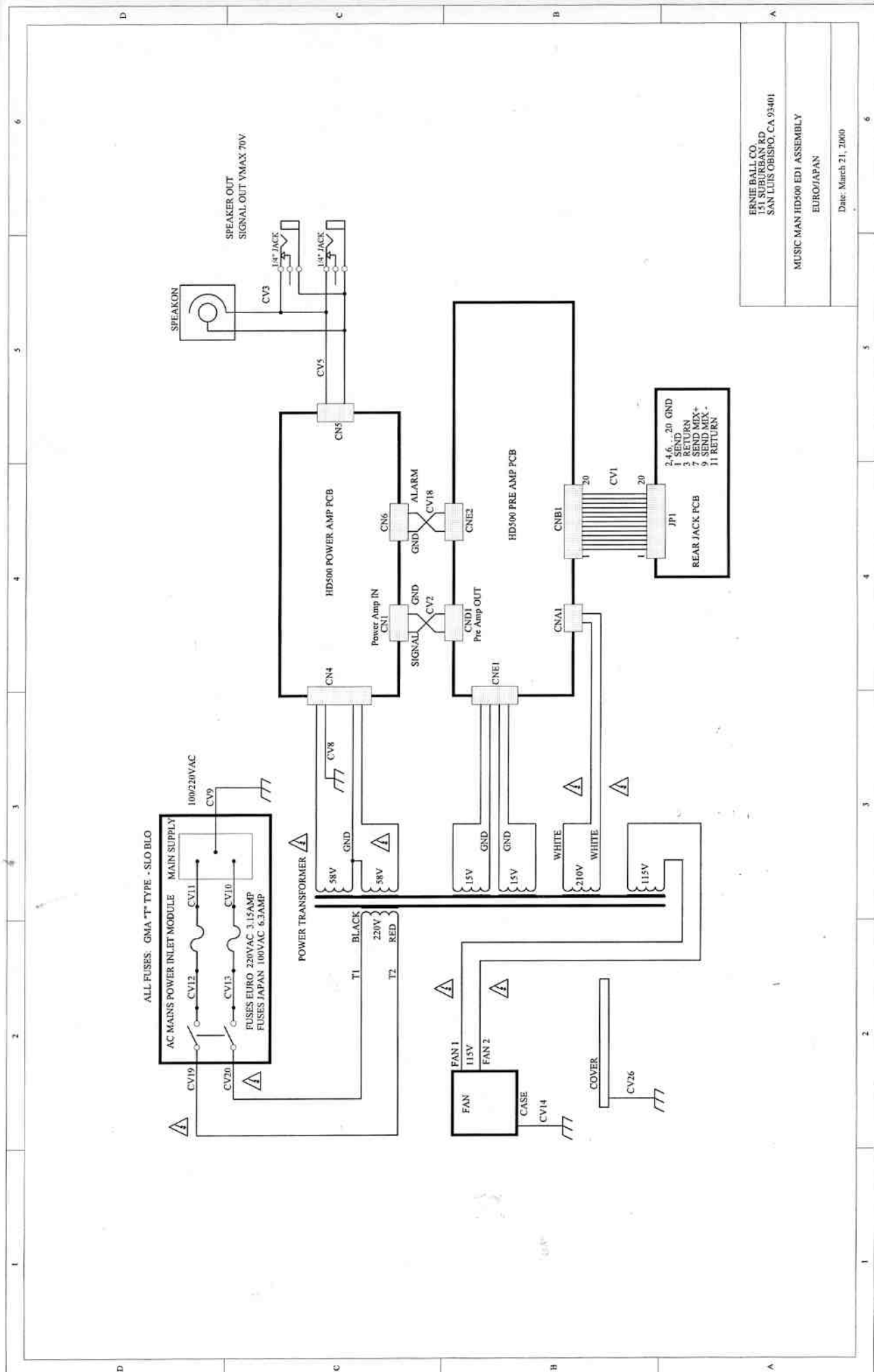
- 2 4 6 20 GND
- 1 SEND
- 3 RETURN
- 7 SEND MIX+
- 9 SEND MIX-
- 11 RETURN

ERNIE BALL CO.
 151 SUBURBAN RD.
 SAN LUIS OBISPO, CA 95401

MUSIC MAN HD500 ED1 ASSEMBLY

USA

Date: March 21, 2000



ERNIE BALL CO
 151 SUBURBAN RD
 SAN LUIS OBISPO, CA 93401

MUSIC MAN HD500 EDI ASSEMBLY
 EURO/JAPAN

Date: March 21, 2060

2+6, 20 GND
 3 RETURN
 7 SEND MIX+
 9 SEND MIX-
 11 RETURN

ALL FUSES: GMA "T" TYPE - SLO BLO
 AC MAINS POWER INLET MODULE MAIN SUPPLY
 100/220VAC
 CV19 CV20
 CV11 CV12 CV13 CV10
 FUSES EURO 220VAC 3.15AMP
 FUSES JAPAN 100VAC 6.3AMP

POWER TRANSFORMER
 T1 BLACK 220V
 T2 RED

FAN 1
 FAN 2
 CASE
 CV14

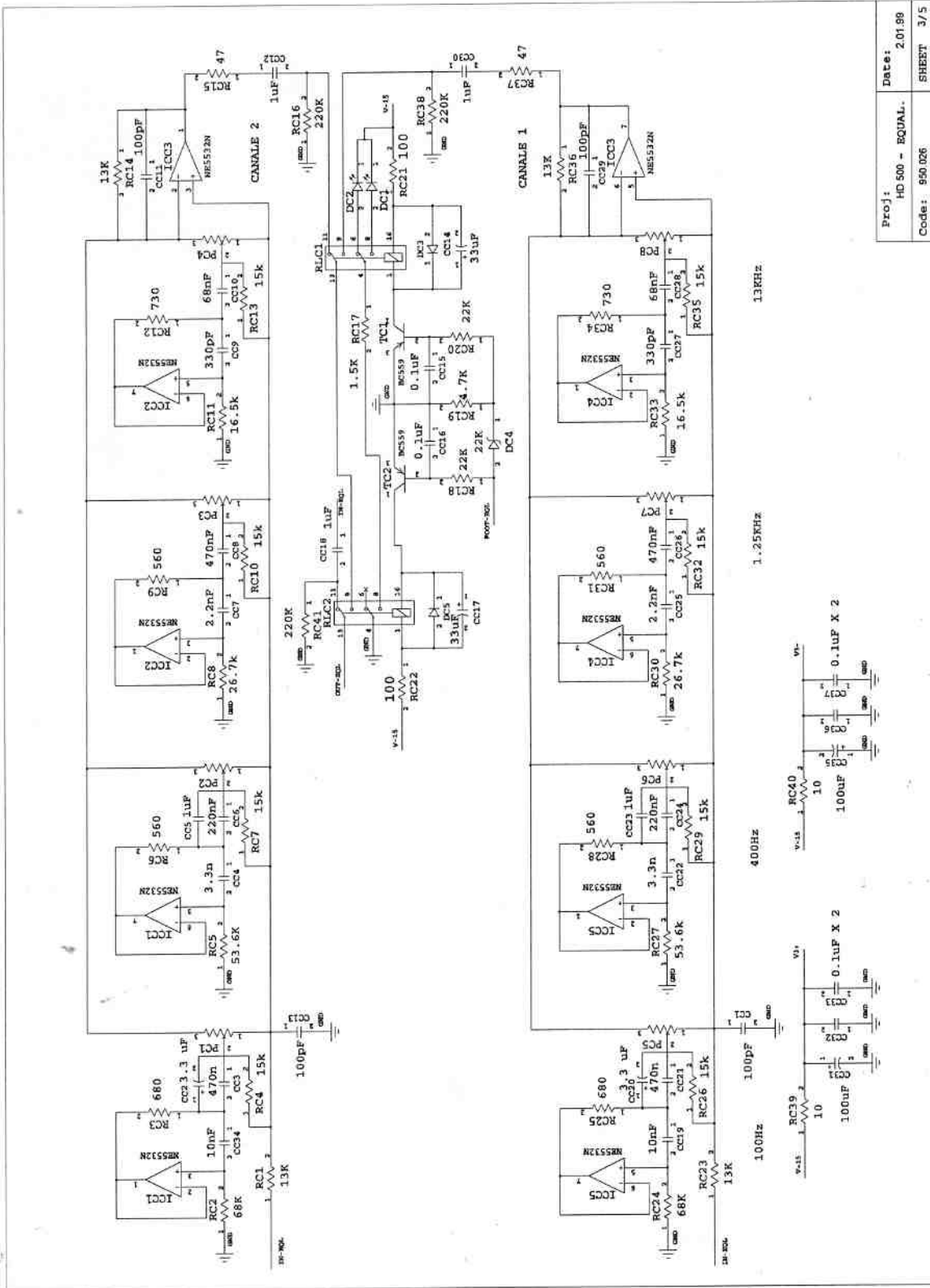
COVER
 CV26

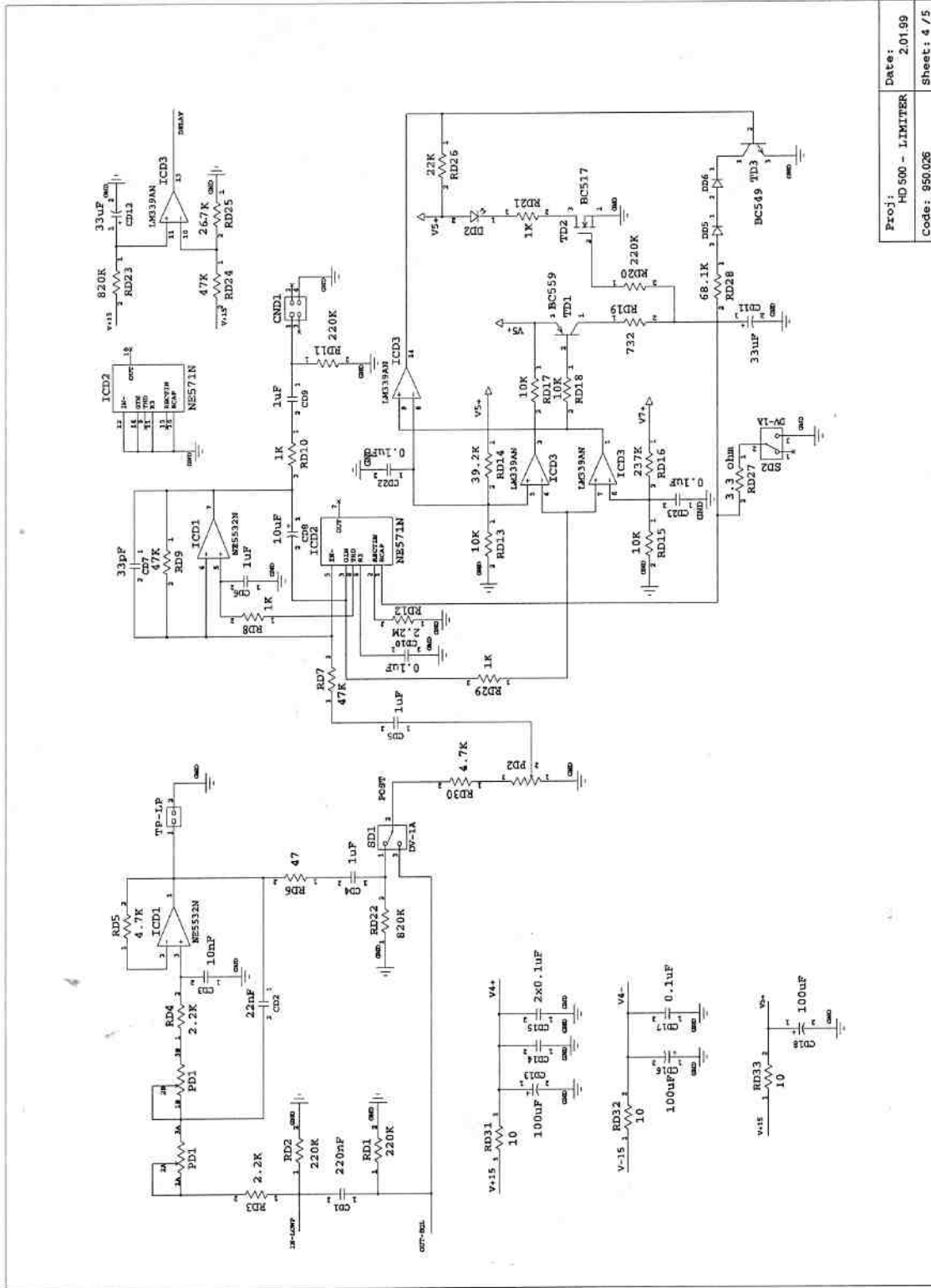
HD500 POWER AMP PCB
 CN4 CN5
 Power Amp IN
 SIGNAL GND CV2
 GND ALARM
 CN6 CV18
 GND CNE2

HD500 PRE AMP PCB
 CNE1 CNA1
 Pre Amp OUT
 CNB1 CV1

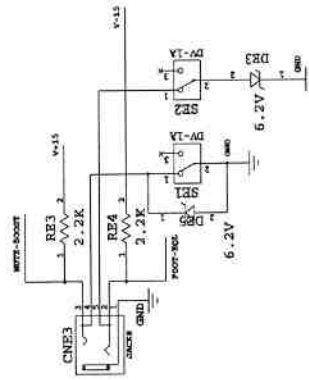
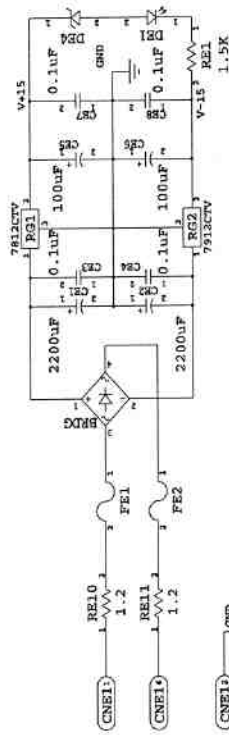
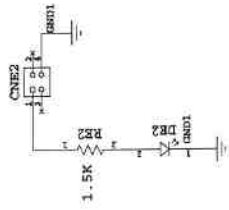
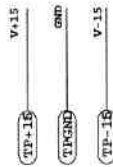
REAR JACK PCB
 JP1

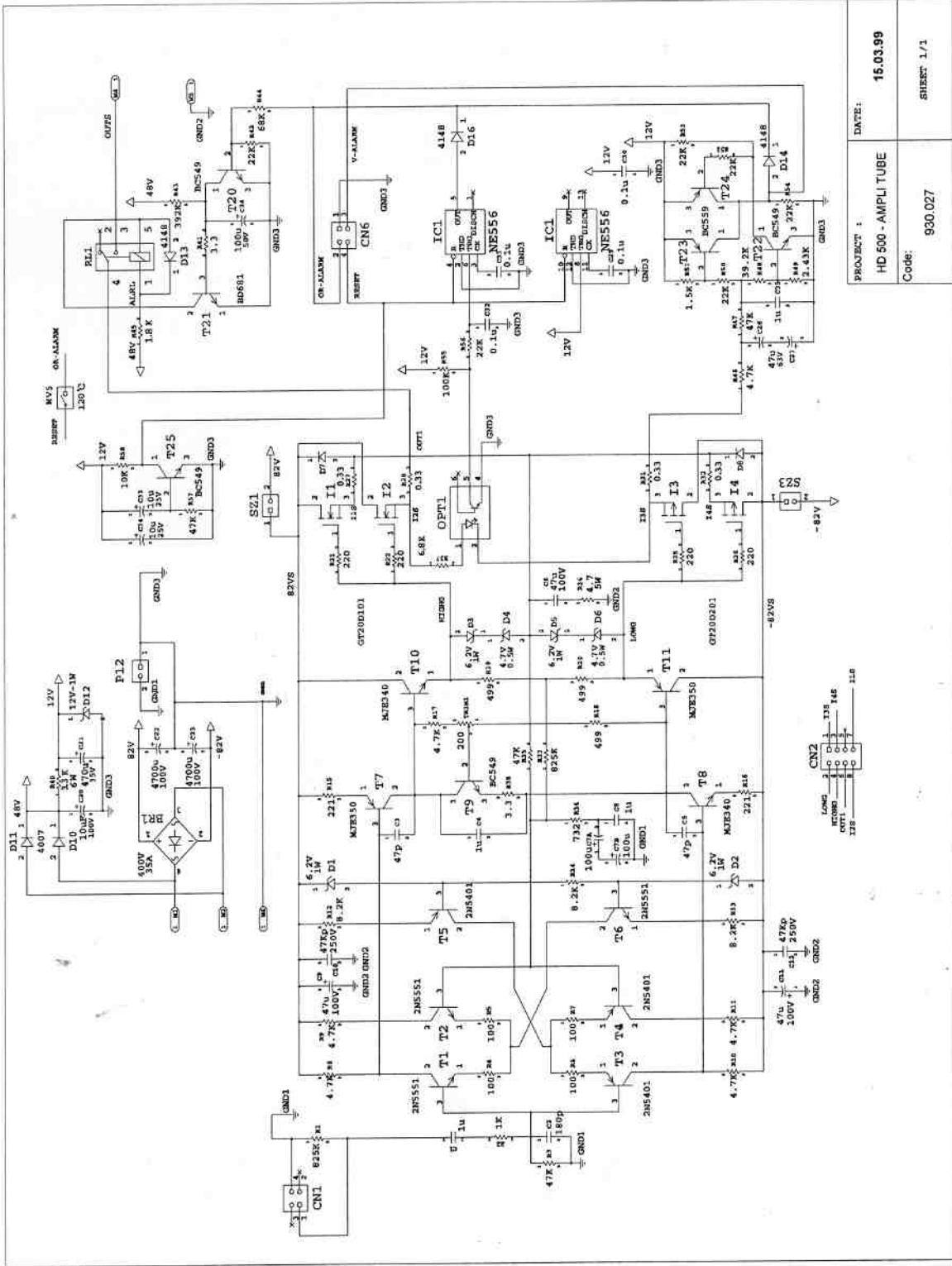
SPEAKON
 SPEAKER OUT
 SIGNAL OUT Y MAX 70V
 CV3 14" JACK 14" JACK



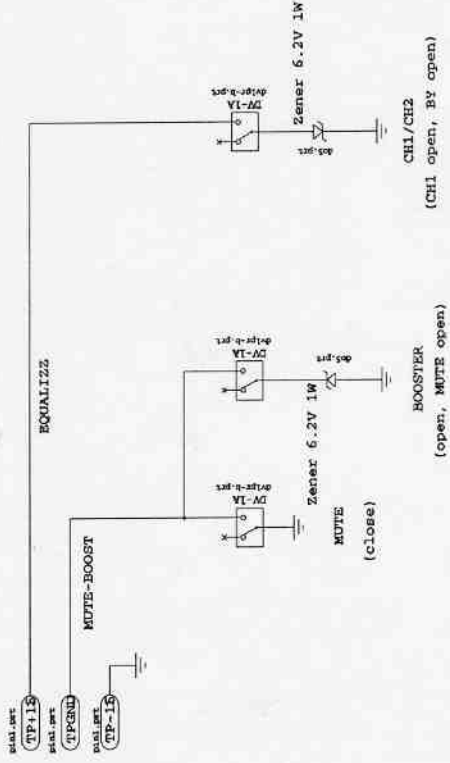


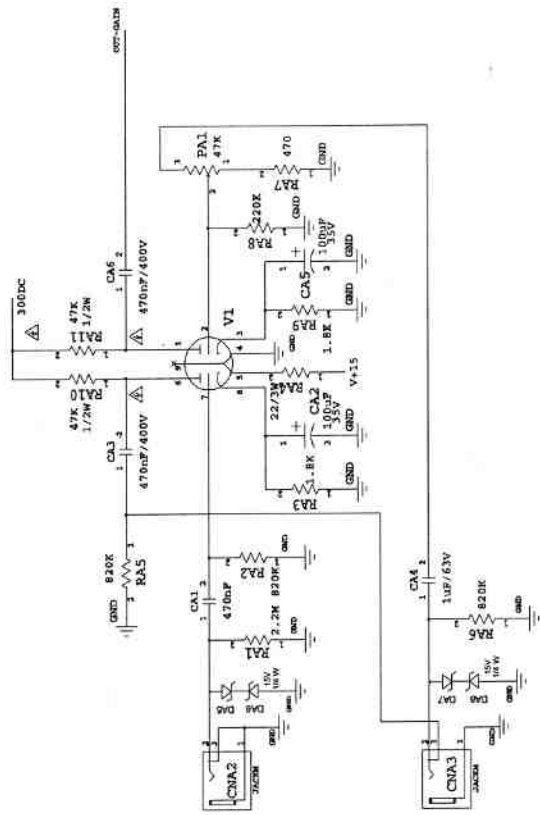
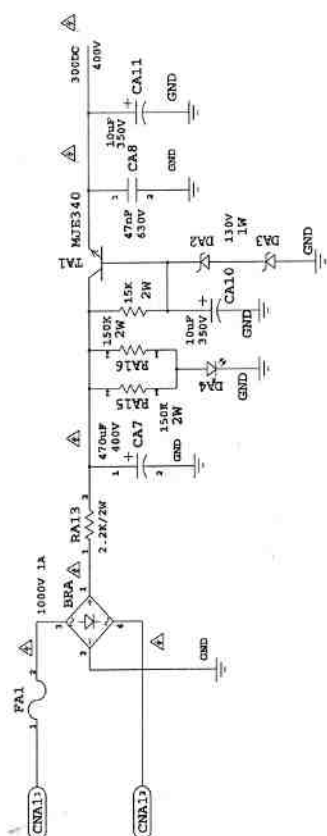
Proj:	HD 500 - LIMITER	Date:	2.01.99
Code:	950.026	Sheet:	4 / 5

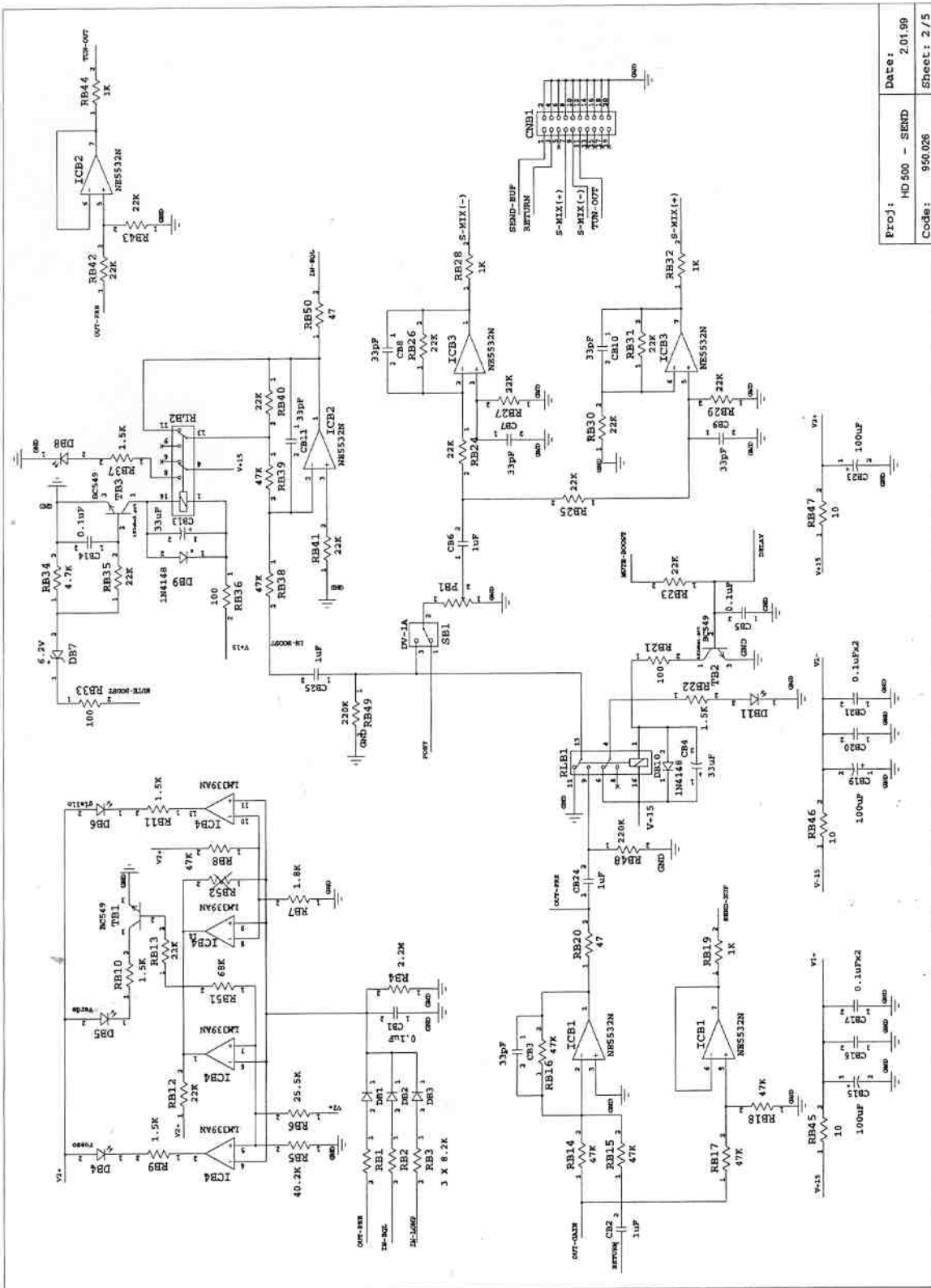




PROJECT : HD 500 - AMPLI TUBE
 DATE: 15.03.99
 Code: 930.027
 SHEET: 1/1







Proj: HD 500 - SEND
Code: 950.026
Date: 2.01.99
Sheet: 2 / 5