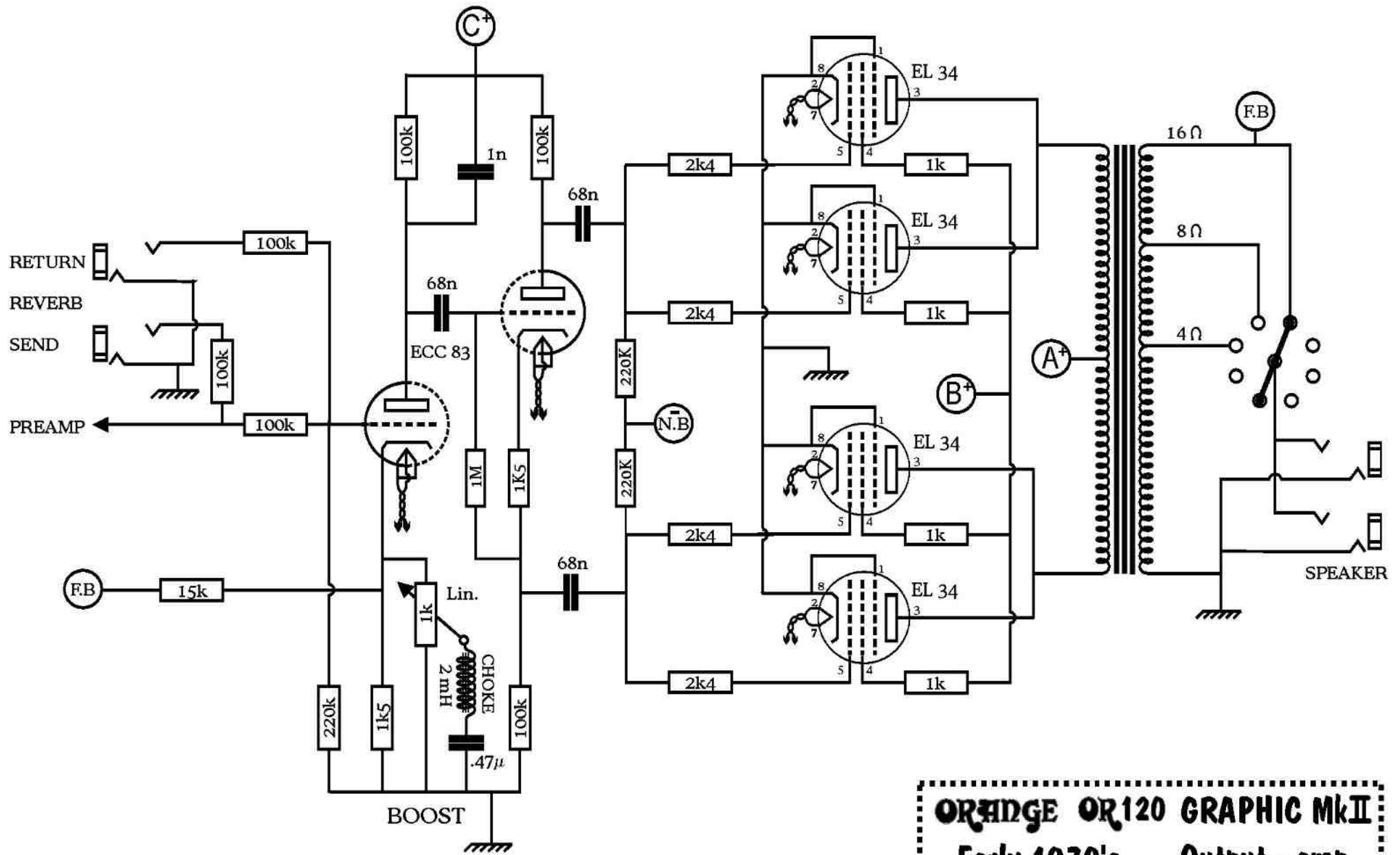
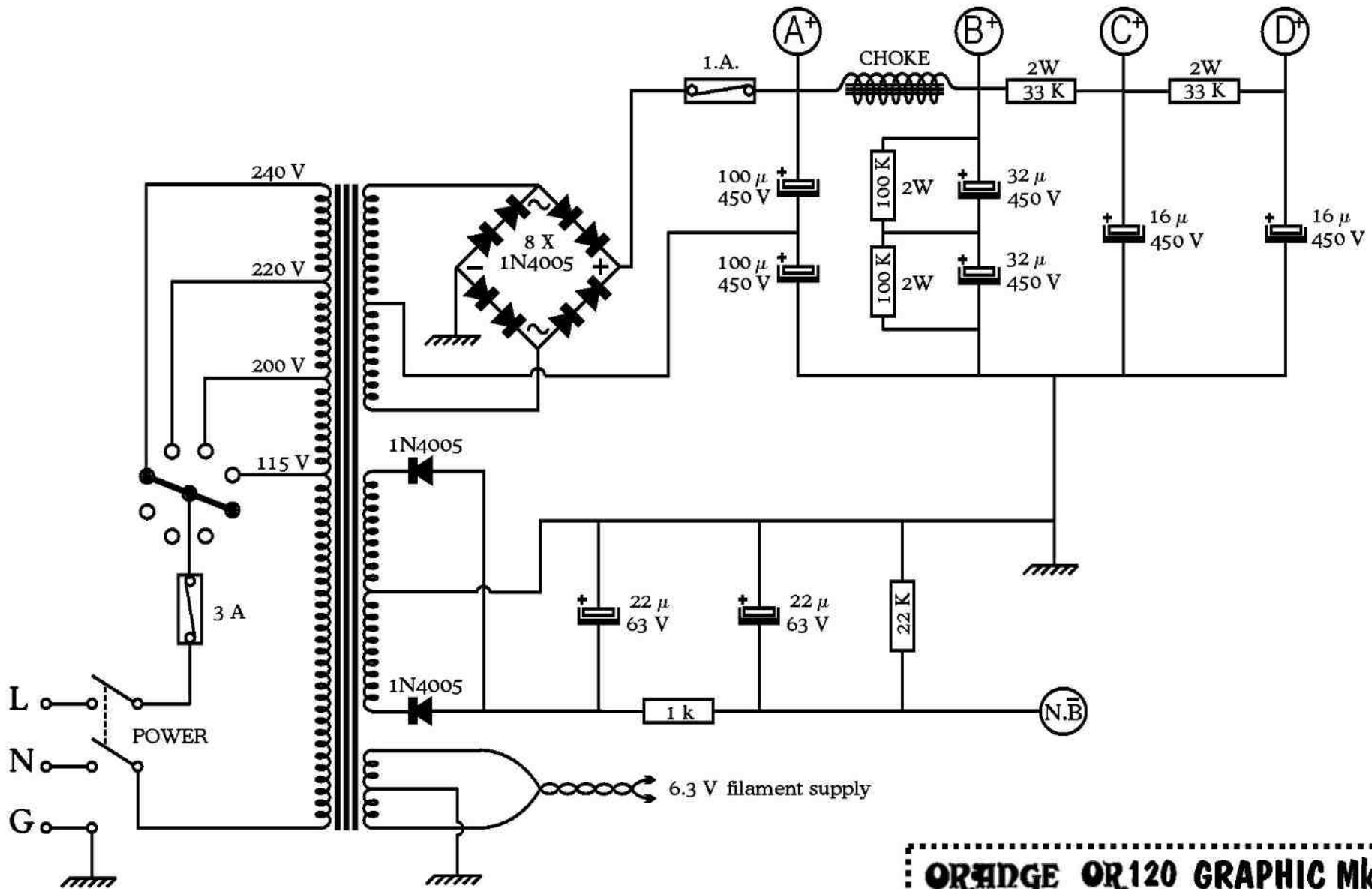


Comments:
 Input jacks are drawn as on the schematics from 1972. -Wrong I guess.
 Changes will be made when I know the correct wiring.
 FAC is drawn as from the switching side not the wiring side - I guess.

ORANGE OR120 GRAPHIC MkII
Early 1970's Preamp
 Scematics from *J. Jones* 1972 Drawn by B.Hickmott 2004



ORANGE OR120 GRAPHIC MkII
Early 1970's Output - amp
 Schematics from *J. Jones* 1972 Drawn by B.Hickmott 2004



Comments : No lamp is drawn in on the original schematics.
 I will add one here when I am informed of its correct wiring.
 The missing ground on the negative bias has been added..

ORANGE OR120 GRAPHIC MkII
Early 1970's Power Supply
 Schematics from *offocus* 1972 Drawn by B.Hickmott 2004