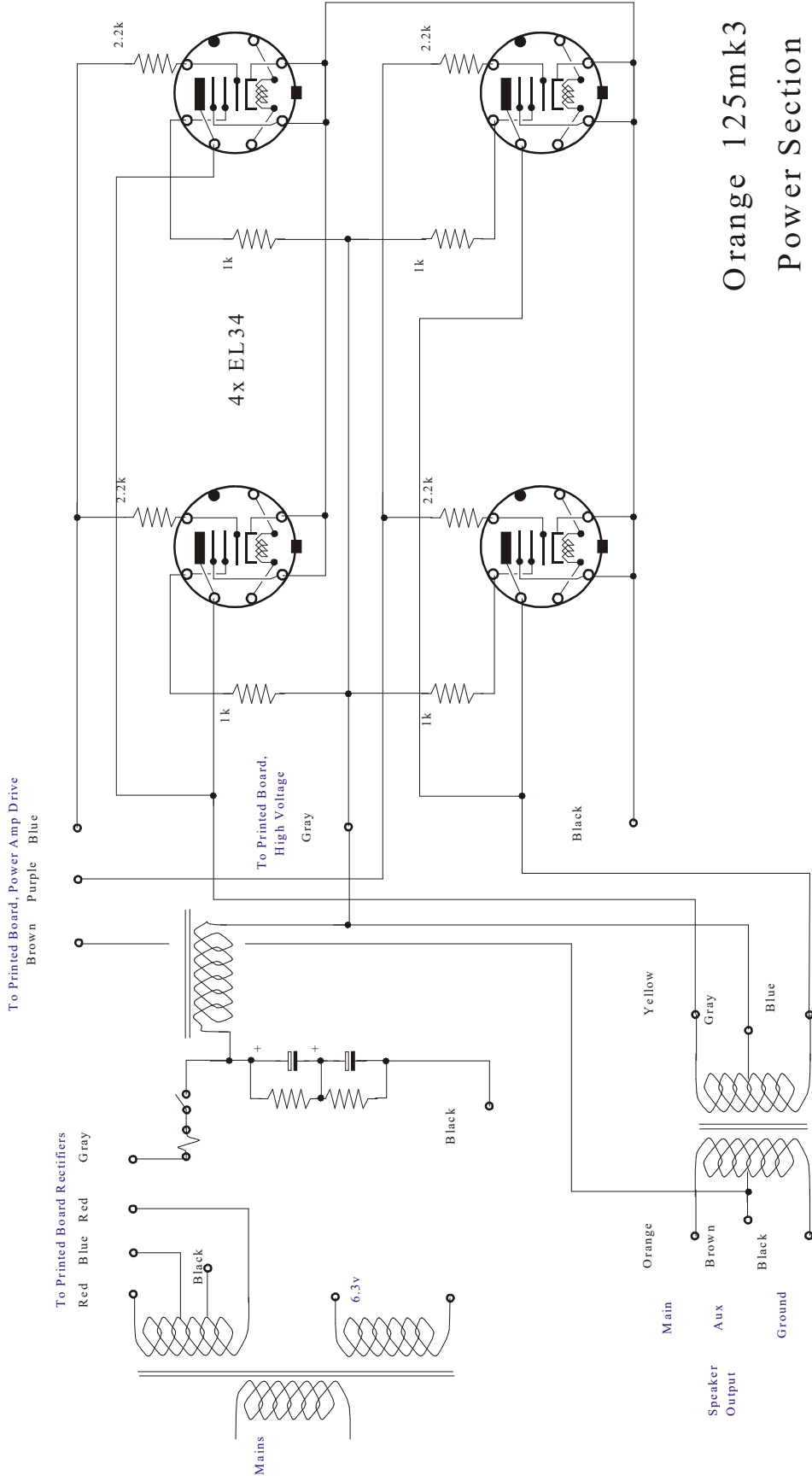


Or a nge Pre a mp Se ct ion - Cha n n e l II



To Printed Board, Power Amp Drive
Brown Purple Blue

To Printed Board Rectifiers
Red Blue Red Gray

Mains

6.3v

Black

To Printed Board,
High Voltage
Gray

4X EL34

Black

Yellow

Orange

Main

Speaker
Output

Brown

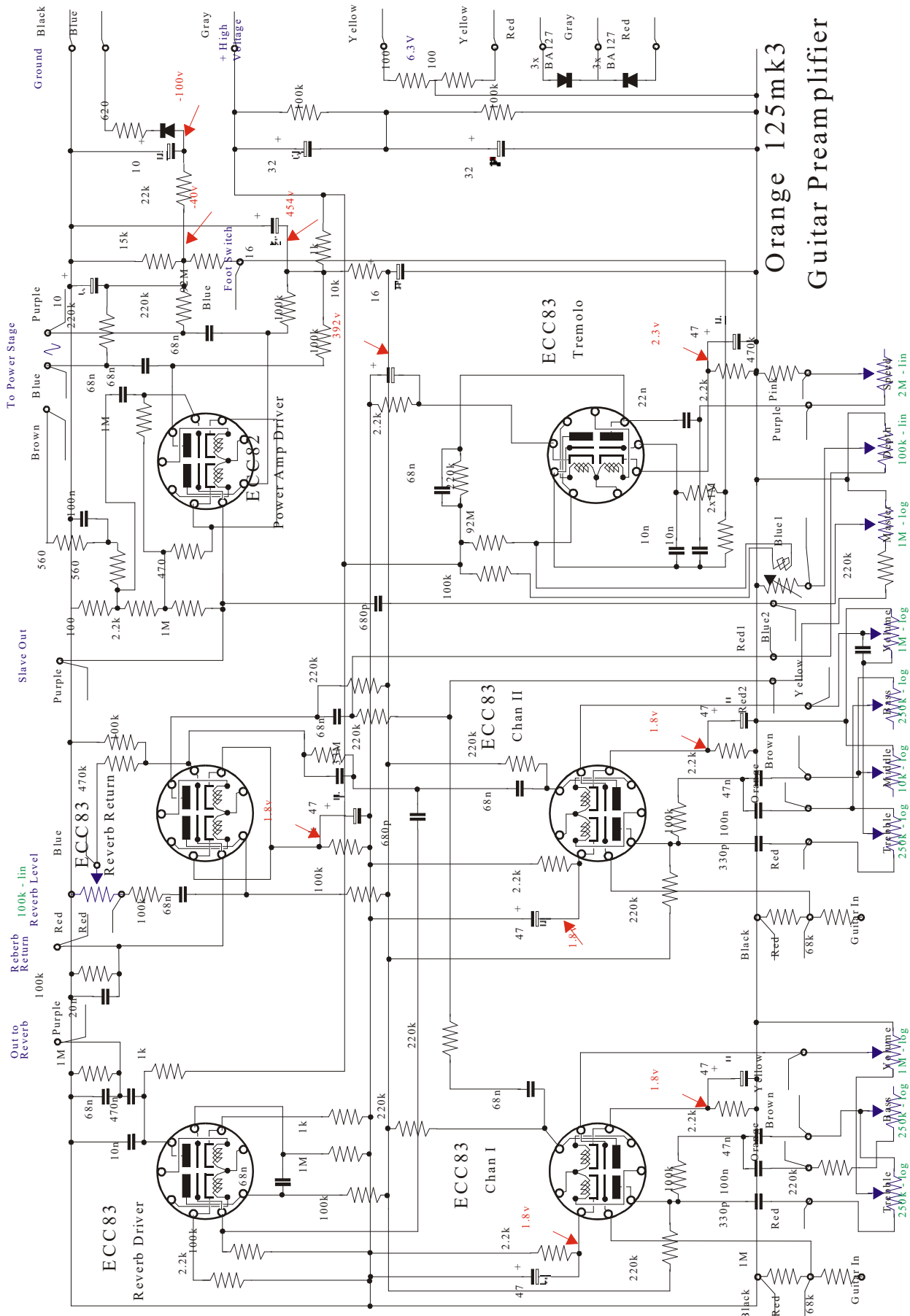
Aux

Black

Ground

Orange 125mk3

Power Section



Orange 125mk3 Guitar Preamplifier