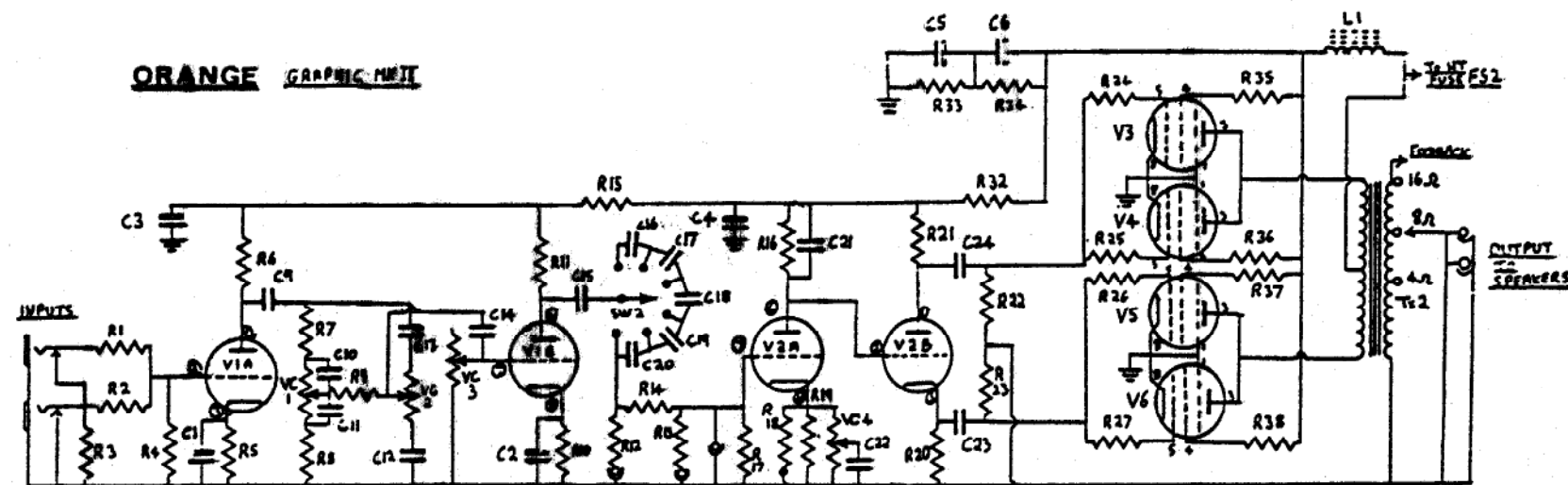


120w GRAPHIC MK II (ALT. DIAGRAM)

Orange



PARTS

R 1	50K ½ W. 10 SURFACT	R 20	100K ½ W. SURFACT	C 1	47µF 18V ELECTROLYTIC	C 18	2200 pF 160V	
2	10K	21	100K	2	47	18V	19	4700 pF 160V
3	1M	22	220K	3	16	450V	20	4700 pF 160V
4	200K	23	220K	4	16	450V	21	1000 pF 500V
5	242	24	2K	5	33	450V	22	0.47 µF 100V
6	200K	25	2K	6	33	450V	23	0.068 µF 400V
7	100K	26	2K	7	10	160V	24	0.068 µF 400V
8	22K	27	2K	8	10	160V	25	100 µF 450V
9	100K	28	33K	9	0.068 µF 400V		26	100 µF 450V
10	2K	29	100K	10	2200 pF 160V			
11	220K	30	15K	11	0.01 µF 400V			
12	100K	31	22K	12	2200 pF 160V			
13	100K	32	33K 1W	13	330 pF 150V			
14	100K	33	100K 1W	14	330 pF 160V			
15	33K 1W	34	100K 1W	15	0.068 µF 400V			
16	300K ½ W	35	1K SW WIRE WOUND	16	530 pF 160V			
17	220K	36	1K	17	1000 pF 160V			
18	15K	37	1K					
19	1K5	38	1K					

V1A-B ECC 83
 V2A-B ECC 83
 V3-6 EL 34

SW1 DOUBLE POLE MAINS SWITCH
 SW2 2 Pole 6 Way F.A.C. SWITCH

VC1 1MΩ Log for BASS
 VC2 1MΩ " = TREBLE
 VC3 1MΩ " = VOLUME
 VC4 1KΩ Lin = BOOST

VR1 100K PERSET (SEE BINS)
 VR2 100K " (SEE MIN NUM)

D1-9 IN 4005
 T1 MAINS TRANSFORMER
 T2 OUTPUT TRANSFORMER
 L1 HT CHOKER
 FS1 3A AMP SWAGE MAINS FUSE (SA AT 115V)
 FS2 1A HT FUSE

NOTE: 80 WATT VERSION IDENTICAL BUT T2 DIFFERENT AN V3-6 R. 24, 27, 26, 38 OMITTED

ORANGE MUSICAL INDUSTRIES LIMITED

17 Upland Road, Bexleyheath, Kent. Telephone: 01-304 6717

