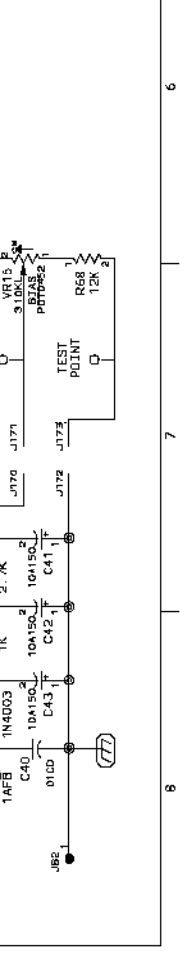


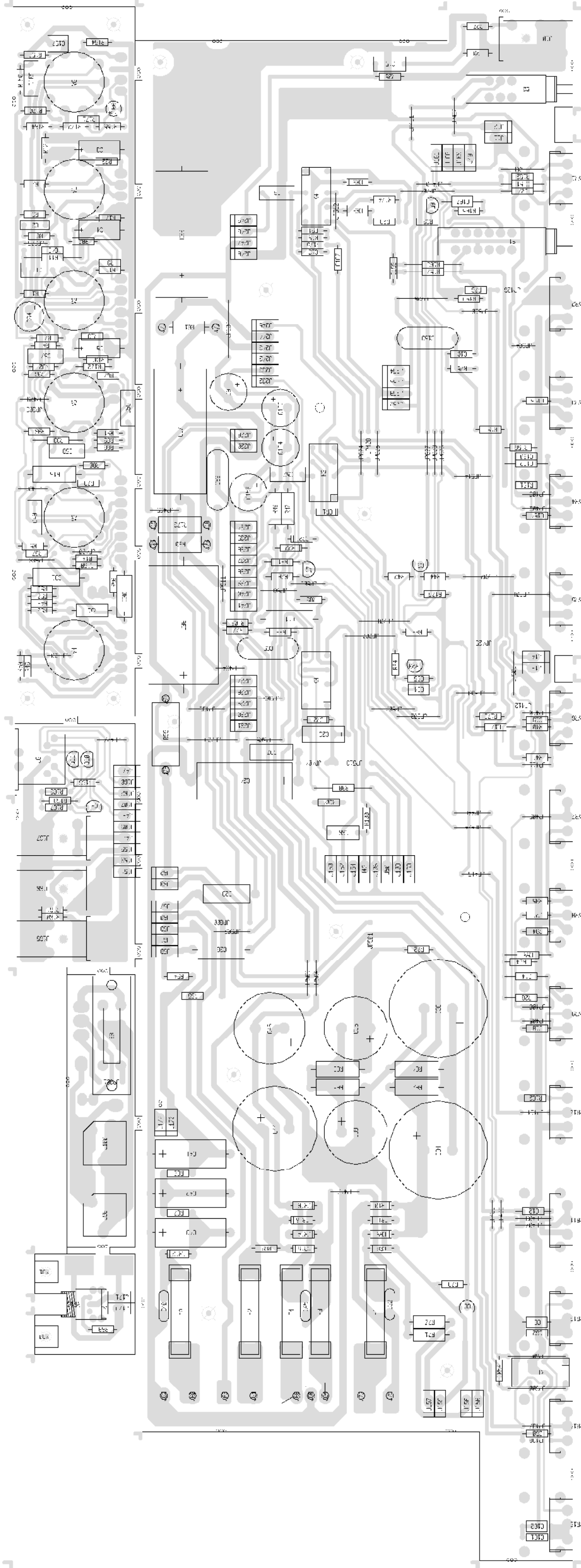
LAST REFNUM USED: R176 C157 CR54 J173 V6 Q11 VR16

PEAVEY ELECTRONICS CORP.  
 711 STREET  
 MERRIDEN, MISSISSIPPI 39001  
 TITLE VH 515011 PREAMP  
 SIZE CODE NUMBER P9700041  
 REV D  
 PRINT DATE FEB-16-2001 SHEET 1 OF 1

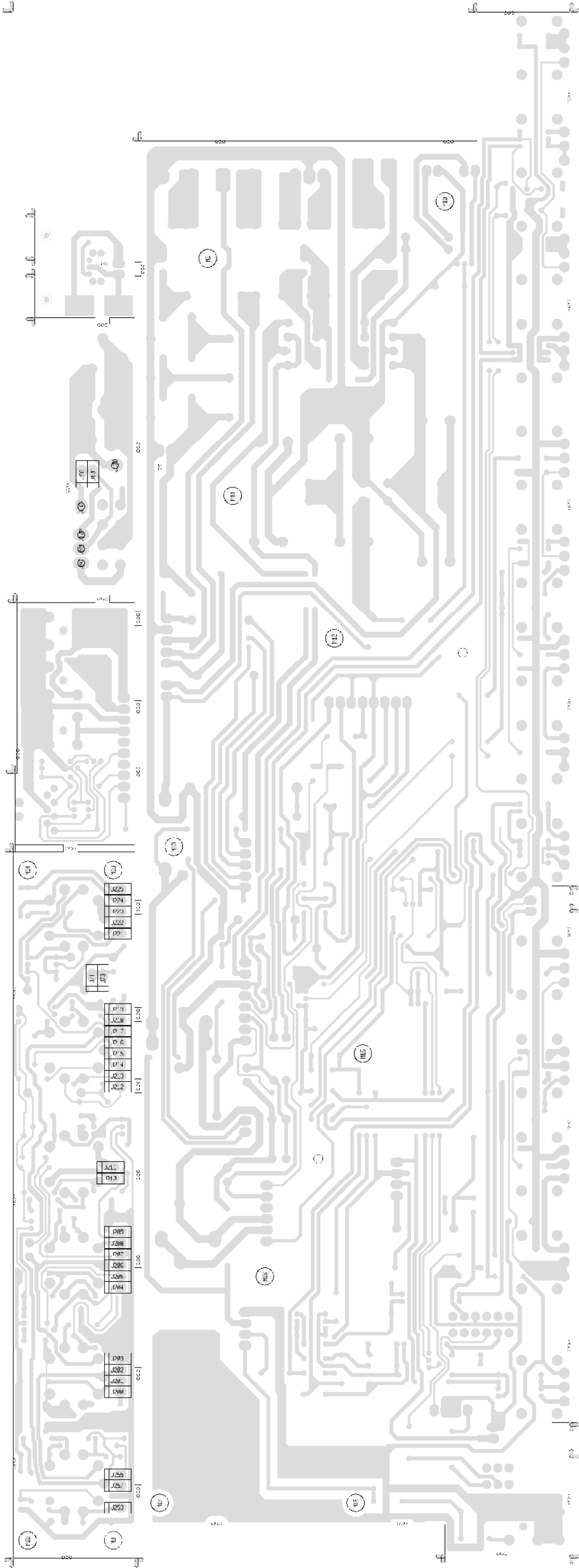
NOTICE: THIS CIRCUTRY IS PROTECTED BY  
 U.S. PATENT NOS. 5,197,102 OWNED BY  
 PEAVEY ELECTRONICS CORP. USE  
 OR COPYING WITHOUT EXPRESS  
 WRITTEN AUTHORITY FROM PEAVEY  
 ELECTRONICS IS PROHIBITED AND  
 U.S. PATENT NOS. 5,197,102 AND  
 5,197,103 ARE HEREBY REFERENCED  
 TO THE FULLEST EXTENT ALLOWED  
 UNDER U.S. PATENT LAWS.

COPYRIGHT 2001 PEAVEY ELECTRONICS CORP. PRINTED IN U.S.A.





5150-2 PREAMP PRIMARY SIDE



5150-2 PREAMP SECONDARY SIDE

BILL OF MATERIALS REPORT

BOARD NAME: 5150 2 REPORT DATE: 25JAN01  
ASSEMBLY LEVEL NUMBER: 99010540 PROJECT NUMBER: P9700041  
CBDS

PART PART DESCRIPTION AND  
QTY NAME VALUE NUMBER DEVICE DESIGNATIONS \*\*\*\*\*  
\*\*\*\*\*

Table with 4 columns: QTY, NAME, VALUE, NUMBER, DEVICE DESIGNATIONS. Rows include components like 1 98810540 PVR PCB, 2 .001 .001 70340000 .001MFD, 1 .001R630 .001R630 70320160 .001MFD, 1 .0022 .0022 70340004 .0022MFD, 1 .0033 .0033 70340006 .0033MFD, 1 .0047 .0047 70340007 .0047MFD, 3 .0068 .0068 70340008 .0068MFD, 1 .01 .01 70340011 .01MFD, 3 .01CD .01CD 70320248 .01MFD, 4 .022 .022 70340012 .022MFD, 8 .022R400 .022R400 70320106 .022MFD, 4 .033 .033 70340014 .033MFD, 4 .047A400 .047A400 70320105 .047MFD, 1 .068 .068 70340018 .068MFD, 4 .1P10 .1P10 70340101 .1MFD, 2 .1R250MY .1R250MY 70320096 .1MFD, 3 .33R400 .33R400 70320107 .33MFD, 1 .33SF2 .33SF2 70330146 .33MFD, 1 1.5K 1.5K 70240018 1.5K, 2 1.5KW1 1.5KW1 70210007 1.5K, 3 1.82KPI 1.82KPI 70241078 1.82K

Table with 4 columns: QTY, NAME, VALUE, NUMBER, DEVICE DESIGNATIONS. Rows include components like 1 1000A35 1000A35 70320038 1000MFD, 4 1000R35 1000R35 70320186 1000MFD, 7 100K 100K 70240034 100K, 3 100KPI 100KPI 70240151 100K, 1 100KW1 100KW1 70210017 100K, 1 100PI 100PI 70340054 100PI, 2 100V350 100V350 70320130 100MFD, 3 10A150 10A150 70320016 10MFD, 1 10ASB 10ASB 70900599 10AMP, 6 10K 10K 70240025 10K, 2 10KAVB 70900788 10K, 2 10KW1 10KW1 70210018 10K, 4 125SOWD 70900788 12K, 6 12AX7 12AX7 70806612 12AX7, 1 12K 12K 70240057 12K, 3 12VRELAY 71322277 12VRELAY, 1 18K 18K 70240028 18K, 3 1A50NP 1A50NP 70320138 1MFD, 3 1AFB 1AFB 70900085 1AMP, 3 1K 1K 70240017 1K, 20 1M 1M 70240039 1M, 2 1MAVB 71190516 1MEG

Table with 4 columns: QTY, NAME, VALUE, NUMBER, DEVICE DESIGNATIONS. Rows include components like 6 1MAVB 71190522 1MEG, 5 1N4003 1N4003 70464003 1N4003, 4 1N4007 1N4007 70464007 1N4007, 6 1N4148 4148 70464148 1N4148, 4 2.2K 2.2K 70240020 2.2K, 1 2.2M 2.2M 70240040 2.2M, 1 2.2R50 2.2R50 70320180 2.2MFD, 1 2.7K 2.7K 70240021 2.7K, 1 210KPI 210KPI 70240137 210K, 1 220R35 220R35 70320113 220MFD, 9 220K 220K 70240036 220K, 4 220KW1 220KW1 70210008 220K, 1 220R50 220R50 70320187 220MFD, 2 22A25 22A25 70320012 22MFD, 2 22A450 22A450 70320020 22MFD, 3 22K 22K 70240029 22K, 2 22KW1 22KW1 70210005 22K, 2 250KBVB 71190515 250K, 1 25KAVB 71190559 25K, 1 2A1FB 2A1FB 70900133 2AMP, 1 2N3919 3919 70463919 2N3919, 1 3.3K 3.3K 70240022 3.3K

\*\*\*\*\*  
\* END OF BILL OF MATERIALS REPORT \*  
\*\*\*\*\*

- 1 330K 330K 70240037 330K--1/4W--5%---CF--T&R
- 2 330V350 330V350 70320169 330 MFD 350 VDC VERT. SNAP-IN
- 3 33K 33K 70240030 33K---1/4W--5%---CF--T&R
- 2 39K 39K 70240048 39K---1/4W--5%---CF--T&R
- 1 39PF 39PF 70340052 39PF-----50VDC---T-C---T&R
- 4 4.7K 4.7K 70240023 4.7K--1/4W--5%---CF--T&R
- 2 4.7W1 4.7W1 70210015 4.7---1W---5%---MO--I&R
- 1 47 47 70240008 47---1/4W--5%---CF--T&R
- 1 470 470 70240015 470---1/4W--5%---CF--T&R
- 1 4700R35 4700R35 70350200 4700 MFD 35VDC RADIAL SNAP-IN
- 7 470K 470K 70240038 470K--1/4W--5%---CF--T&R
- 5 470PF 470PF 70340058 470PF-----10%---50VDC---T-C---T&R
- 1 47A500 47A500 70320005 47MFD 500VDC ELECTROLYTIC -AXIAL
- 2 47FP 47FP 70240090 47FP--1/4W--5%---FP--T&R
- 3 47K 47K 70240031 47K---1/4W--5%---CF--T&R
- 1 47W1 47W1 70210011 47---1W---5%---MO--I&R
- 1 4KW5 4KW5 70250050 4K--5W--10%--WW--AXI.
- 9 500SOWD 70900781 70900781 SPACER, 1/2,R(#), 1/87 SWAGE ALUM.
- 1 50KBYR 71190511 71190511 50K LIN MIN VPC W/BACKET
- 1 6.8K 6.8K 70240024 6.8K--1/4W--5%---CF--T&R
- 4 6531 6531 70466531 MPS-6531 1092 NPN TRANS. I&A
- 2 68K 68K 70240032 68K---1/4W--5%---CF--T&R
- 1 68KP1 68KP1 70241070 68K---1/4W--1%---CF--T&R

- R5
- 2 820 820 70240019 820---1/4W--5%---CF--T&R
- 1 820PF 820PF 70340062 820PF-----10%---50VDC---T-C---T&R
- 2 82K 82K 70240033 82K---1/4W--5%---CF--T&R
- 1 DIN7RA 71466226 71466226 CONN 7P RA PCMNT DIN W/4 MNT. HOLES
- 1 DRASW DRASW 71322256 PC MNT SWITCH DUAL
- 3 FMPIC 73711811 73711811 M118-171 C.B. FEMALE MOLEX PIN
- 2 IUDMINI 71466214 71466214 2 IIP IUD JACK NINS W/SPD
- 2 J174 J174 70460174 J-174 30V TO-92 P-CHAN FFT T&A
- 2 LBRKTI 71500238 71500238 #74 J.-BRACKET W/4-40 HOLE
- 1 LOMRELAY 71322378 71322378 RELAY, 12V DPDT - LO MIC
- 1 MAC97 MAC97 70460097 MAC97-6 400V .6A TO-92 TRIAC T&A
- 5 MMPD 73711812 73711812 R93-12 PN C.B. MALE MOLEX PIN
- 14 MXPUC 73711812 73711812 R93-12 PN C.B. MALE MOLEX PIN
- 1 POT0452 71190452 71190452 10kb vpc 6.5mm
- 1 PRASW PRASW 71322289 DPDT P/P CB MNT SWITCH
- 4 RASNG165 71466165 71466165 JK R/A 12.5MM NIN STEREO -88
- 102 SPXI SPXI 73717003 1 STAKE PIN

- J10, J165, J166, J167
- J11, J12, J13, J14, J42, J43, J47, J48, J49, J50, J57, J58, J59, J60, J61, J62, J63, J70, J71, J98, J101, J105, J106, J107, J108, J150, J151, J152, J153, J154, J155, J156, J157, J158, J159, J160, J161, J162, J163, J168, J169, J170, J171, J172, J173, J200, J201, J202, J203, J204, J205, J206, J207, J208, J209, J210, J211, J212, J213, J214, J215, J216, J217, J218, J219, J220, J221, J222, J223, J224, J225, J226, J227, J228, J229, J230, J231, J232, J233, J234, J235, J236, J237, J238, J239, J240, J241, J242, J243, J244, J245, J246, J247, J248, J249, J252, J253, J254, J255, J256, J257, J258,

R38, R39

C167

J6

S1

J83, J84, J86

J96, J100

Q7, Q8

M30, M31

K4

CR23

J97, J99, J102, J103, J104

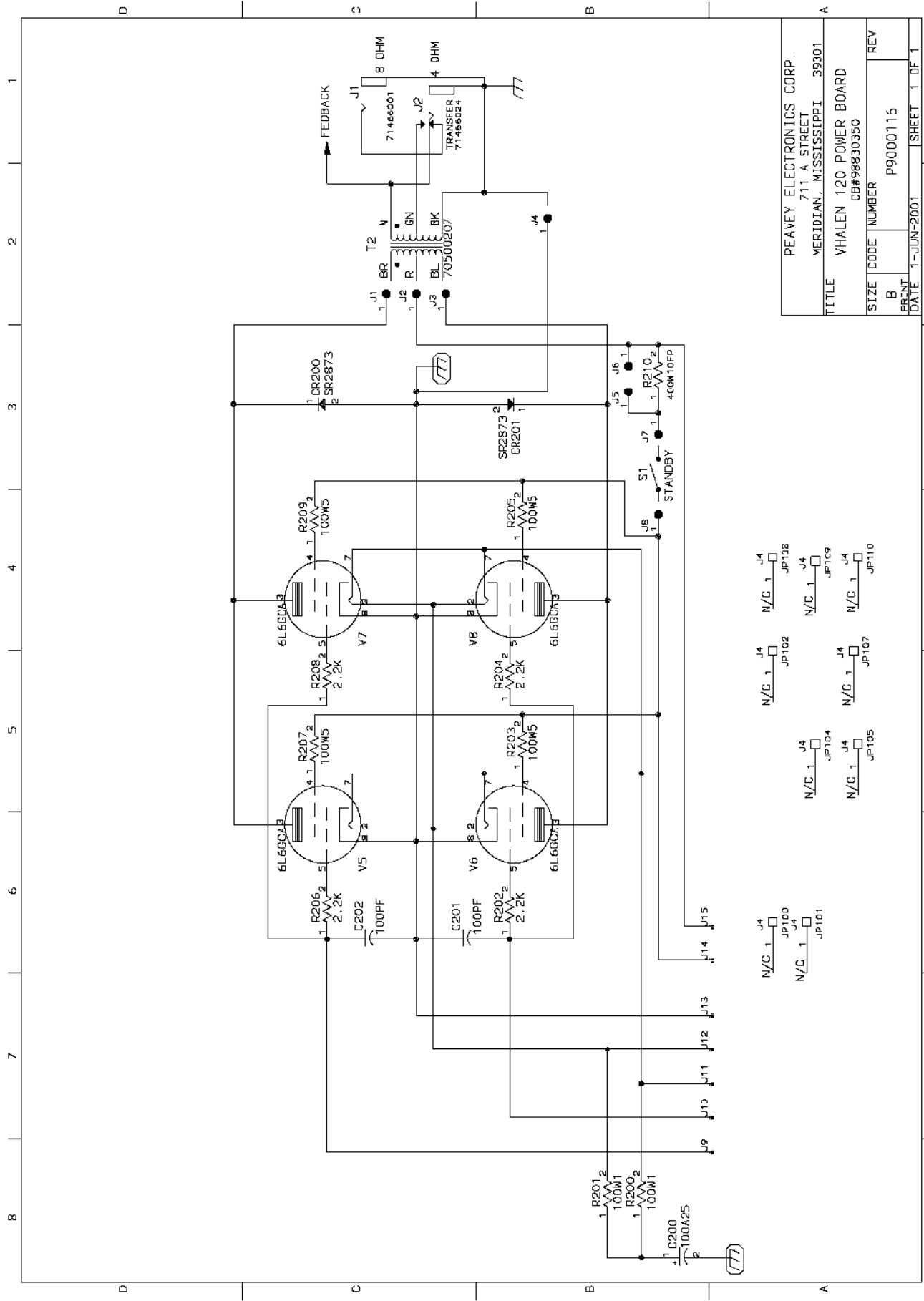
J15, J16, J72, J73, J74, J75, J76, J77, J78, J79, J80, J81, J82, J85

VR16

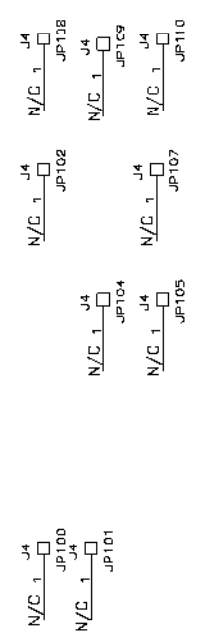
S2

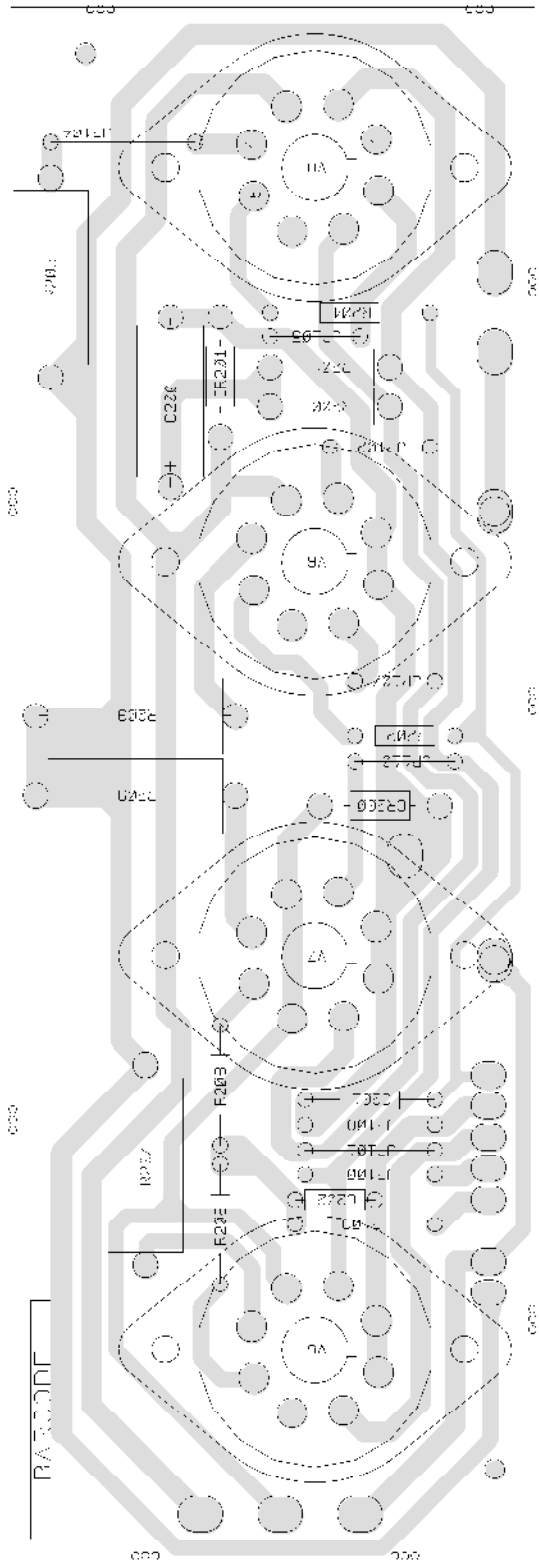
J10, J165, J166, J167

J11, J12, J13, J14, J42, J43, J47, J48, J49, J50, J57, J58, J59, J60, J61, J62, J63, J70, J71, J98, J101, J105, J106, J107, J108, J150, J151, J152, J153, J154, J155, J156, J157, J158, J159, J160, J161, J162, J163, J168, J169, J170, J171, J172, J173, J200, J201, J202, J203, J204, J205, J206, J207, J208, J209, J210, J211, J212, J213, J214, J215, J216, J217, J218, J219, J220, J221, J222, J223, J224, J225, J226, J227, J228, J229, J230, J231, J232, J233, J234, J235, J236, J237, J238, J239, J240, J241, J242, J243, J244, J245, J246, J247, J248, J249, J252, J253, J254, J255, J256, J257, J258,

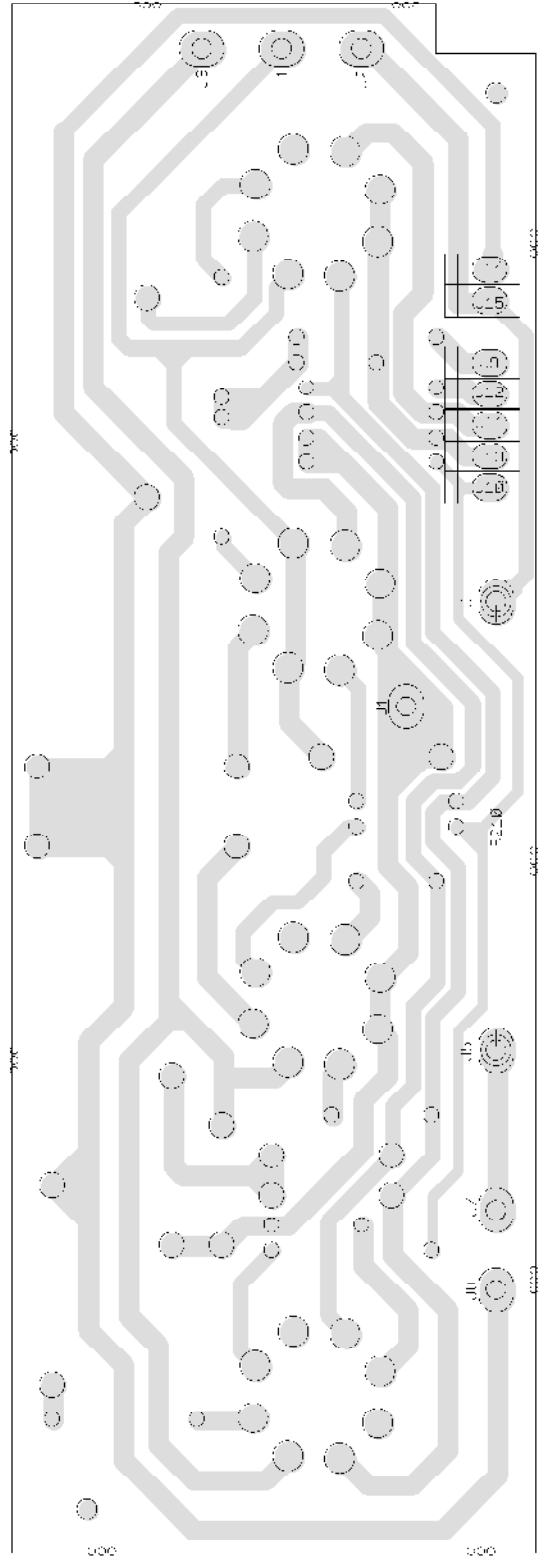


PEAVEY ELECTRONICS CORP.	
711 A STREET	
MERIDIAN, MISSISSIPPI 39301	
TITLE	VHALEN 120 POWER BOARD
SIZE	CB#98830350
CODE	NUMBER
B	P9000115
REV	
PRINT	
DATE	1-JUN-2001
SHEET	1 OF 1





PRIMARY STAGE  
LVT - CWL R



SECONDARY STAGE

B I L L O F M A T E R I A L S R E P O R T

-----

BOARD NAME: VHPWR                      REPORT DATE: 29AUG01

ASSEMBLY LEVEL NUMBER: 99030352      DESIGNER: FREDDIE EAVES

PROJECT NUMBER: VHPWR

CBDS

PART	PART	DESCRIPTION AND	
** QTY. NAME	VALUE	NUMBER	DEVICE DESIGNATIONS *****
*****			
1	98830352	98830352	VHPWR      PCB
1	100A25	100A25	70320014      100 MFD 25VDC LYTIC CAP
			C200
2	100PF	100PF	70340054      100PF-----10 <sup>s</sup> -----50VDC----T/C----T&R
			C201, C202
2	100W1	100W1	70210003      100---1W----5%----MO--T&R
			R200, R201
4	100W5	100W5	70250006      100--5W--10%--WW--AXL



R203, R205, R207, R209

4 2.2K 2.2K 70240020 2.2K--1/4W--5%----CF--T&R

R202, R204, R206, R208

1 400W10FP 400W10FP 70250019 400--10W--10%--FP--AXL

R210

4 6L6GCA 6L6GCA 70806604 6L6GC VAC TUBE W/INS SOCKET 70806627

V5, V6, V7, V8

9 J4 J 70600005 22GA JUMPER WIRES T&R

JP100, JP101, JP102, JP104, JP105,  
JP107, JP108, JP109, JP110

8 MMPD 73711812 73711812 R93-12 PN C.B. MALE MOLEX PIN

J1, J2, J3, J4, J5, J6, J7, J8

7 SPX1D SPX1D 73717003 1 STAKE PIN

J9, J10, J11, J12, J13, J14, J15

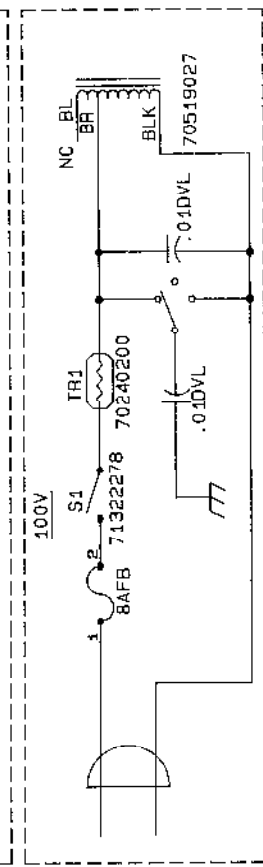
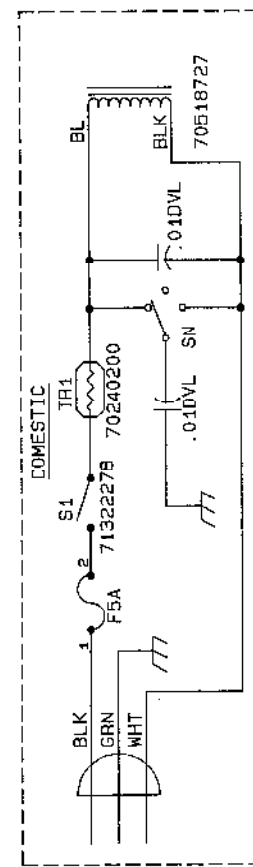
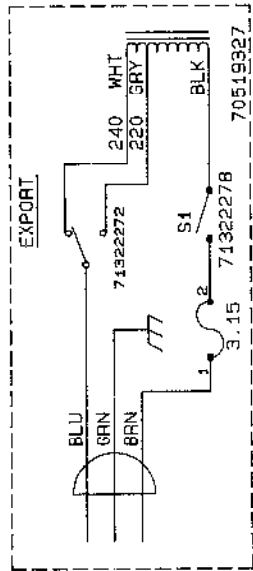
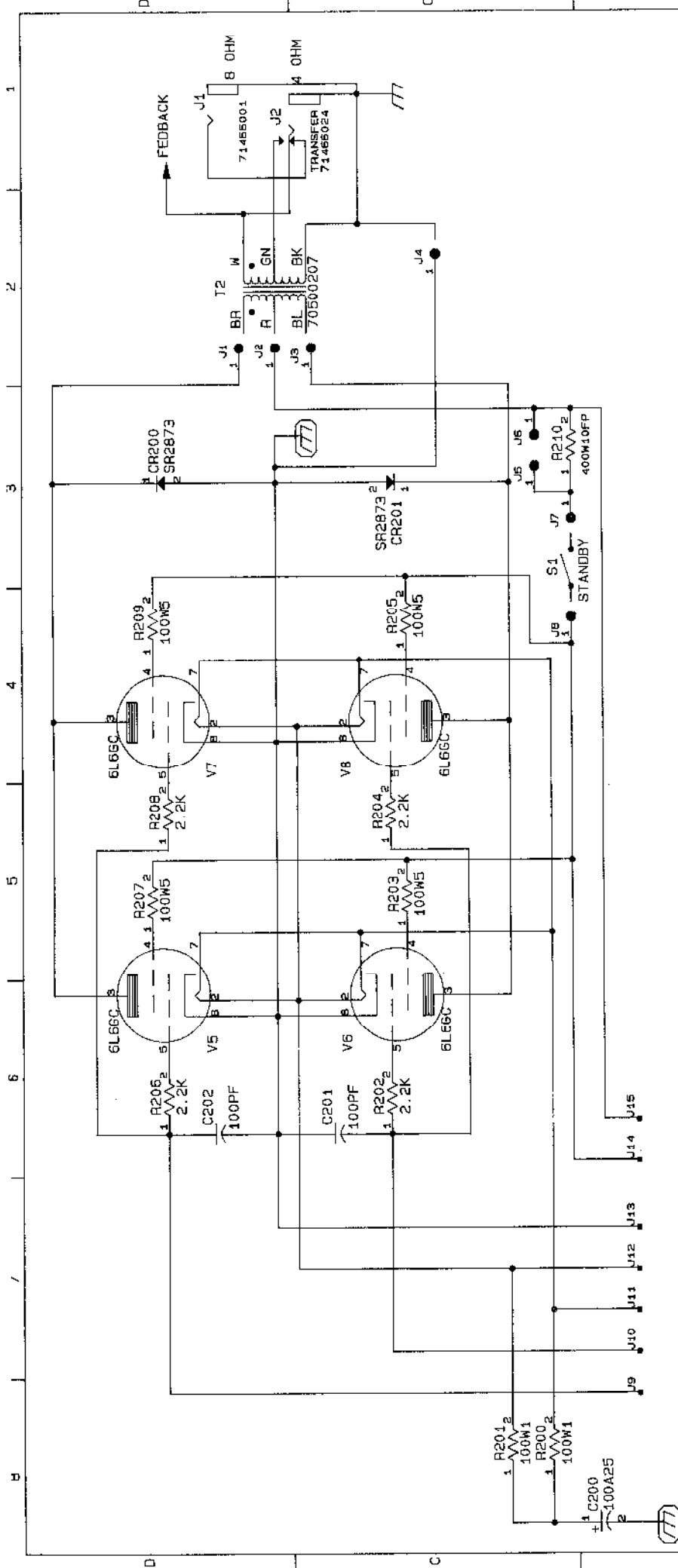
2 SR2873 SR2873 70402873 SR2873 2KV, 250MA SILICON DIODE

CR200, CR201

\*\*\*\*\*

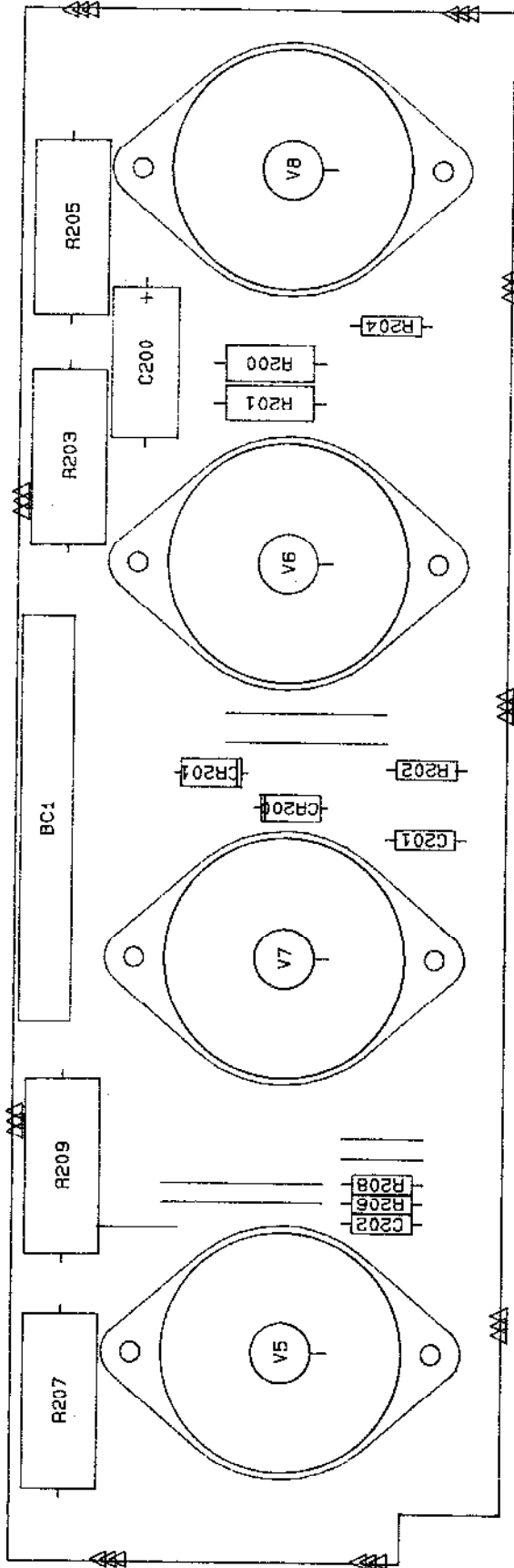
\* END OF BILL OF MATERIALS REPORT \*

\*\*\*\*\*



PEAVEY ELECTRONICS CORP.	
711 A STREET	
MERIDIAN, MISSISSIPPI 39301	
TITLE	VHALEY 120 POWER BOARD
SIZE	CB#99830350
CODE	REV
B	81501510
PRINT	
DATE	31-JAN-92
SHEET	3 OF 3

POWER BD.



C200	100A25	70320014	100 MFD 25 VDC LYTIC CAP
C201	100PF	70340054	100PF 10% 50V TUB CER I&R
C202	100PF	70340054	100PF 10% 50V TUB CER I&R
CR200	SR2873	70402873	SR-2873 2KV, 250MA SIL DIO
CR201	SR2873	70402873	SR-2873 2KV, 250MA SIL DIO
R200	100W1	70210003	100-1W-5% -MO-T&R
R201	100W1	70210003	100-1W-5% -MO-T&R
R202	2.2K	70240020	2200-1/4W-5% -CF-T&R
R203	100W5	70250006	100-5W-10% -NW-AXL
R204	2.2K	70240020	2200-1/4W-5% -CF-T&R
R205	100W5	70250006	100-5W-10% -NW-AXL
R206	2.2K	70240020	2200-1/4W-5% -CF-T&R
R207	100W5	70250006	100-5W-10% -NW-AXL
R208	2.2K	70240020	2200-1/4W-5% -CF-T&R
R209	100W5	70250006	100-5W-10% -NW-AXL
R210	400W10PF	70250019	400-10W-10% -FP-AXL
V5	6L6GC	70806604	6L6 GC TUBE
V6	6L6GC	70806604	6L6 GC TUBE
V7	6L6GC	70806604	6L6 GC TUBE
V8	6L6GC	70806604	6L6 GC TUBE