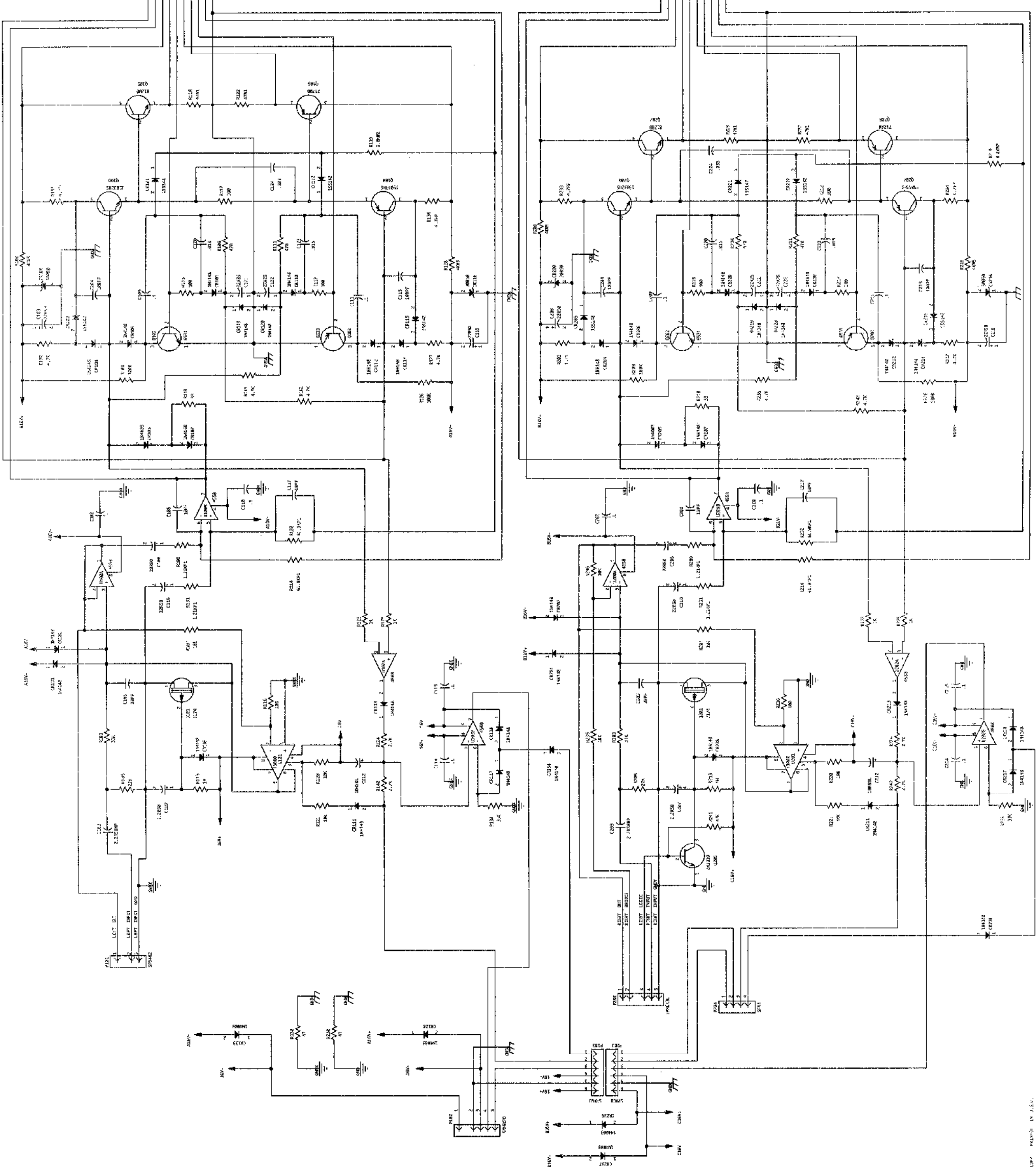


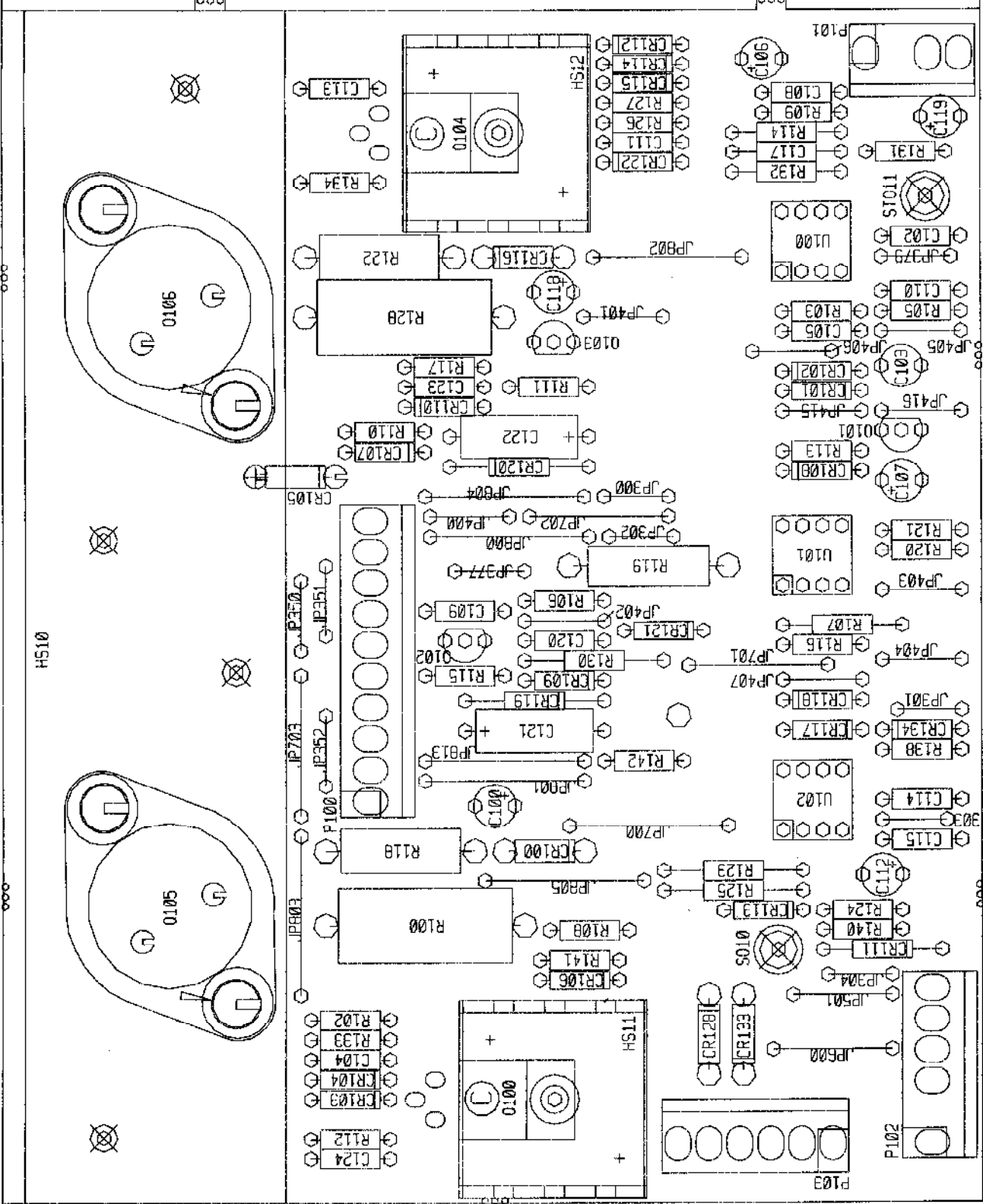
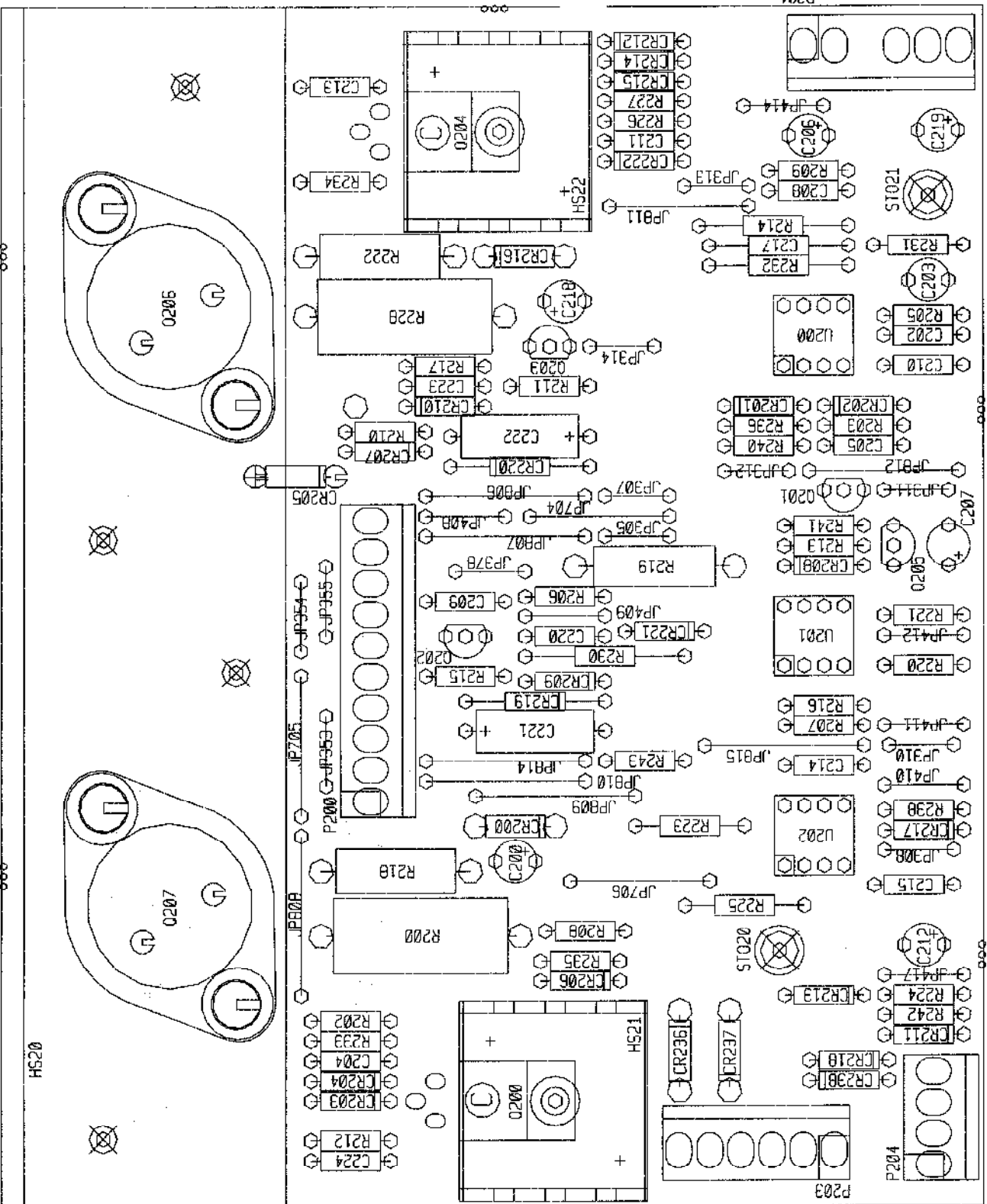
73865 BONE
 CIRCUIT ON
 SHEET 1 OF 2

73865 BONE
 CIRCUIT ON
 SHEET 2 OF 2

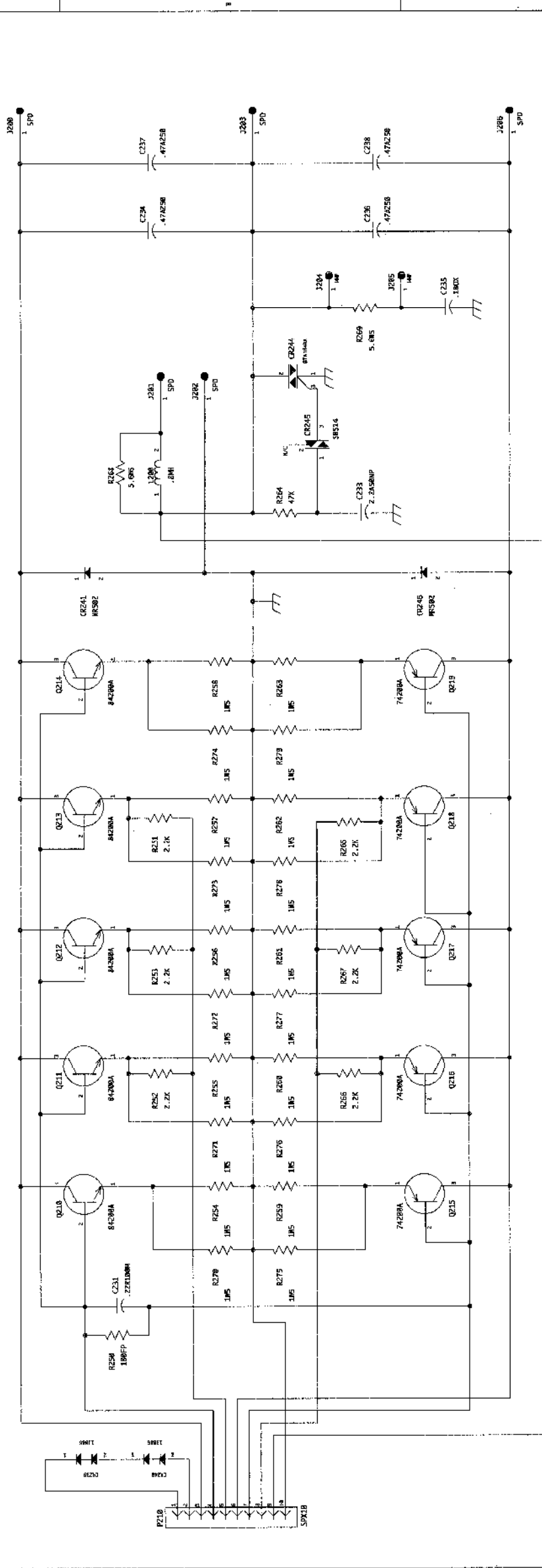
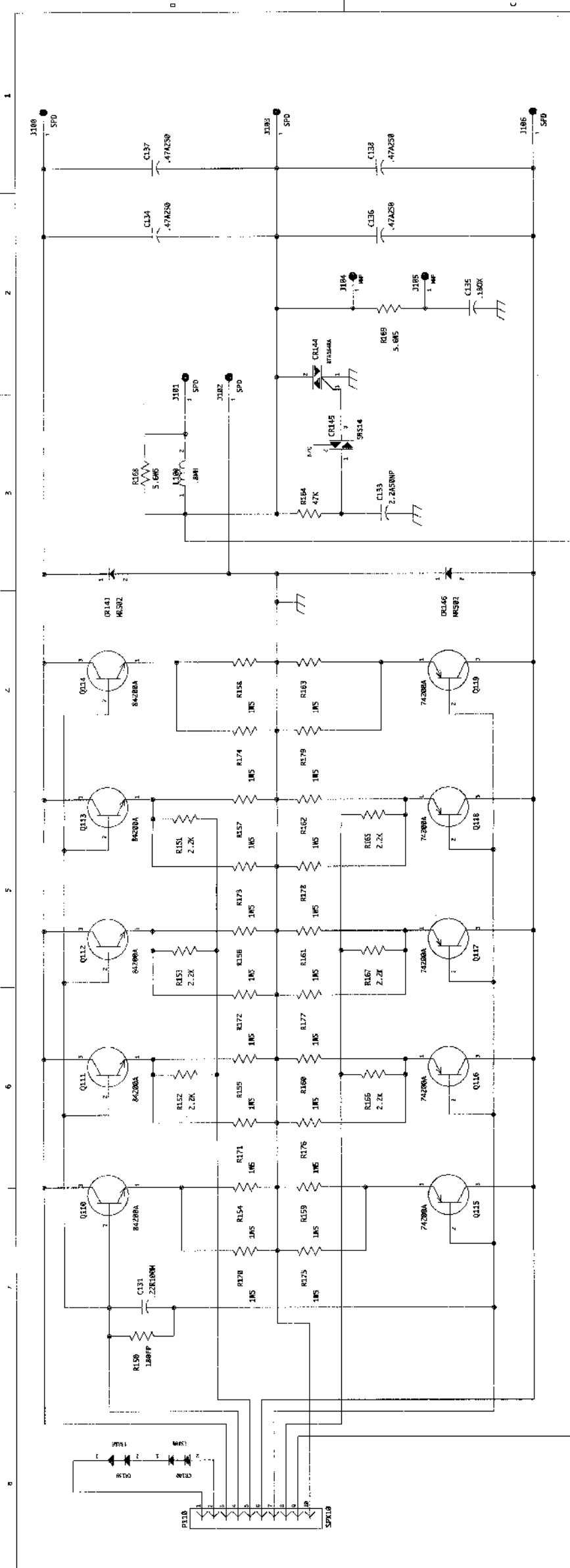
NOTE: THIS CIRCUIT IS
 DESIGNED TO BE USED AS A
 DRIVER FOR THE MOTOR
 OF THE "MOTOR" UNIT
 OF THE "MOTOR" UNIT
 IS STRICTLY FORWARDED AND
 SHOULD BE USED IN CONJUNCTION
 WITH THE "MOTOR" UNIT
 OF THE "MOTOR" UNIT.

FEWEE ELECTRONICS CORP.	
211 S. BAYVIEW	
MILWAUKEE, WIS. 53211	
TITLE: PV1.3K DRIVE	
DATE: 10/68	DESIGNER: JES
SIZE: D	WARRANTY: 90 DAYS
REV: 1	REV: 1
SHEET 1 OF 2	





PV 1.3K Drive

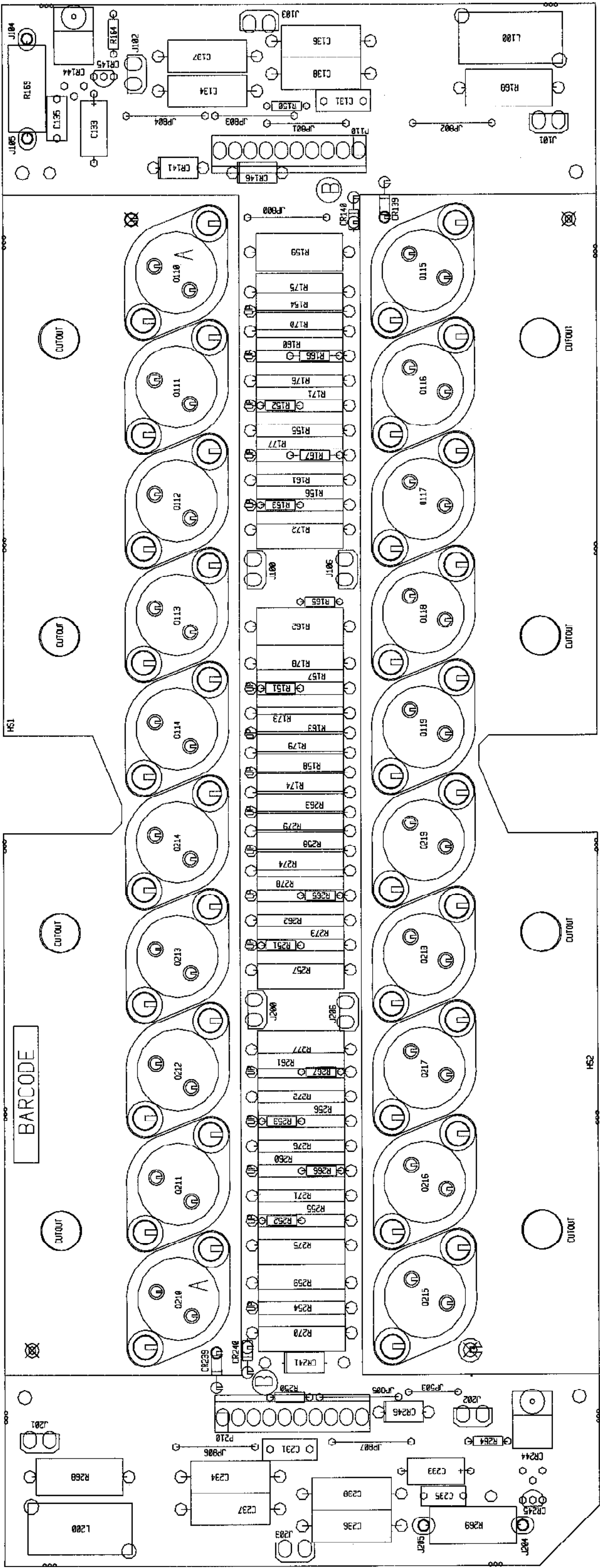


NOTICE: THIS QUALITY IS PROVIDED BY U.S. AIR FORCE
 AND IS THE PROPERTY OF PEAVEY ELECTRONICS CORP.
 IT IS TO BE USED ONLY FOR THE PURPOSES AND CONDITIONS
 STATED HEREON. IT IS STRICTLY PROHIBITED TO REPRODUCE
 OR TRANSMIT IN ANY FORM OR BY ANY MEANS, WITHOUT
 PERMISSION IN WRITING FROM PEAVEY ELECTRONICS CORP.
 U.S. AIR FORCE CONTRACT NO. DDC-67-100-000000

LAST REF USED: C136, CR148, J105, L100, P100, Q119, R159
 LAST REF USED: C238, CR248, J205, L200, P200, Q219, R259

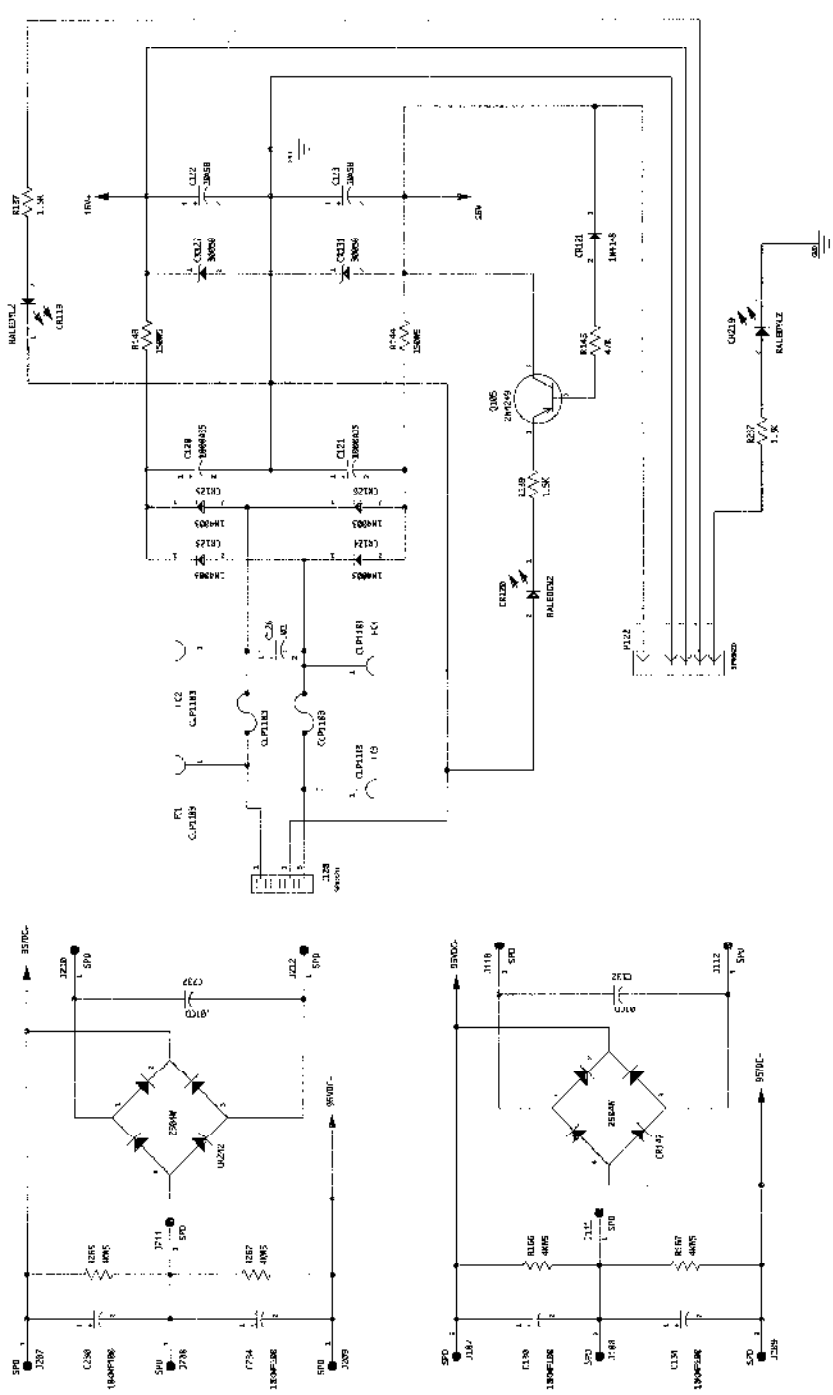
PEAVEY ELECTRONICS CORP. 711 A STREET MURFreesboro, MISSISSIPPI 39041	
TITLE	P41500C OUTPUT BD.
SIZE	C
CODE	98872002
REV	A
DATE	22-MAY-62
SHEET	1 OF 1

#81502583



BOARD NAME: EV132-00000
 ASSEMBLY LEVEL NUMBER: 99372003

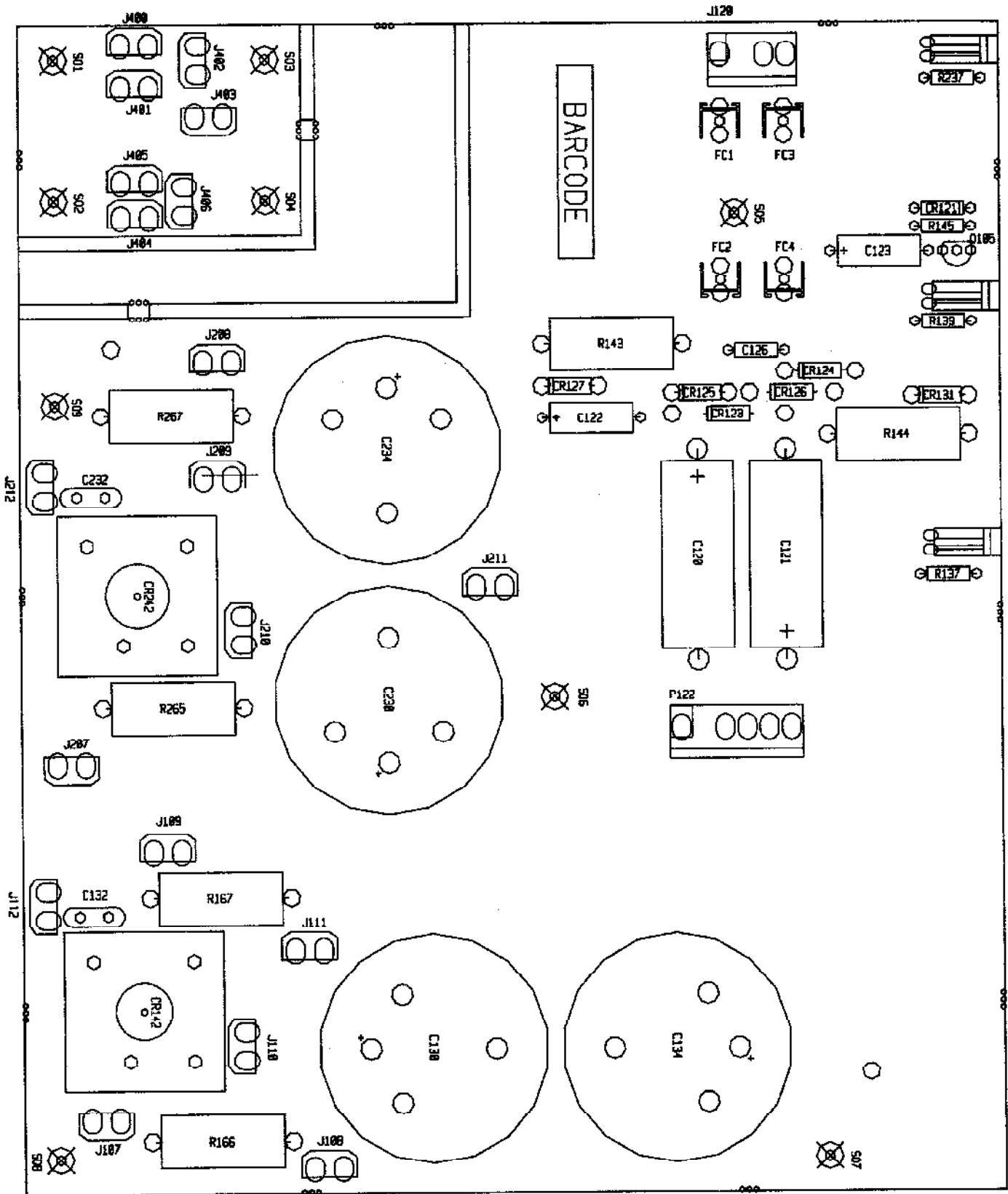
QTY.	PART NUMBER	DESCRIPTION AND DEVICE DESIGNATIONS			
1	70330007	.22 MFD 100VDC 5% NYLAR C131	1	70240099	150 OHM FLAME PROOF RESISTOR R250
1	70320010	2.2MFD 20% 50V NP EL T&R C133	3	70240020	2.2K-1/4W-5%—CF-T&R R251, R152, R153
1	70340065	.47MFD 10% N/P 15 VDC T & R C134	10	70250056	1-5W-5%—WW—AXL R134, R155, R156, R157, R158, R159, R160, R161, R162, R163
1	70320086	.1 MFD 100VDC 10% BOX CAP C135	1	70240031	47K 1/4W-5%—CF-T&R R164
3	70340065	.47MFD 10% N/P 15 VDC T & R C136, C137, C138	3	70240020	2.2K-1/4W-5%—CF-T&R R165, R166, R167
1	70330007	.22 MFD 100VDC 5% NYLAR C231	2	70250026	5.6-5W-10%—WW—AXL R168, R169
1	70320010	2.2MFD 20% 50V NP EL T&R C233	10	70250056	1-5W-5%—WW—AXL R170, R171, R172, R173, R174, R175, R176, R177, R178, R179
1	70340065	.47MFD 10% N/P 15 VDC T & R C234	1	70240099	150 OHM FLAME PROOF RESISTOR R250
1	70320086	.1 MFD 100VDC 10% BOX CAP C235	3	70240020	2.2K-1/4W-5%—CF-T&R R251, R252, R253
3	70340065	.47MFD 10% N/P 15 VDC T & R C236, C237, C238	10	70250056	1-5W-5%—WW—AXL R254, R255, R256, R257, R258, R259, R260, R261, R262, R263
2	70413886	SZ-13886-2 DUAL DIODE CR139, CR140	1	70240031	47K-1/4W-5%—CF-T&R R264
1	70400502	MS502/1N5402 200V, 3A SILICON DIODE CR141	3	70240020	2.2K-1/4W-5%—CF-T&R R265, R266, R267
1	70400099	400V, 16A, T0220 INSUL TRIAC CR144	2	70250026	5.6-5W-10%—WW—AXL R268, R269
1	70460014	SBS14 8V T0-92 BI-DIRECTIONAL SWITCH T&A CR145	10	70250056	1-5W-5%—WW—AXL R270, R271, R272, R273, R274, R275, R276, R277, R278, R279
1	70400502	MS502/1N5402 200V, 3A SILICON DIODE CR146			
3	70413886	SZ 13886 2 DUAL DIODE CR239, CR240			
1	70400502	MS502/1N5402 200V, 3A SILICON DIODE CR241			
1	70400099	400V, 16A, T0220 INSUL TRIAC CR244			
1	70460014	SBS14 8V T0-92 BI-DIRECTIONAL SWITCH T&A CR245			
1	70400502	MS502/1N5402 200V, 3A SILICON DIODE CR246			
2	98001824	EV1300C HEATSINK PLATE HS1, HS2			
4	73716194	.250 PC MNT SPADE .093 PCB J100, J101, J102, J103			
2	73711812	R93-12 EN C.B. MALE MOLEX PIN J104, J105			
5	73716194	.250 PC MNT SPADE .093 PCB J106, J200, J201, J202, J203			
2	73711812	R93-12 EN C.B. MALE MOLEX PIN J204, J205			
1	73716194	.250 PC MNT SPADE .093 PCB J206			
2	70519917	.8MM AIR CORE COIL / CS1200 L100, L200			
2	XXXXXXX	10 EACH OF STAKE PINS P110, P215			
5	70484200	SJ-84200, NPF, 4 AMP, 200V, METRIC TO-3 TRANS Q110, Q111, Q112, Q113, Q114			
5	70474200	SJ-74200, 4 AMP, 200V, METRIC TO-3, PNP TRANS Q115, Q116, Q117, Q118, Q119			
5	70484200	SJ-84200, NPN, 4 AMP, 200V, METRIC TO-3 TRANS Q210, Q211, Q212, Q213, Q214			
5	70474200	SJ-74200, 4 AMP, 200V, METRIC TO-3, PNP TRANS Q215, Q216, Q217, Q218, Q219			



NOTE: THIS CIRCUIT IS INCORPORATED IN U.S. PATENT 2,811,111, 2,811,112, 2,811,113, 2,811,114, 2,811,115, 2,811,116, 2,811,117, 2,811,118, 2,811,119, 2,811,120, 2,811,121, 2,811,122, 2,811,123, 2,811,124, 2,811,125, 2,811,126, 2,811,127, 2,811,128, 2,811,129, 2,811,130, 2,811,131, 2,811,132, 2,811,133, 2,811,134, 2,811,135, 2,811,136, 2,811,137, 2,811,138, 2,811,139, 2,811,140, 2,811,141, 2,811,142, 2,811,143, 2,811,144, 2,811,145, 2,811,146, 2,811,147, 2,811,148, 2,811,149, 2,811,150, 2,811,151, 2,811,152, 2,811,153, 2,811,154, 2,811,155, 2,811,156, 2,811,157, 2,811,158, 2,811,159, 2,811,160, 2,811,161, 2,811,162, 2,811,163, 2,811,164, 2,811,165, 2,811,166, 2,811,167, 2,811,168, 2,811,169, 2,811,170, 2,811,171, 2,811,172, 2,811,173, 2,811,174, 2,811,175, 2,811,176, 2,811,177, 2,811,178, 2,811,179, 2,811,180, 2,811,181, 2,811,182, 2,811,183, 2,811,184, 2,811,185, 2,811,186, 2,811,187, 2,811,188, 2,811,189, 2,811,190, 2,811,191, 2,811,192, 2,811,193, 2,811,194, 2,811,195, 2,811,196, 2,811,197, 2,811,198, 2,811,199, 2,811,200.

PEAVEY ELECTRONICS CORP.	
711 A STREET	
MERIDIAN, MISSISSIPPI 39068	
TITLE	PV1.3K POWER SUPPLY
SIZE	C
CODE	MMHBR
DATE	98872881
REV	A
SHEET	1 OF 1

#61562383



BOARD NAME: PV1.3 PWRSUP

ASSEMBLY LEVEL NUMBER: 99371982

* QTY.	PART NUMBER	DESCRIPTION AND DEVICE DESIGNATIONS *****
2	70320038	1000 MFD 35VDC LYTIC CAP C120, C121
2	70320112	10MFD 50V T&R C122, C123
1	70340011	.01MF-10%-50VDC-T/C-T&R C126
1	70320257	10000mf-20% 100vdc-el-rad C130
1	70320248	.01MF-20%-1000VDC-CD-T&A C132
2	70320257	10000mf-20% 100vdc-el-rad C134, C230
1	70320248	.01MF-20%-1000VDC-CD-T&A C232
1	70320257	10000mf-20% 100vdc-el-rad C234
1	70450579	SE-8731-D-YEL-25MM LDS REC - RIGHT ANGLE CR119
1	70450578	SE-8721-D-GN-25MM LDS REC - RIGHT ANGLE CR120
1	70464148	1N4148 75V 10MA SILICON DIODE CR121
4	70464003	1N4003 200V SILICON DIODE CR123, CR124, CR125, CR126
2	70430050	SZP30050 16V 1 WATT 5% ZENER DIODE T&R CR127, CR131
1	70402504	BR. RECT, 400V, 25A, WIRE LEADS CR142
1	70450579	SE-8731-D-YEL-25MM LDS REC - RIGHT ANGLE CR219
1	70402504	BR. RECT, 400V, 25A, WIRE LEADS CR242
4	70901183	FUSECLIP, PC MT - T&A FC1, FC2, FC3, FC4
6	73716194	.250 PC MNT SPADE .093 PCB J107, J108, J109, J110, J111, J112
1	XXXXXXXX	3 EACH OF STAKE PINS J120
13	73716194	.250 PC MNT SPADE .093 PCB J207, J208, J209, J210, J211, J212, J400, J401, J402, J403, J404, J405, J406
1	XXXXXXXX	5 EACH OF STAKED PINS P122
1	70464249	2N4249/690 30V TO-92 PNP T&A Q105
2	70240018	1.5K-1/4W-5%-CF-T&R R137, R139
2	70250040	150-5W-10%-WW-AXL R143, R144
1	70240031	47K-1/4W-5%-CF-T&R R145
2	70250050	4K-5W-10%-WW-AXL R166, R167
1	70240018	1.5K-1/4W-5%-CF-T&R R237
2	70250050	4K-5W-10%-WW-AXL R265, R267
9	70901856	SPCR, 1/4,R(#4),.187 SW.AL S01, S02, S03, S04, S05, S06, S07, S08, S09
