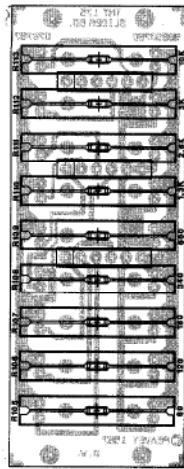


TNI-150
PREAMP

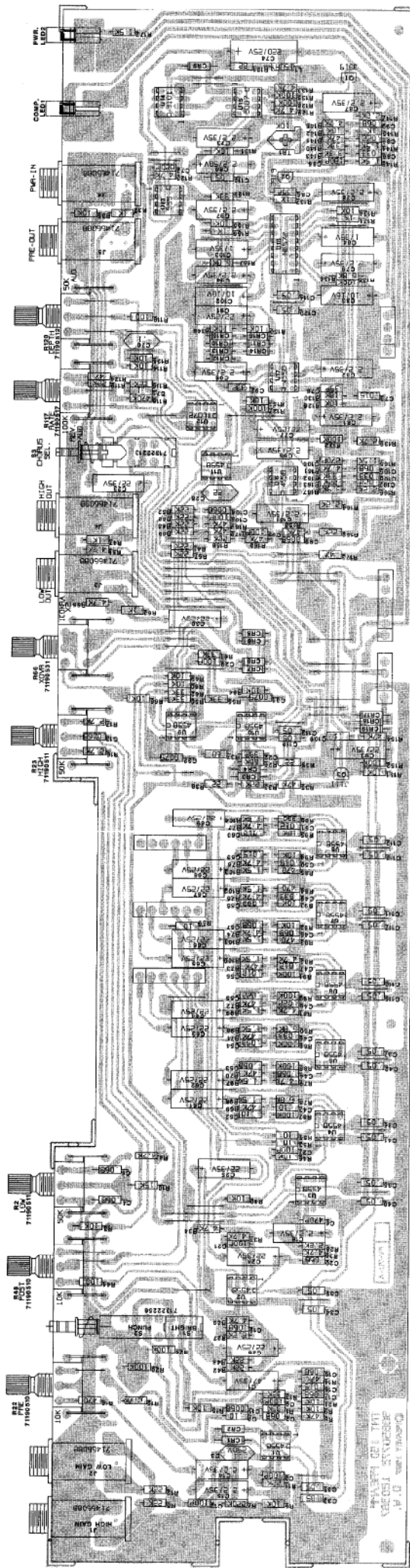
PEAVY ELECTRONICS CORP.
DRAWN BY: J. VAN...
DATE: 7-18-68

NOTES:
1. ALL DIMENSIONS IN INCHES UNLESS NOTED OTHERWISE.
2. ALL DIMENSIONS IN MILLIMETERS UNLESS NOTED OTHERWISE.
3. ALL DIMENSIONS IN MILLIMETERS UNLESS NOTED OTHERWISE.
4. ALL DIMENSIONS IN MILLIMETERS UNLESS NOTED OTHERWISE.
5. ALL DIMENSIONS IN MILLIMETERS UNLESS NOTED OTHERWISE.
6. ALL DIMENSIONS IN MILLIMETERS UNLESS NOTED OTHERWISE.
7. ALL DIMENSIONS IN MILLIMETERS UNLESS NOTED OTHERWISE.
8. ALL DIMENSIONS IN MILLIMETERS UNLESS NOTED OTHERWISE.
9. ALL DIMENSIONS IN MILLIMETERS UNLESS NOTED OTHERWISE.
10. ALL DIMENSIONS IN MILLIMETERS UNLESS NOTED OTHERWISE.

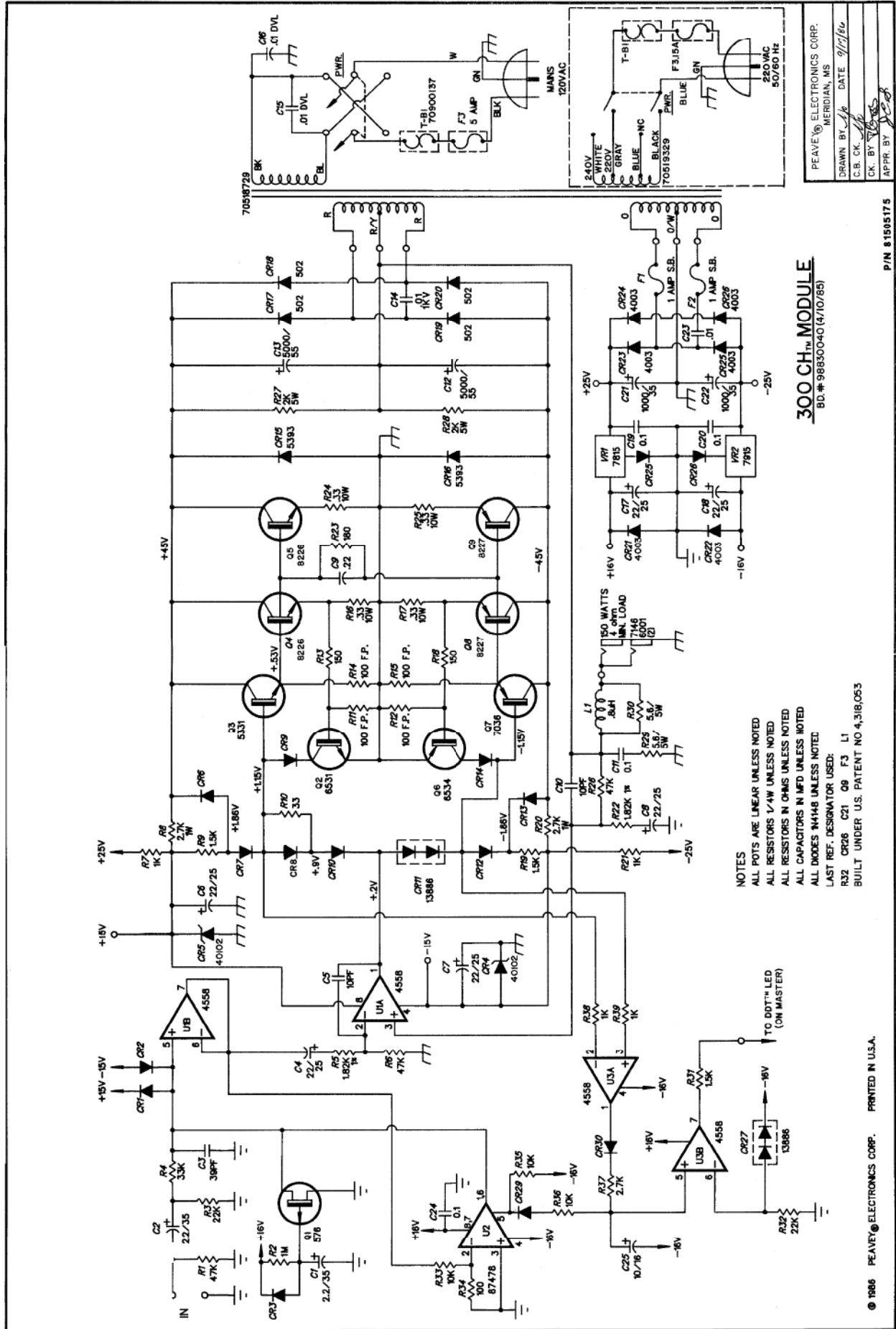
TNT™150



NOTE: ALL SLIDE POTS ARE 7109097



TRANS. CEL. THT
VARIABLE STABILIZER
W. D. WEST COMPANY



70518729

300 CH™ MODULE

BD.# 98830040 (4/10/85)

- ALL POTS ARE LINEAR UNLESS NOTED
- ALL RESISTORS 1/4W UNLESS NOTED
- ALL RESISTORS IN OHMS UNLESS NOTED
- ALL CAPACITORS IN MFD UNLESS NOTED
- ALL DIODES M4148 UNLESS NOTED
- LAST REF. DESIGNATOR USED:
- R32 CR26 C21 Q9 F3 L1

BUILT UNDER U.S. PATENT NO. 3,318,053

PEAVEY ELECTRONICS CORP.
MERIDIAN, MS
DRAWN BY: *JA* DATE: 9/17/86
C.S. CK: *JA*
CK. BY: *JA*
APPR. BY: *JA*

P/N 81505175

