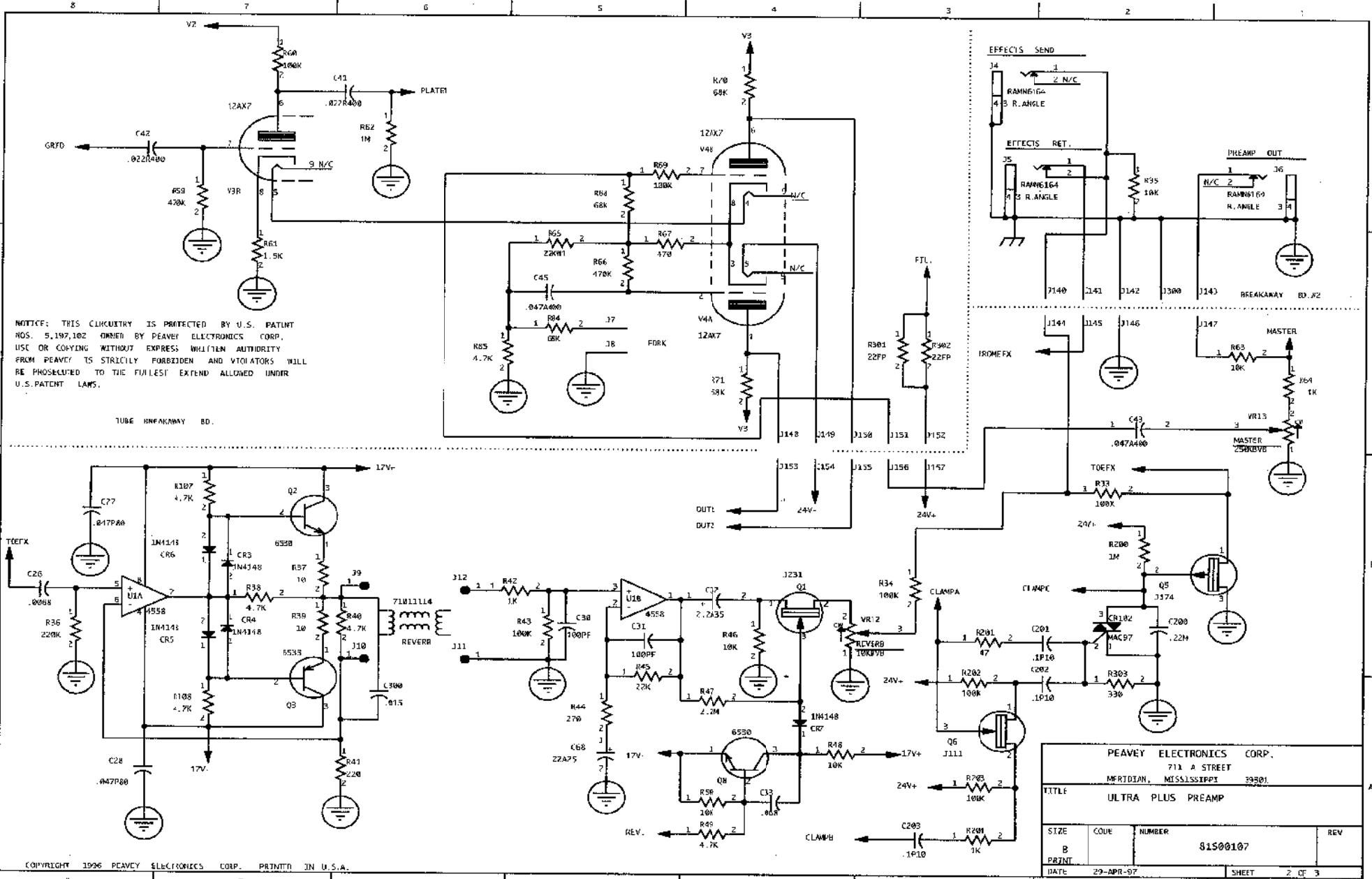


NOTICE: THIS CIRCUITRY IS PROTECTED BY U.S. PATENT NOS. 5,107,102 OWNED BY PEAVEY ELECTRONICS CORP. USE OR COPYING WITHOUT EXPRESS WRITTEN AUTHORITY FROM PEAVEY IS STRICTLY FORBIDDEN AND VIOLATORS WILL BE PROSECUTED TO THE FULLEST EXTENT ALLOWED UNDER U.S. PATENT LAWS.

PEAVEY ELECTRONICS CORP. 711 A STRETT MERTDIAN, MISSISSIPPI 39101			
TITLE ULTRA PLUS PREAMP CB #98852430			
SIZE B	CODE R31M	NUMBER 81500107	REV
DATE 29-APR-97		SHEET 1 OF 3	

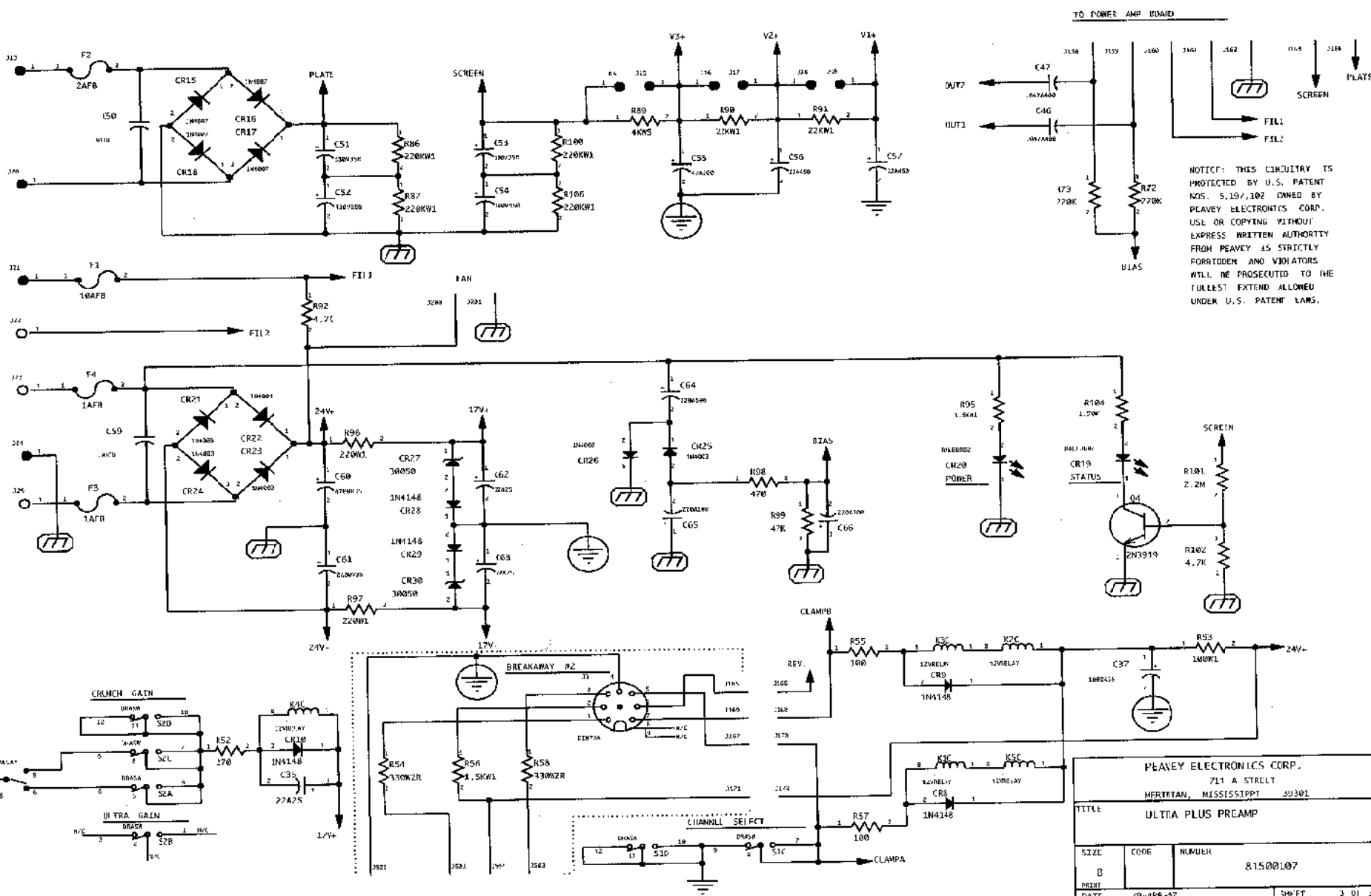


NOTICE: THIS CIRCUITRY IS PROTECTED BY U.S. PATENT NOS. 9,197,102 OWNED BY PEAVEY ELECTRONICS CORP. USE OR COPYING WITHOUT EXPRESS WRITTEN AUTHORITY FROM PEAVEY IS STRICTLY FORBIDDEN AND VIOLATORS WILL BE PROSECUTED TO THE FULLEST EXTENT ALLOWED UNDER U.S. PATENT LAWS.

TUBE BREAKAWAY BD.

PEAVEY ELECTRONICS CORP.			
711 A STREET			
MERTIDIAN, MISSISSIPPI 39301			
TITLE			
ULTRA PLUS PREAMP			
SIZE	CODE	NUMBER	REV
B		81500107	
DATE	29-APR-97		SHEET 2 OF 3

8 7 6 5 4 3 2 1



TO POWER AMP BOARD

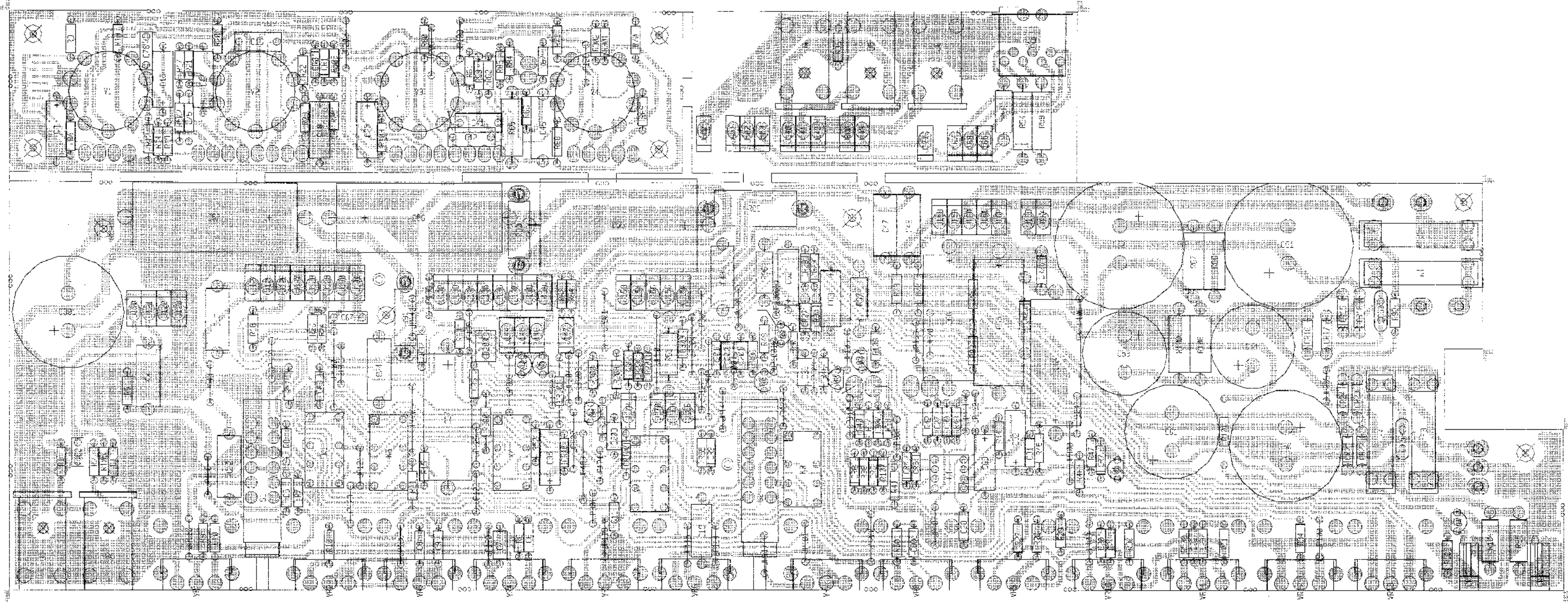
NOTICE: THIS CIRCUITRY IS PROTECTED BY U.S. PATENT NOS. 5,197,102 OWNED BY PEAVEY ELECTRONICS CORP. USE OR COPYING WITHOUT EXPRESS WRITTEN AUTHORITY FROM PEAVEY IS STRICTLY FORBIDDEN AND VIOLATORS WILL BE PROSECUTED TO THE FULLEST EXTENT ALLOWED UNDER U.S. PATENT LAWS.

PEAVEY ELECTRONICS CORP.
 711 A STREET
 MERIDIAN, MISSISSIPPI 39301

TITLE
 ULTRA PLUS PREAMP

SIZE B	CODE	NUMBER 81500107	REV
PRINT			
DATE 29-APR-57			SHEET 3 OF 3

8 7 6 5 4 3 2 1

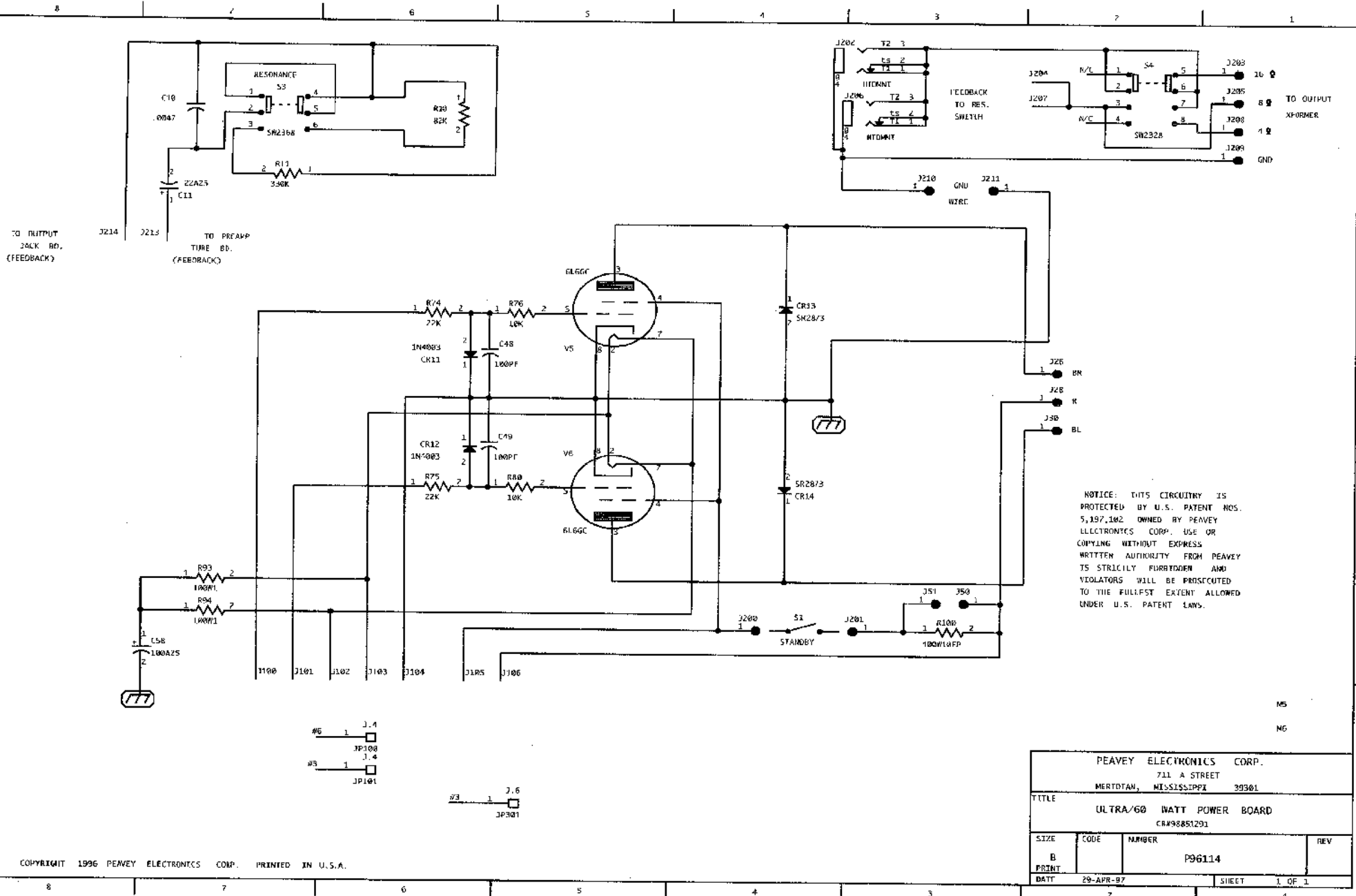


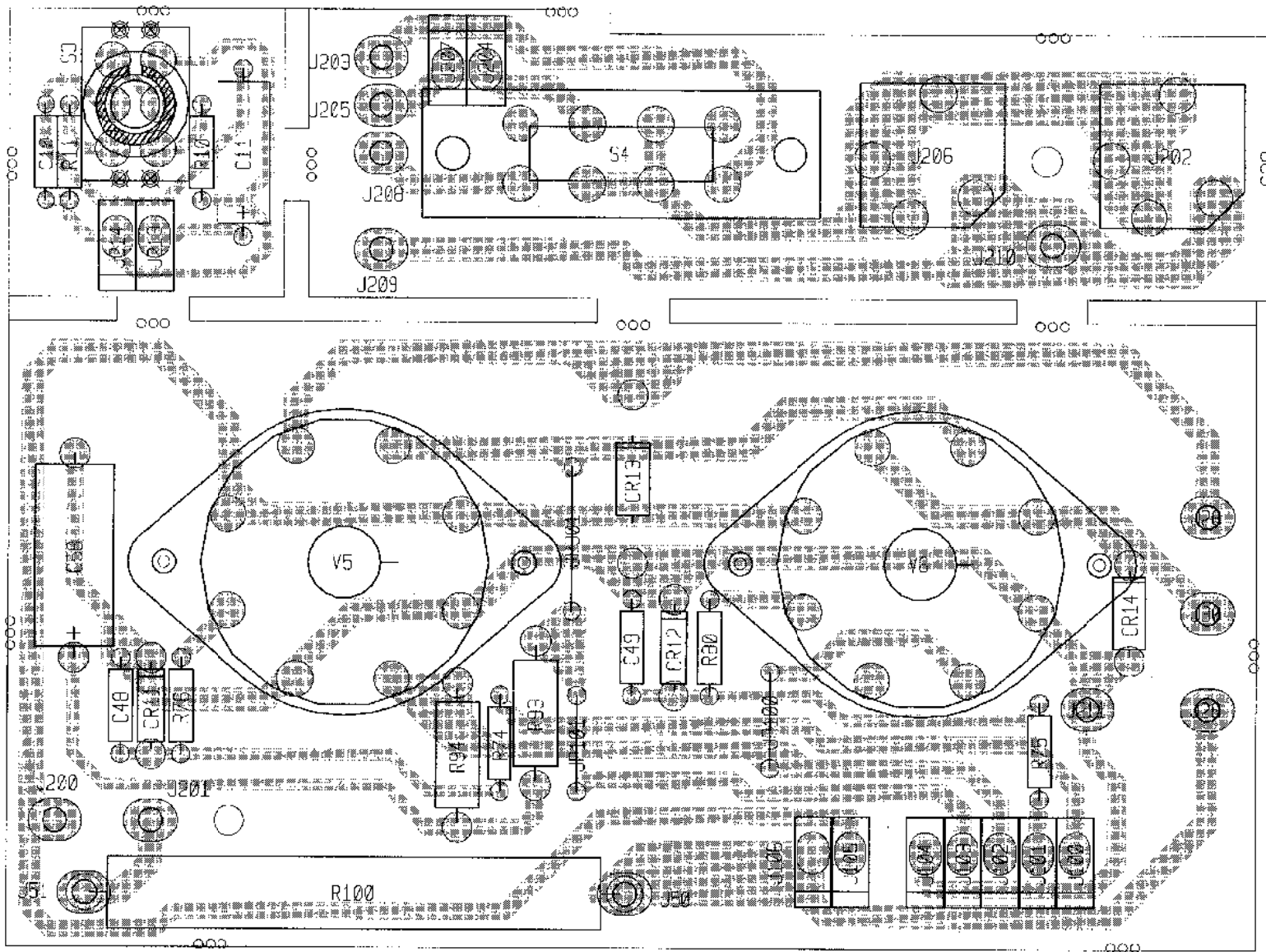
Ultra Plus Preamp

BOARD NAME: ULTRA PLUS PRAMP														
** QTY.	NAME	VALUE	PART NUMBER	DESCRIPTION AND DEVICE DESIGNATIONS										
1	39PF	39PF	70340052	39PF—50VDC—T/C—T&R	1	4700R35	4700R35	70350200	4700 MFD 35VDC RADIAL SNAP-IN	1	1.5K	1.5K	70240018	1.5K-1/4W-5%—CF-T&R
1	.022	.022	70340012	.022MF—10%—50VDC—NON—T&R	1	.022	.022	70340012	.022MF—10%—50VDC—NON—T&R	1	220K	220K	70240036	220K-1/4W-5%—CF-T&R
10	1N4148	4148	70464148	1N4148 75V 10MA SILICON DIODE	10	1N4148	4148	70464148	1N4148 75V 10MA SILICON DIODE	1	68K	68K	70240032	68K-1/4W-5%—CF-T&R
4	1N4007	1N4007	70464007	1N4007 1KV, 1A, SILICON DIODE	4	1N4007	1N4007	70464007	1N4007 1KV, 1A, SILICON DIODE	2	220K	220K	70240036	220K-1/4W-5%—CF-T&R
1	RALEDGN2	RALEDGN2	70460578	SE-8731-D-CN-25MM LDS REC - RIGHT ANGLE	1	RALEDGN2	RALEDGN2	70460578	SE-8731-D-CN-25MM LDS REC - RIGHT ANGLE	1	2.2M	2.2M	70240040	2.2M-1/4W-5%—CF-T&R
1	RALEDSD2	RALEDSD2	70460577	SE-8711-D-SD 25MM LDS REC - RIGHT ANGLE	1	RALEDSD2	RALEDSD2	70460577	SE-8711-D-SD 25MM LDS REC - RIGHT ANGLE	1	10K	10K	70240025	10K-1/4W-5%—CF-T&R
6	1N4003	1N4003	70464003	1N4003 300V SILICON DIODE	6	1N4003	1N4003	70464003	1N4003 300V SILICON DIODE	1	2.2M	2.2M	70240040	2.2M-1/4W-5%—CF-T&R
1	30050	30050	70430050	SE235050 18V 1 WATT 5% ZENER DIODE 1&R	1	30050	30050	70430050	SE235050 18V 1 WATT 5% ZENER DIODE 1&R	1	1M	1M	70240039	1M-1/4W-5%—CF-T&R
4	1N4148	4148	70464148	1N4148 75V 10MA SILICON DIODE	4	1N4148	4148	70464148	1N4148 75V 10MA SILICON DIODE	1	100K	100K	70240034	100K-1/4W-5%—CF-T&R
1	30050	30050	70430050	SE235050 18V 1 WATT 5% ZENER DIODE 1&R	1	30050	30050	70430050	SE235050 18V 1 WATT 5% ZENER DIODE 1&R	1	1.5K	1.5K	70240018	1.5K-1/4W-5%—CF-T&R
2	1N4148	4148	70464148	1N4148 75V 10MA SILICON DIODE	2	1N4148	4148	70464148	1N4148 75V 10MA SILICON DIODE	1	1M	1M	70240039	1M-1/4W-5%—CF-T&R
1	MAC97	MAC97	70460097	MAC97-5 400V .6A TO-92 TRANS T&R	1	MAC97	MAC97	70460097	MAC97-5 400V .6A TO-92 TRANS T&R	2	470K	470K	70240038	470K-1/4W-5%—CF-T&R
2	1N4148	4148	70464148	1N4148 75V 10MA SILICON DIODE	2	1N4148	4148	70464148	1N4148 75V 10MA SILICON DIODE	1	47K	47K	70240031	47K-1/4W-5%—CF-T&R
1	10A13	10A13	70300370	10 AMP T&B FUSE WITH 2 FUSECLIPS F/0900516	1	10A13	10A13	70300370	10 AMP T&B FUSE WITH 2 FUSECLIPS F/0900516	1	150K	150K	70240035	150K-1/4W-5%—CF-T&R
1	3AFB	2AFB	70300133	AGC 2 AMP FUSE	1	3AFB	2AFB	70300133	AGC 2 AMP FUSE	1	1.5K	1.5K	70240018	1.5K-1/4W-5%—CF-T&R
2	1AFB	1AFB	70300026	AGC 1 AMP FUSE WITH 2 FUSECLIPS F/0900516	2	1AFB	1AFB	70300026	AGC 1 AMP FUSE WITH 2 FUSECLIPS F/0900516	1	680K	680K	70240026	680K-1/4W-5%—CF-T&R
2	RAM6164	71466164	71466164	JK R/A 12.5MM MIN BOND 88	2	RAM6164	71466164	71466164	JK R/A 12.5MM MIN BOND 88	1	1M	1M	70240039	1M-1/4W-5%—CF-T&R
1	DIN75A	71466226	71466226	CONE VP R/A POINT DIN W/ 4 MNT. HOLES	1	DIN75A	71466226	71466226	CONE VP R/A POINT DIN W/ 4 MNT. HOLES	1	100K	100K	70240034	100K-1/4W-5%—CF-T&R
3	RAM6164	71466164	71466164	JK R/A 12.5MM MIN BOND 88	3	RAM6164	71466164	71466164	JK R/A 12.5MM MIN BOND 88	1	1.5K	1.5K	70240018	1.5K-1/4W-5%—CF-T&R
2	SPXLD	SPXLD	73717003	1 STAKE PIN	2	SPXLD	SPXLD	73717003	1 STAKE PIN	1	47K	47K	70240031	47K-1/4W-5%—CF-T&R
4	MXPD	73711812	73711812	R93-12 EN C.B. MALE MOLEX PIN	4	MXPD	73711812	73711812	R93-12 EN C.B. MALE MOLEX PIN	1	10K	10K	70240025	10K-1/4W-5%—CF-T&R
3	MXPD	73711812	73711812	R92-12 EN C.B. MALE MOLEX PIN	3	MXPD	73711812	73711812	R92-12 EN C.B. MALE MOLEX PIN	1	100K	100K	70240034	100K-1/4W-5%—CF-T&R
1	SPXLD	SPXLD	73717003	1 STAKE PIN	1	SPXLD	SPXLD	73717003	1 STAKE PIN	1	150K	150K	70240035	150K-1/4W-5%—CF-T&R
2	MXPD	73711811	73711811	M118-171 C.B. FEMALE MOLEX PIN	2	MXPD	73711811	73711811	M118-171 C.B. FEMALE MOLEX PIN	1	220K	220K	70240026	220K-1/4W-5%—CF-T&R
1	MXPD	73711812	73711812	R93-12 EN C.B. MALE MOLEX PIN	1	MXPD	73711812	73711812	R93-12 EN C.B. MALE MOLEX PIN	1	240K	240K	70240034	240K-1/4W-5%—CF-T&R
1	SPXLD	SPXLD	73717003	1 STAKE PIN	1	SPXLD	SPXLD	73717003	1 STAKE PIN	5	100K	100K	70240034	100K-1/4W-5%—CF-T&R
28	SPXLD	SPXLD	73717003	1 STAKE PIN	28	SPXLD	SPXLD	73717003	1 STAKE PIN	1	10K	10K	70240025	10K-1/4W-5%—CF-T&R
1	SPXLD	SPXLD	73717003	1 STAKE PIN	1	SPXLD	SPXLD	73717003	1 STAKE PIN	1	220K	220K	70240036	220K-1/4W-5%—CF-T&R
1	SPXLD	SPXLD	73717003	1 STAKE PIN	1	SPXLD	SPXLD	73717003	1 STAKE PIN	1	10	10	70240025	10K-1/4W-5%—CF-T&R
1	SPXLD	SPXLD	73717003	1 STAKE PIN	1	SPXLD	SPXLD	73717003	1 STAKE PIN	1	4.7K	4.7K	70240023	4.7K-1/4W-5%—CF-T&R
1	SPXLD	SPXLD	73717003	1 STAKE PIN	1	SPXLD	SPXLD	73717003	1 STAKE PIN	1	10	10	70240023	10K-1/4W-5%—CF-T&R
1	SPXLD	SPXLD	73717003	1 STAKE PIN	1	SPXLD	SPXLD	73717003	1 STAKE PIN	1	4.7K	4.7K	70240023	4.7K-1/4W-5%—CF-T&R
1	SPXLD	SPXLD	73717003	1 STAKE PIN	1	SPXLD	SPXLD	73717003	1 STAKE PIN	1	220	220	70240026	220-1/4W-5%—CF-T&R
1	SPXLD	SPXLD	73717003	1 STAKE PIN	1	SPXLD	SPXLD	73717003	1 STAKE PIN	1	1M	1M	70240017	1M-1/4W-5%—CF-T&R
1	SPXLD	SPXLD	73717003	1 STAKE PIN	1	SPXLD	SPXLD	73717003	1 STAKE PIN	1	100K	100K	70240034	100K-1/4W-5%—CF-T&R
1	SPXLD	SPXLD	73717003	1 STAKE PIN	1	SPXLD	SPXLD	73717003	1 STAKE PIN	1	270	270	70240013	270-1/4W-5%—CF-T&R
1	SPXLD	SPXLD	73717003	1 STAKE PIN	1	SPXLD	SPXLD	73717003	1 STAKE PIN	1	22K	22K	70240029	22K-1/4W-5%—CF-T&R
1	SPXLD	SPXLD	73717003	1 STAKE PIN	1	SPXLD	SPXLD	73717003	1 STAKE PIN	1	10K	10K	70240025	10K-1/4W-5%—CF-T&R
1	SPXLD	SPXLD	73717003	1 STAKE PIN	1	SPXLD	SPXLD	73717003	1 STAKE PIN	1	2.2M	2.2M	70240040	2.2M-1/4W-5%—CF-T&R
1	SPXLD	SPXLD	73717003	1 STAKE PIN	1	SPXLD	SPXLD	73717003	1 STAKE PIN	1	10K	10K	70240025	10K-1/4W-5%—CF-T&R
1	SPXLD	SPXLD	73717003	1 STAKE PIN	1	SPXLD	SPXLD	73717003	1 STAKE PIN	1	4.7K	4.7K	70240023	4.7K-1/4W-5%—CF-T&R
1	SPXLD	SPXLD	73717003	1 STAKE PIN	1	SPXLD	SPXLD	73717003	1 STAKE PIN	1	100K	100K	70240034	100K-1/4W-5%—CF-T&R
1	SPXLD	SPXLD	73717003	1 STAKE PIN	1	SPXLD	SPXLD	73717003	1 STAKE PIN	1	270	270	70240013	270-1/4W-5%—CF-T&R
1	SPXLD	SPXLD	73717003	1 STAKE PIN	1	SPXLD	SPXLD	73717003	1 STAKE PIN	1	100K	100K	70240034	100K-1/4W-5%—CF-T&R
1	SPXLD	SPXLD	73717003	1 STAKE PIN	1	SPXLD	SPXLD	73717003	1 STAKE PIN	1	330W2R	330W2R	70240014	330 350W-5%—NO AXL
1	SPXLD	SPXLD	73717003	1 STAKE PIN	1	SPXLD	SPXLD	73717003	1 STAKE PIN	1	100	100	70240010	100-1/4W-5%—CF-T&R
1	SPXLD	SPXLD	73717003	1 STAKE PIN	1	SPXLD	SPXLD	73717003	1 STAKE PIN	1	1.5K	1.5K	70240018	1.5K-1/4W-5%—CF-T&R
1	SPXLD	SPXLD	73717003	1 STAKE PIN	1	SPXLD	SPXLD	73717003	1 STAKE PIN	1	100	100	70240010	100-1/4W-5%—CF-T&R

1	330W2R	330W2R	70250074	330-RSS2W-5%-MO-AXI. R58
1	470K	470K	70240038	470K-1/4W-5%-CF-T&R R59
1	100K	100K	70240034	100K-1/4W-5%-CF-T&R R60
1	1.5K	1.5K	70240018	1.5K-1/4W-5%-CF-T&R R61
1	1M	1M	70240039	1M-1/4W-5%-CF-T&R R62
1	10K	10K	70240025	10K-1/4W-5%-CF-T&R R63
1	1K	1K	70240017	1K-1/4W-5%-CF-T&R R64
2	22KW1	22KW1	70210005	22K-1W-5%-MO-T&R R65
1	470K	470K	70240038	470K-1/4W-5%-CF-T&R R66
1	470	470	70240015	470-1/4W-5%-CF-T&R R67
1	68K	68K	70240037	68K-1/4W-5%-CF-T&R R68
1	100K	100K	70240034	100K-1/4W-5%-CF-T&R R69
2	68K	68K	70240032	68K-1/4W-5%-CF-T&R R70, R71
2	220K	220K	70240036	220K-1/4W-5%-CF-T&R R72, R73
1	68K	68K	70240032	68K-1/4W-5%-CF-T&R R74
1	4.7K	4.7K	70240023	4.7K-1/4W-5%-CF-T&R R75
2	220KW1	220KW1	70210008	220K-1W-5%-MO-T&R R76, R77
1	4KW5	4KW5	70250050	4K-5W-10%-MO-AXI. R78
2	22KW1	22KW1	70210005	22K-1W-5%-MO-T&R R79, R80
1	4.7K	4.7K	70240023	4.7K-1/4W-5%-CF-T&R R81
1	1.5KW1	1.5KW1	70210007	1.5K-1W-5%-MO-T&R R82
2	220W1	220W1	70210019	220-1W-5%-MO-T&R R83, R84
1	470	470	70240015	470-1/4W-5%-CF-T&R R85
1	47K	47K	70240021	47K-1/4W-5%-CF-T&R R86
1	220KW1	220KW1	70210005	220K-1W-5%-MO-T&R R87
1	2.2K	2.2K	70240040	2.2K-1/4W-5%-CF-T&R R88
1	4.7K	4.7K	70240023	4.7K-1/4W-5%-CF-T&R R89
1	1.5K	1.5K	70240018	1.5K-1/4W-5%-CF-T&R R90
1	0.5KW1	1.5KW1	70210007	1.5K-1W-5%-MO-T&R R91
1	470K	470K	70240038	470K-1/4W-5%-CF-T&R R92
1	220KW1	220KW1	70210008	220K-1W-5%-MO-T&R R93
2	4.7K	4.7K	70240023	4.7K-1/4W-5%-CF-T&R R94, R95
1	1M	1M	70240039	1M-1/4W-5%-CF-T&R R96
1	47	47	70240008	47-1/4W-5%-CF-T&R R97
2	100K	100K	70240034	100K-1/4W-5%-CF-T&R R98, R99
1	1K	1K	70240017	1K-1/4W-5%-CF-T&R R100
1	100K	100K	70240034	100K-1/4W-5%-CF-T&R R101
2	22FP	22FP	70240100	22FP-1/4W-5%-CF-T&R R102, R103
1	330	330	70240014	330-1/4W-5%-CF-T&R R104
1	10K	10K	70240025	10K-1/4W-5%-CF-T&R R105
1	22K	22K	70240029	22K-1/4W-5%-CF-T&R R106
1	470K	470K	70240038	470K-1/4W-5%-CF-T&R R107
1	1M	1M	70240039	1M-1/4W-5%-CF-T&R R108
2	DRASW	DRASW	71322256	PC MNT SWITCH (UA) R109
5	3753CW	70900295	70900295	SPACER, 3/8, R114, 1/8" SWAGE ALUM. R110, R111, R112, R113, R114
1	4558	4558	70404558	IC RC-4558, 2 DUAL IN-PKG IC R115
1	12AX7	12AX7	70806612	12AX7 VACUUM TUBE W/S PIN SO MNT SOCKET R116, R117, R118, R119
1	1MAVBP5	71190522	71190522	1 MEG AUD MIN VFC 5% TA'NR W/BRKT VR1

1	250KAVR	71190514	71190514	250K AUD MIN VFC W/BRACKET VR2
1	50KBVB	71190511	71190511	50K LIN MIN VFC W/BRACKET VR3
1	250KBVB	71190513	71190513	250K LIN MIN VFC W/BRACKET VR4
1	50KAVS	71190512	71190512	50K AUD MIN VFC W/BRACKET VR5
1	100KBVB	71190517	71190517	100K LIN MIN VFC W/BRACKET VR6
1	1MAVBP5	71190522	71190522	1 MEG AUD MIN VFC 5% TA'NR W/BRKT VR7
1	100KBVB	71190517	71190517	100K LIN MIN VFC W/BRACKET VR8
3	250KAVB	71190515	71190515	250K LIN MIN VFC W/BRACKET VR9, VR10, VR11
1	10KBVB	71190510	71190510	10K LIN MIN VFC W/BRACKET VR12
1	250KBVB	71190515	71190515	250K LIN MIN VFC W/BRACKET VR13

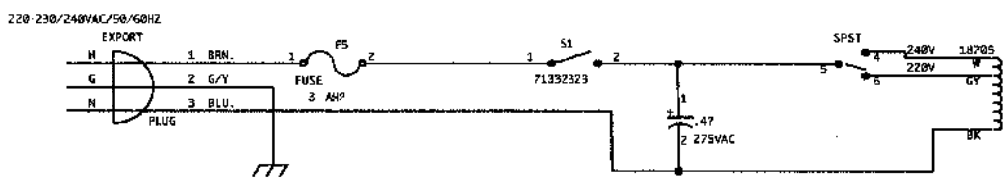
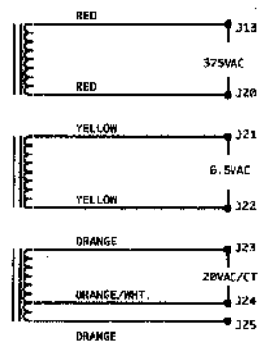
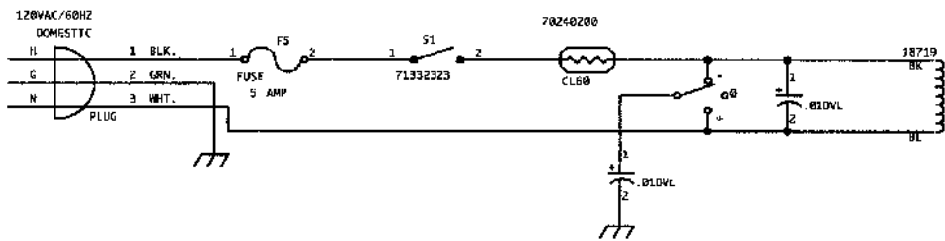




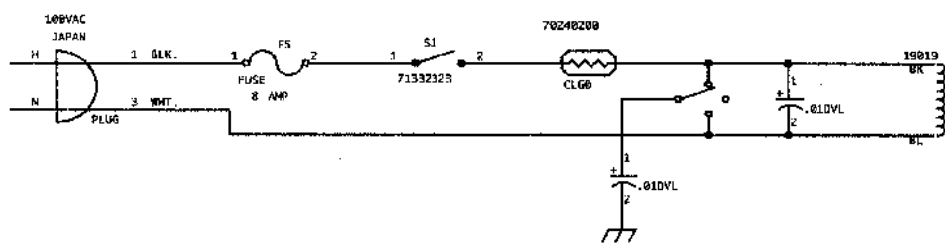
ULTRA 60 POWER

BOARD NAME: JLIKA+PWR

** QTY *	PART NAME	VALUE	PART NUMBER	DESCRIPTION AND DEVICE DESTINATIONS
1	.0047	.0047	70340007	.0047M-108-50VDC-RON-TWR C10
1	22A25	22A25	70373012	22KFD +/-20% 25VDC BL AXL C11
2	100PF	100PF	70340054	100PF-108-50VDC-T/C-T&R C48, C49
1	100A25	100A25	70383014	100 MFD 25VDC ELECTIC CAP C58
2	1M/003	1M/003	70464003	1M4003 200V SILICON DIODE CR11, CR12
2	SR2873	SR2873	70402873	SR2873 2KV, 250MA SILICON DIODE CR13, CR14
5	MMPD	73711812	73711812	R93-12 2N C.B. MALE MOLEX PIN J26, J28, J30, J50, J51
7	SPX1D	SPX1D	73717003	1 STAKE PIN J100, J101, J102, J103, J104, J105, J106
2	MMPD	73711812	73711812	R93-12 2N C.B. MALE MOLEX PIN J200, J201
1	HIDWMT	71466214	71466214	2 T-P HTD JACK NTRS W/SPD J202
2	MMPD	73711812	73711812	R93-12 2N C.B. MALE MOLEX PIN J203
2	SPX1D	SPX1D	73717003	1 STAKE PIN J204
1	MMPD	73711812	73711812	R93-12 2N C.B. MALE MOLEX PIN J205
1	HIDWMT	71466214	71466214	2 TIF HD JACK NTRS W/SPD J206
1	SPX1D	SPX1D	73717003	1 STAKE PIN J207
4	MMPD	73711812	73711812	R93-12 2N C.B. MALE MOLEX PIN J208, J209, J210, J211
2	SPX1D	SPX1D	73717003	1 STAKE PIN J212, J214
1	82K	82K	70240033	R2K-1/4W-5%-CP-TWR R10
1	330K	330K	70240033	330K-1/4W-5%-CP-TWR R11
2	22K	22K	70240029	22K-1/4W-5%-CP-T&R R74, R75
2	10K	10K	70240025	10K-1/4W-5%-CP-T&R R76, R80
2	100W1	100W1	70210003	100-1W-5%-KO-T&R R93, R94
1	400W10FP	400W10FP	70250019	400-10W-10%-F9-AXL R100
1	SR2368	SR2368	71322368	S2PT TANGLED SWITCH S3
1	SR2368	SR2368	71322368	S2PT PC MOUNT SLIDE SWITCH S4
2	EL6GC	EL6GC	70806804	6-6GC VACUUM TUBE W/8 PIN SOCKET V5, V6



AC/SECONDARY
SAME AS ABOVE



AC/SECONDARY
SAME AS ABOVE

PEAVEY ELECTRONICS CORP.			
711 A STREET			
MERIDIAN, MISSISSIPPI 39301			
TITLE		ULTRA PLUS/AC	
PRIMARY & SECONDARY WIRING			
SIZE	CODE	NUMBER	REV
B		#81500059	
PRINT			
DATE	10-APR-96	SHEET	1 OF 1