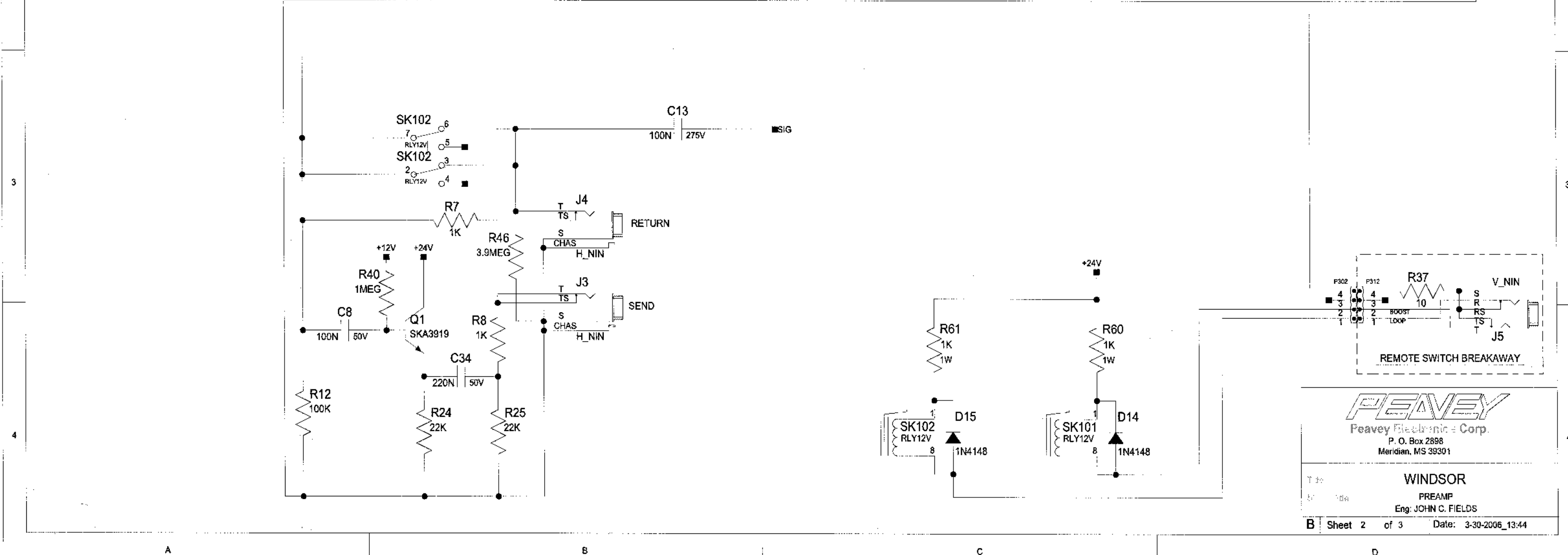
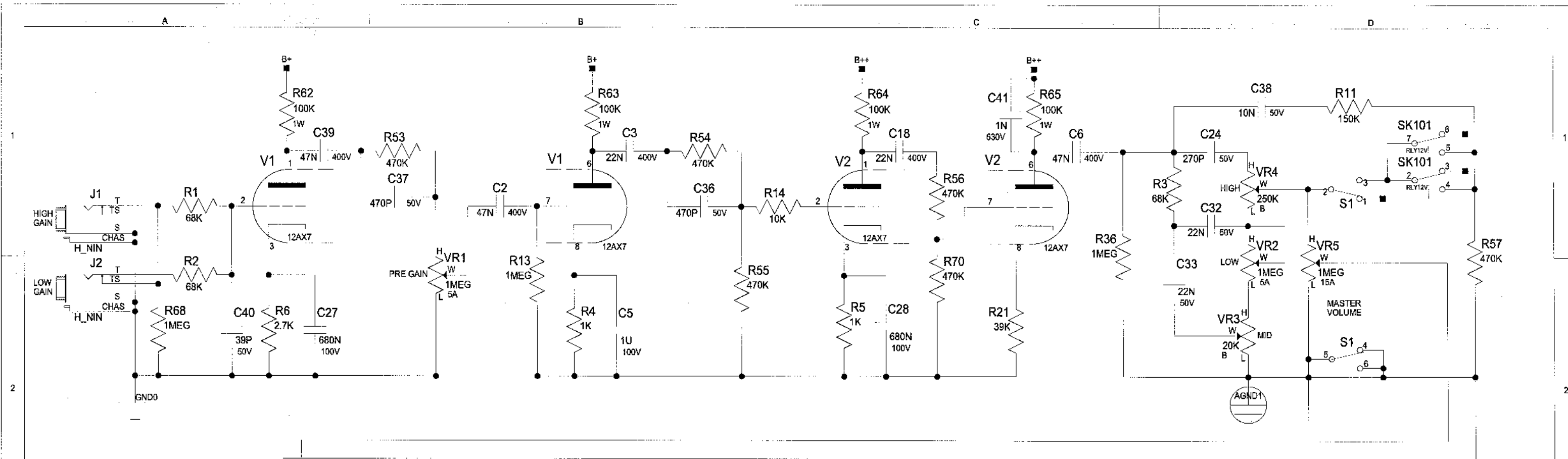


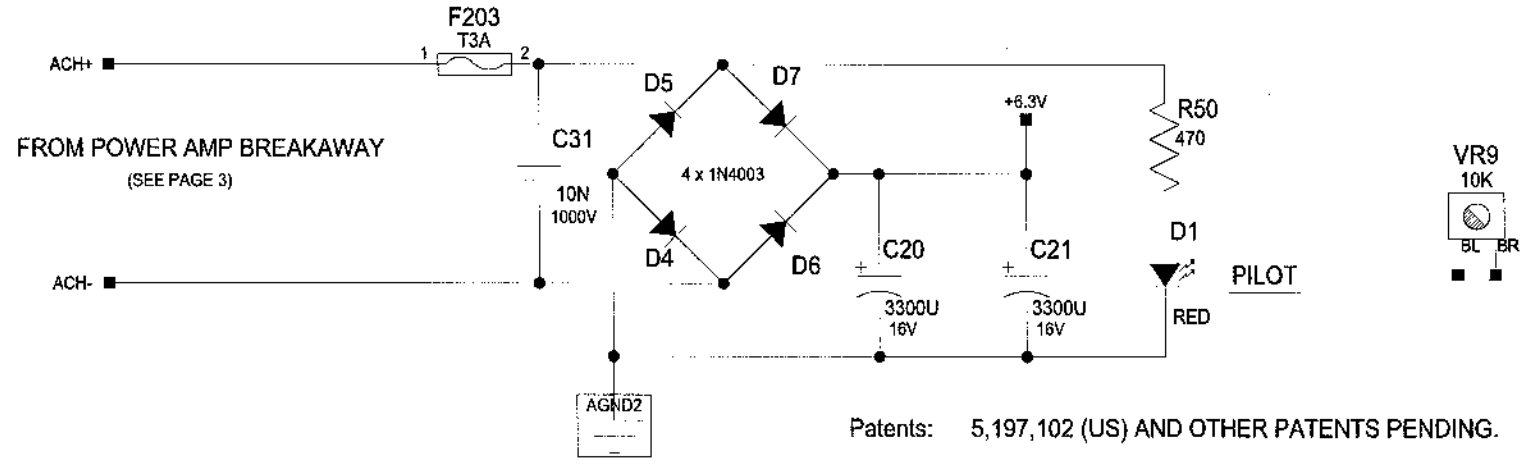
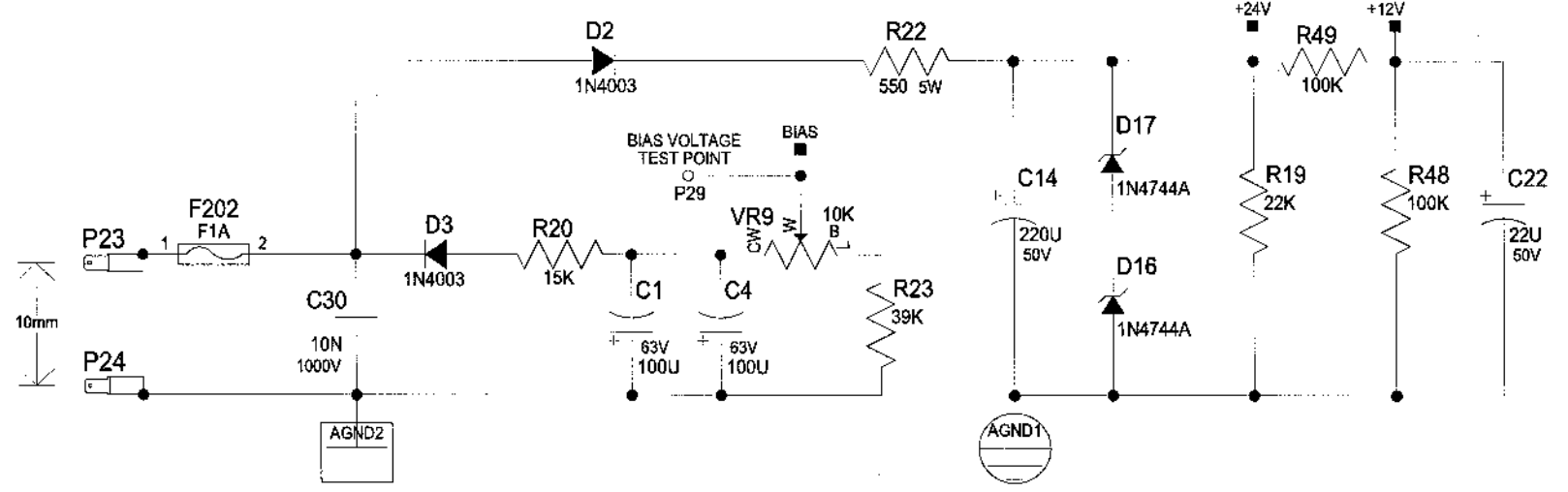
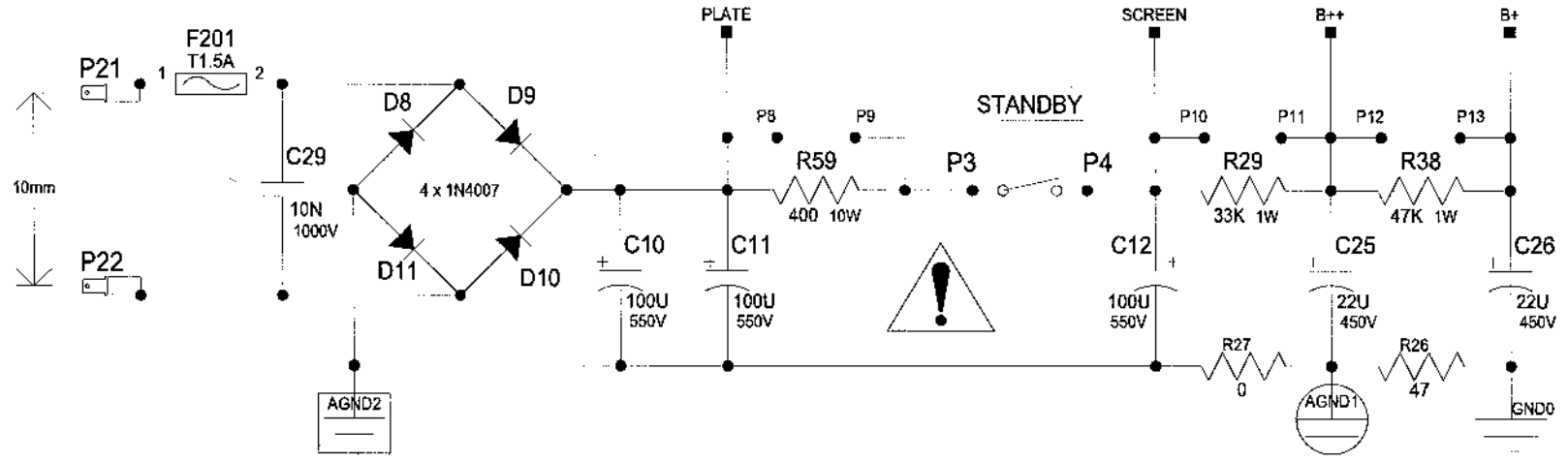
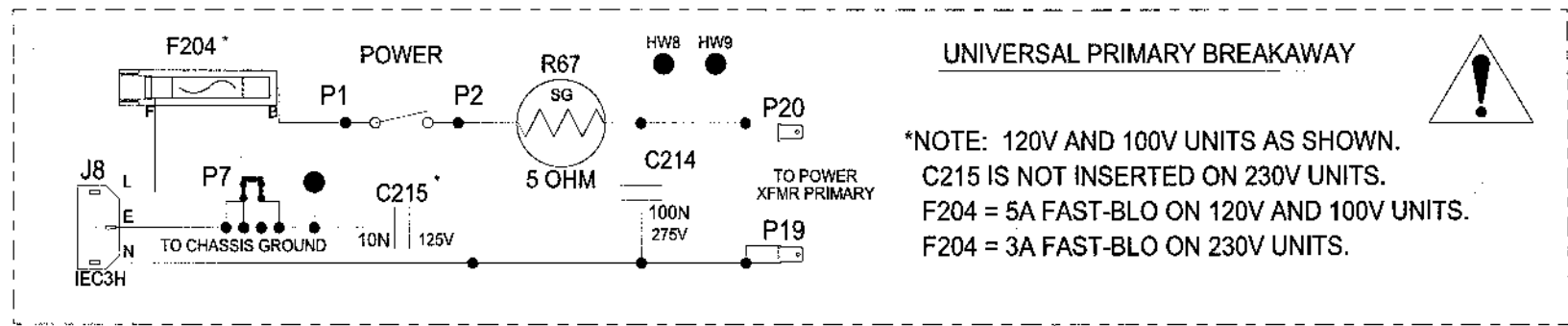
PEAVEY
 Peavey Electronics Corp.
 P. O. Box 2898
 Meridian, MS 39301

Title: **WINDSOR**
 Sheet: **POWER AMP**
 Eng: **JOHN C. FIELDS**



PEAVEY
 Peavey Electronic Corp.
 P. O. Box 2898
 Meridian, MS 39301

WINDSOR
 PREAMP
 Eng: JOHN C. FIELDS



Note: All thru hole Resistors are 1/4 Watt unless otherwise indicated.
All SMT 1206 Resistors are 1/4 Watt.
All SMT 0805 Resistors are 1/10 Watt.
Note Capacitor Values are indicated as Follows:
val P = pF (picoFarads) val * 10 exp-12
val N = nF (nanoFarads) val * 10 exp-9 (1N=1000pF, 100N=0.1uF)
val U = uF (microFarads) val * 10 exp-6

Patents: 5,197,102 (US) AND OTHER PATENTS PENDING.

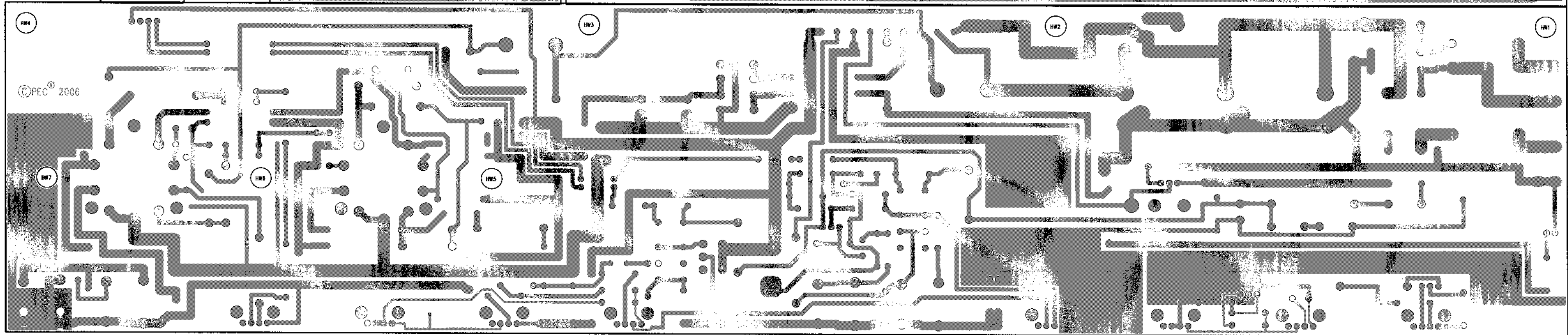
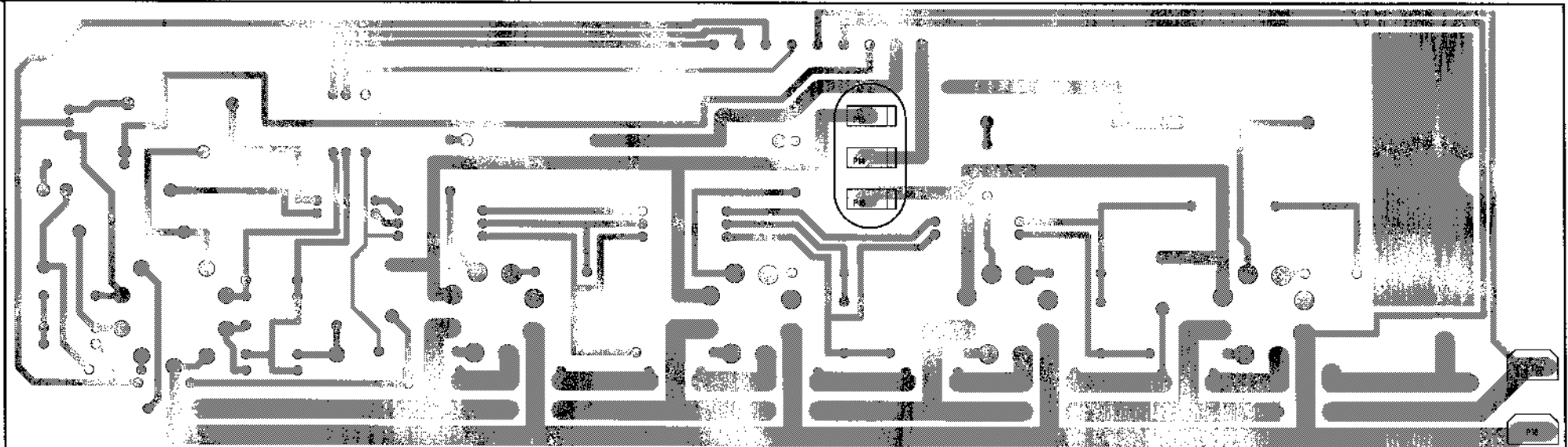
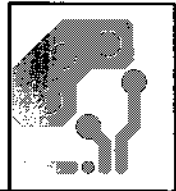
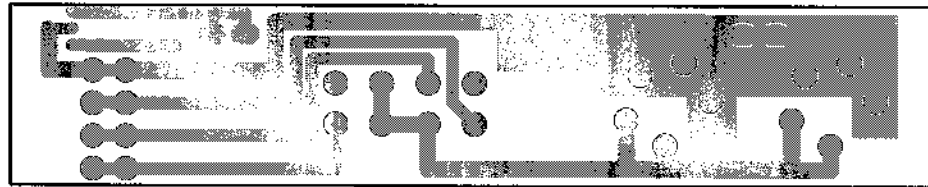
Copyright Peavey Electronics Corporation 2005.

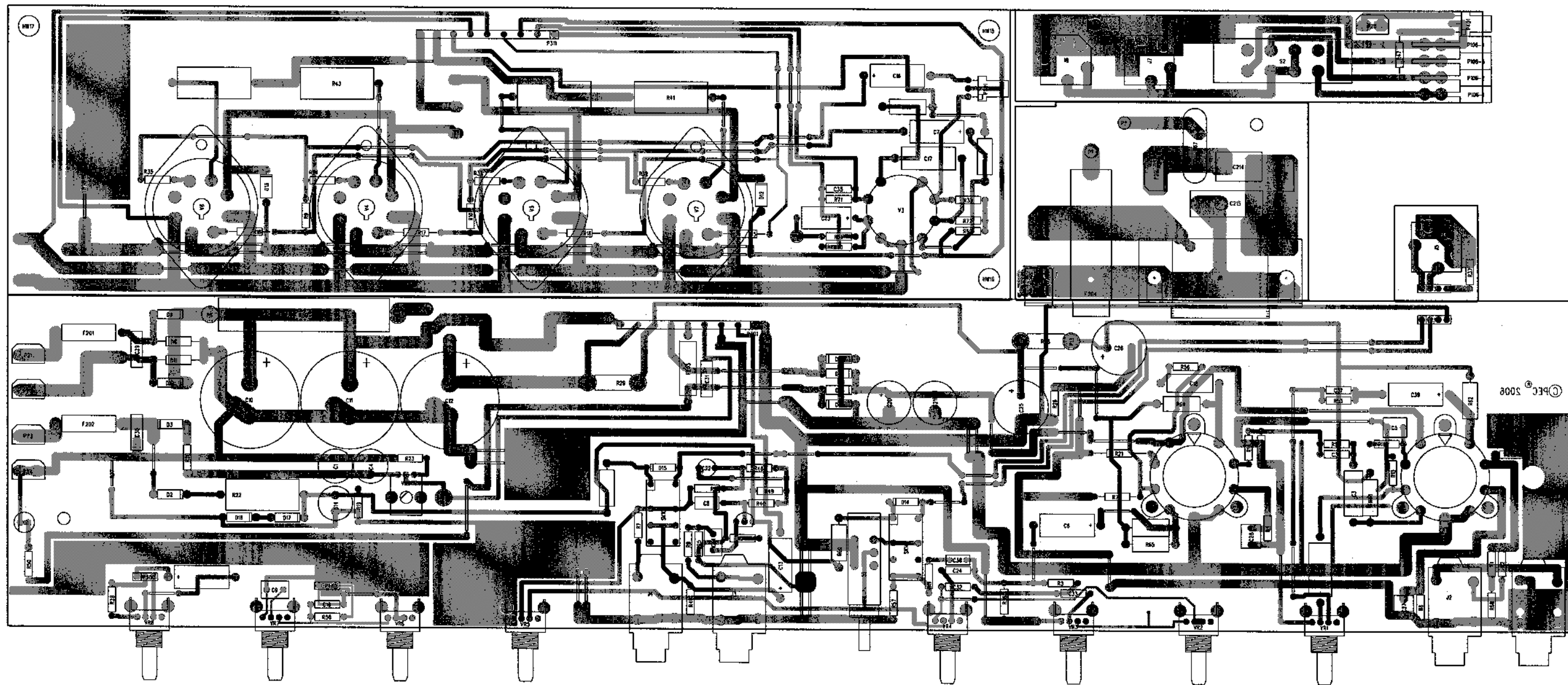
Company Proprietary Information



WINDSOR

Title:	COVER / POWER SUPPLY
Project Number:	P0500123
Eng: J. C. FIELDS	Release Date:
B Sheet 1 of 3	Saved: 3-30-2006_14:33





BILL OF MATERIAL REPORT

REPORT DATE/TIME: 7/21/2006 9:47:06 AM

BOARD NAME: Windsor Amp ASSEMBLY LEVEL NUMBER: 99094791

PROJECT NUMBER: F0500123 DESIGNER: FJE

Qty.	Part #	Description	Reference Designators
2	30210000	1K 1W 5% MO AXL	R60 R61
1	30210008	220K 1W 5% MO AXL	R45
5	30210017	100K 1W 5% MO AXL	R62 R63 R64 R65 R66
1	30210027	33K 1W 5% MO AXL	R29
2	30240015	470 1/4W 5% CF AXL	R50 R51
2	30240017	1K 1/4W 5% CF AXL	R4 R5
1	30240019	820 1/4W 5% CF AXL	R58
1	30240021	2700 1/4W 5% CF AXL	R6
5	30240025	10K 1/4W 5% CF AXL	R14 R15 R16 R17 R18
1	30240027	15K 1/4W 5% CF AXL	R20
1	30240029	22K 1/4W 5% CF AXL	R19
3	30240032	68K 1/4W 5% CF AXL	R1 R2 R3
3	30240034	100K 1/4W 5% CF AXL	R12 R48 R49
1	30240035	150K 1/4W 5% CF AXL	R11
6	30240038	470K 1/4W 5% CF AXL	R53 R54 R55 R56 R57 R70
4	30240039	1M 1/4W 5% CF AXL	R13 R36 R40 R68
1	30240048	39K 1/4W 5% CF AXL	R21
1	30320104	0.010F 125V-20% "X" RADH	C215
3	30320105	0.047UF 400V 10% PES AXL	C2 C6 C39

1	30320181	22UF	50V 20% EL	RAD	C22
1	30320187	220UF	50V 20% EL	RAD	C14
1	30320281	1000PF	630V 10% PE	AXL	C41
2	30320283	0.022UF	400V 10% PE	AXL	C3 C18
1	30320334	0.1UF	250V 10% PE	AXL	C13
2	30320335	3300UF	16V 20% EL	RADH	C20 C21
3	30320573	100UF	550V 20% EL	SNPH	C10 C11 C12
2	30330128	0.22UF	50V 5% PE	RAD	C9 C34
2	30330149	0.68UF	100V 5% PES	RAD	C27 C28
1	30330150	1UF	100V 5% PES	RAD	C5
1	30330155	0.01UF	50V 5% PE	RAD	C38
1	30340052	39PF	50V 5% NPO	AXL	C40
2	30340058	470PF	50V 10% NPO	AXL	C36 C37
2	30464744	1N4744A	15V 1W 5% ZENER		D16 D17
1	30600136	0	OHM 22GA	JMPR AXL	R27
1	30806631	TUBE SKT	9PIN CERAMIC		V3
4	30806632	TUBE SKT	OCTAL 6L6GC		V4 V5 V6 V7
2	30806633	TUBE SKT	9PIN SNAP-IN CERAMIC		V1 V2
1	30901182	FUSE, 3A	250V 2AG T&R		F203
4	31600266	700	5W 10% WW	AXLH SL	R41 R42 R43 R44
1	31600269	550	5W 10% WW	AXLH SL	R22
2	33716194	SPADE .250	PC MNT .093		P17 P18
4	33716927	.250	PC MNT R/A SPADE		P106-1 P106-2 P106-3 P106-4
1	70210004	47K	1W 5% MO	AXL	R38
1	70240003	10	1/4W 5% CF	AXL	R37
2	70240017	1K	1/4W 5% CF	AXL	R7 R8
6	70240018	1500	1/4W 5% CF	AXL	R30 R31 R32 R33

						R34 R35
2	70240029	22K	1/4W	5% CF	AXL	R24 R25
1	70240030	33K	1/4W	5% CF	AXL	R47
1	70240033	82K	1/4W	5% CF	AXL	R28
1	70240034	100K	1/4W	5% CF	AXL	R52
2	70240036	220K	1/4W	5% CF	AXL	R9 R10
2	70240039	1M	1/4W	5% CF	AXL	R71 R72
1	70240048	39K	1/4W	5% CF	AXL	R23
1	70240064	3.9M	1/4W	5% CF	AXL	R46
1	70240090	47	1/4W	5% FP	AXL	R26
1	70240210	5 OHM	12A	INRUSH	LIMITER	R67
1	70250019	400	10W	10% FP	AXLH	R59
1	70320012	22UF	25V	20% EL	AXL	C23
1	70320105	0.047UF	400V	10% PES	AXL	C7
3	70320248	0.01UF	1000V	80-20%	Z5U RAD	C29 C30 C31
2	70320264	100UF	63V	20% EL	RAD	C1 C4
3	70320334	0.1UF	250V	10% PE	AXL	C15 C16 C17
2	70320339	22UF	450V	20% EL	RADH	C25 C26
1	70320556	0.1UF	275V	10% "X"	RADH	C214
1	70340011	0.01UF	50V	10% X7R	AXL	C19
2	70340012	0.022UF	50V	10% X7R	AXL	C32 C33
1	70340054	100PF	50V	10% NPO	AXL	C35
1	70340057	270PF	50V	10% NPO	AXL	C24
1	70340101	0.1UF	50V	10% X7R	AXL	C8
2	70402873	SR2873	2KV,	250MA	DIODE	D12 D13
1	70450068	RED T1	3/4	LED S-BRT	BULK	D1
1	70463919	SKA3919	NPN	TO92	RAD	Q1
6	70464003	1N4003	200V	1A	SI DIODE	D2 D3 D4 D5 D6 D7

4	70464007	1M4007 1KV, 1A, SI DIODE	D8 D9 D10 D11
2	70464148	1M4148 75V 10MA DIODE	D14 D15
2	70600055	4C .100 STRP STRP 8" JMP	P302 P312
2	70600518	9C .200 STRP STRP 6" JMP	P301 P311
1	70901244	1A FUSE 5X15MM PIG TAIL T&R	F202
1	70901428	PWR INLET, RA SCREW MT PC RA GND	J8
1	70901429	EXT. FUSEHOLDER, PC MT	F204
1	70901446	FUSE, 1.5A--2AG--S/B--T&R	F201
1	70901785	SCREW TERM, 6-32 -PCB MT	P7
3	70901859	STND .500 T4-40, SW, AL, ST	HW15 HW16 HW17
9	70901890	STND .375 T4-40SW, AL, ST	HW1 HW2 HW3 HW4 HW5 HW6 HW7 HW8 HW9
1	71190256	10KB SNGL 9MM VER	VR9
1	71190902	10K15C SNGL 12MM HOR	VR7
1	71190903	20KB SNGL 12MM HOR	VR3
1	71190908	250KB SNGL 12MM HOR	VR4
3	71190910	1M5A SNGL 12MM HOR	VR1 VR2 VR6
1	71190911	1M15A SNGL 12MM HOR	VR5
1	71191012	1MB SNGL 12MM HOR	VR8
2	71322277	RELAY 12V DPDT .5A	SK101 SK102
1	71322289	SWITCH DPDT PP 3.3MM PC H	S1
1	71322328	SWITCH 2P3T SLIDE PC V	S2
3	71466217	STEREO HID JACK NINS W/SPD	J5 J6 J7
4	71466322	JACK, MONO R/A 1/4" 6.5MM NINS	J1 J2 J3 J4
1	73711811	PIN-F .093 MOLEX PC-MNT	P29
6	73711812	PIN-M .093 MOLEX PC-MNT	P8 P9 P10 P11 P12 P13
6	73713813	WR-TO-BD CRIMP TERM 18GA	P1 P2 P3 P4 P5 P6

8 73716194 SPADE .250 PC MNT .093 P19 P20 P21 P22
P23 P24 P25 P26

3 73717003 1 STAKE PIN .045 .625 TIN P14 P15 P16
2 73717052 3 HDR V SR .100" TIN P400 P500
2 73719080 3 HDR H SR .100" TIN LK P401 P501

84 JUMPER ???
JMP1 JMP2 JMP3 JMP4
JMP5 JMP6 JMP7 JMP8
JMP9 JMP10 JMP11 JMP12
JMP13 JMP14 JMP15 JMP16
JMP17 JMP18 JMP19 JMP20
JMP21 JMP22 JMP23 JMP24
JMP25 JMP26 JMP27 JMP28
JMP29 JMP30 JMP31 JMP32
JMP33 JMP34 JMP35 JMP36
JMP37 JMP38 JMP39 JMP40
JMP41 JMP42 JMP43 JMP44
JMP45 JMP46 JMP47 JMP48
JMP49 JMP50 JMP51 JMP52
JMP53 JMP54 JMP55 JMP56
JMP57 JMP58 JMP59 JMP60
JMP61 JMP62 JMP63 JMP64
JMP65 JMP66 JMP67 JMP68
JMP69 JMP70 JMP71 JMP72
JMP73 JMP74 JMP75 JMP76
JMP77 JMP78 JMP79 JMP80
JMP81 JMP82 JMP83 JMP84

1 PCB_PAD100 PCB PAD .100" OD .053" ID HM10
5 TAB_VCI ??? TAB1 TAB2 TAB3 TAB4
TAB7

END OF BILL OF MATERIAL REPORT
