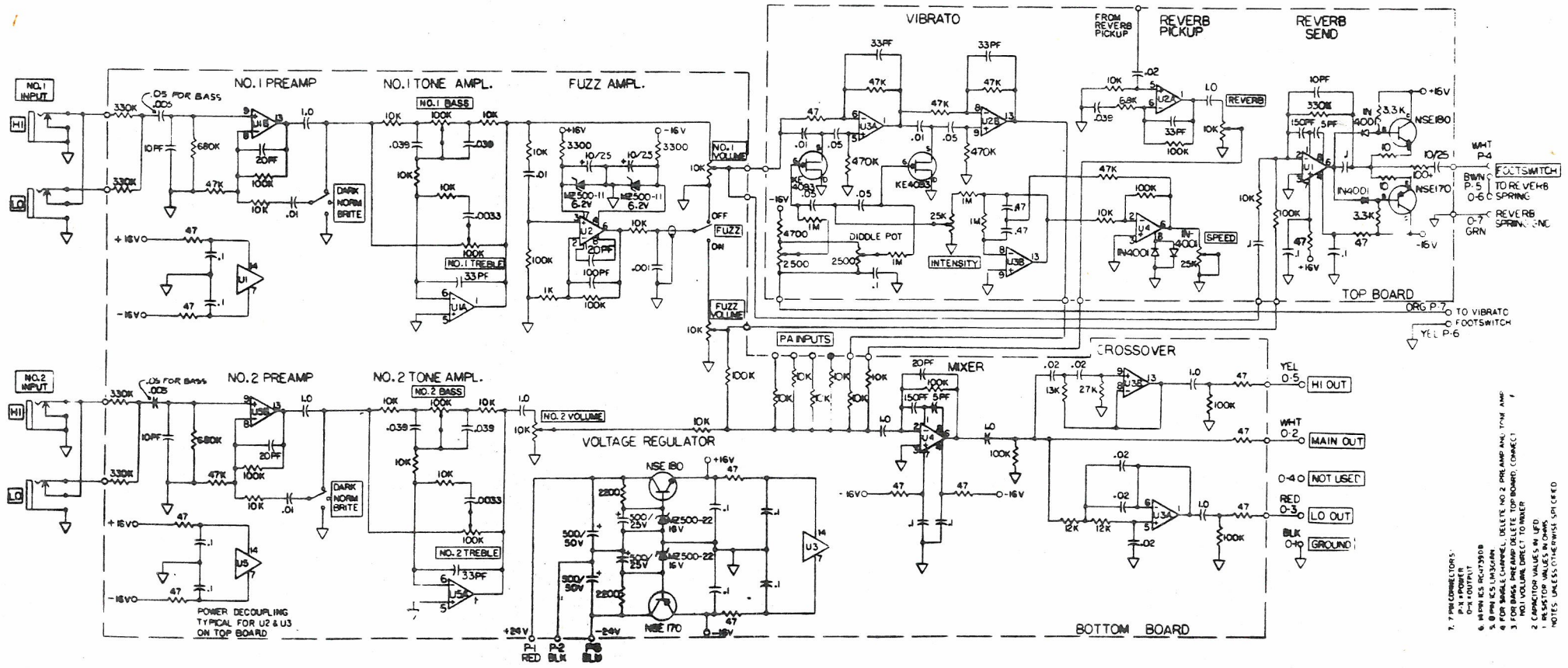


243053 ECG 128

# PREAMP SCHEMATIC Lead & Bass



7. 7 PRECONNECTORS:  
0-1 OUTPUT  
0-2 MAIN OUT  
0-3 LO OUT  
0-4 NOT USED  
0-5 HI OUT  
0-6 GROUND  
0-7 GRN REVERB SPRING  
0-8 BWN TO REVERB FACTSWITCH  
0-9 WHT

8. MIN RES RECT7909  
9. 8 PIN ES LIN308A  
4 FOR SMALL CHANNEL, DELETE NO.2 PREAMP AND TMR AMP  
5 FOR SMALL CHANNEL, DELETE NO.1 PREAMP AND FUZZ AMPL  
6 FOR SMALL CHANNEL, DELETE NO.2 PREAMP AND TMR AMP  
7 FOR SMALL CHANNEL, DELETE NO.1 PREAMP AND FUZZ AMPL  
8 FOR SMALL CHANNEL, DELETE NO.2 PREAMP AND TMR AMP  
9 FOR SMALL CHANNEL, DELETE NO.1 PREAMP AND FUZZ AMPL

1. RESISTOR VALUES IN LIST  
2. CAPACITOR VALUES IN LIST  
NOTES: UNLESS OTHERWISE SPECIFIED

POLYTONE MUSICAL INSTRUMENTS INC.