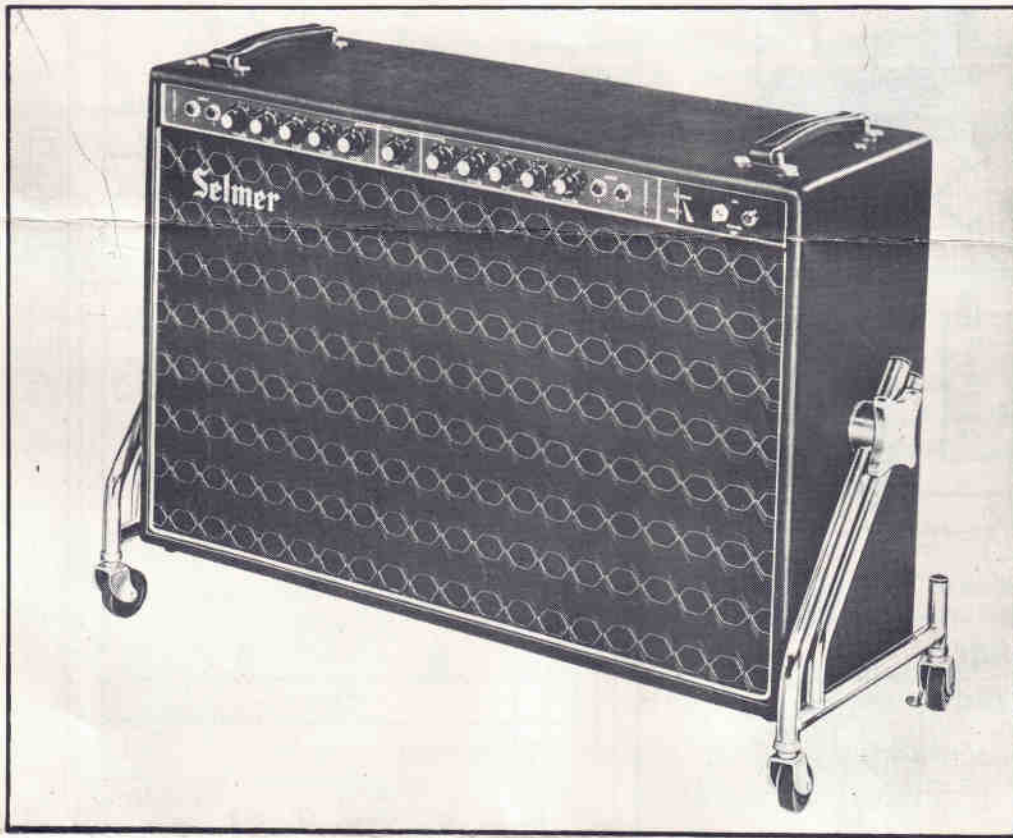


Selmer



Instructions:

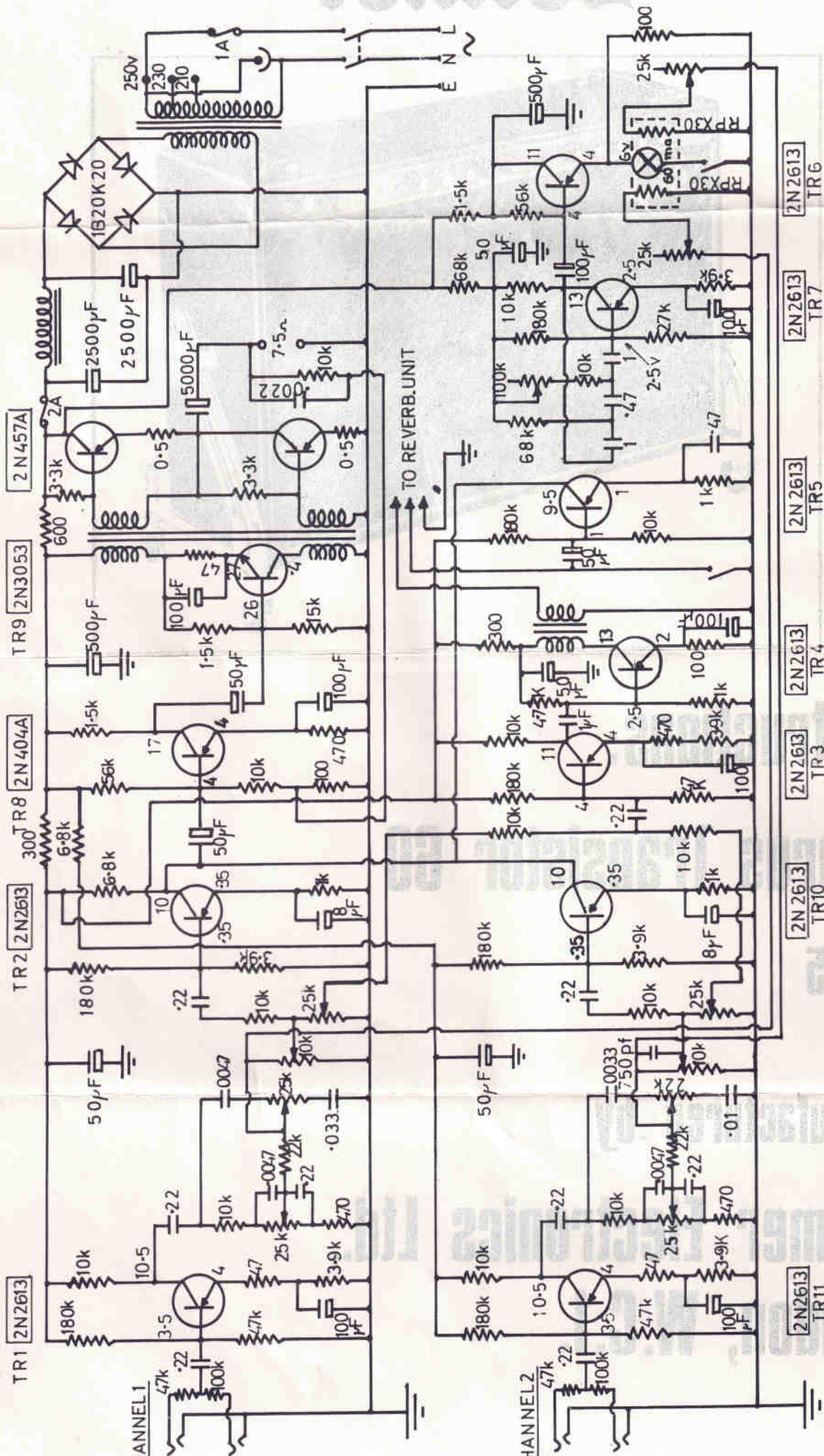
Taurus Transistor 60

L 195

Manufactured by

**Selmer Electronics Ltd.,
London, W.C.1.**

2457



TAURUS TRANSISTOR SIXTY

GENERAL

This amplifier is designed to work from a 210-250 volt A.C. mains supply. A voltage tap on the rear of the amplifier marked 210, 230 and 250 can be set to the voltage of the area in which the amplifier is being used. For maximum safety the green wire of the mains lead to the amplifier should be connected to the earth of a 3 pin mains plug.

WARNING

Never connect the green wire to either the red or black wires in the mains cable.

CONTROL PANEL

The amplifier has two channels with two inputs on each channel marked 1 and 2, input 1 is more sensitive than input 2, so if you have an instrument with a high output, input 2 should be used.

TONE CONTROLS

Tone controls have been designed to give a wide range of a bass and treble, operation of these controls will give you that exciting sound you have been waiting for.

REVERBERATION

Reverberation is on both channels and the depth of reverb can be adjusted by the control marked "Reverb". The reverberation is switched in by the footswitch marked "R". If reverb is only required on one channel turn the "Reverb" control knob fully anticlockwise on the channel where reverb is not wanted.

TREMOLO

Tremolo is applied over each channel and is controlled by the footswitch marked "T". This circuit uses the latest light dependent resistor principle which gives freedom from "Noise and Thump". The design gives a common "Speed" control for both channels but the "Depth" can be independently operated on each channel.

FUSES

If these blow be sure to replace them with fuses of the correct value only. The values are clearly marked under the fuse holders.

DO NOT USE A FUSE OF A HIGHER RATING

IMPORTANT

This amplifier is designed to work into an impedance of 7.5 ohms. Under no circumstances should extension speakers be used.

SERVICE

If the amplifier needs servicing consult your dealer. The electrical circuit diagram enclosed with these instructions will assist him in repairing the amplifier.

In all queries regarding instruments returned to the factory, or information contact:

Service Dept.,
Selmer Electronics Ltd.,
Johns Mews,
Northington Street,
London, W. C. 1.

PHONE: CHA 6141