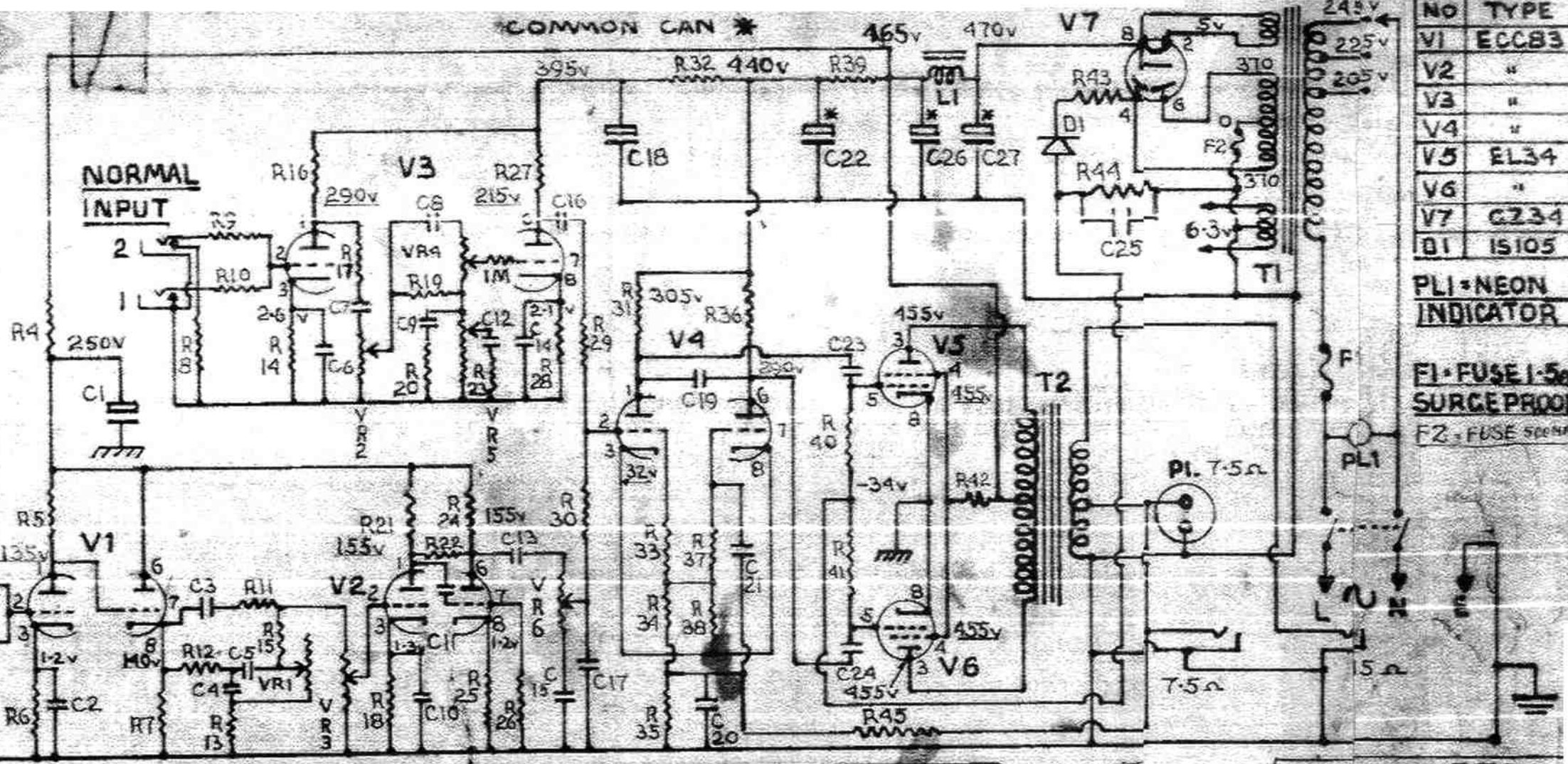


NO	PT. NO.	
F1	F32	
P1	PI17	
PL1	LI21	
T1	T52	
T2	T187	
L1	C657	
V1,2	VII	
V3,4	VII	
V5,6	V9	
V7	V18	
VR1	25K	BASS
VR2	1M	VOL
VR3	250K	VOL
VR4	250K	TREBLE
VR5	1M	BASS
VR6	100K	TREBLE
NO	VAL.	USE



DRG No. 2342

DIAGRAM - CIRCUIT. TREBLE-N-BASS 50 MKI

PART No. D76

RESISTOR No	VALUE	PART No	R. No	VALUE	PART No	R. No	VALUE	PART No	COND. No	VALUE	PART No	COND. No	VALUE	PART No
R1, 12, 22, 26, 33, 37	1M Ω	R458	R38	820 Ω	R11	R32	27K Ω	R85	C1, 18, 22/6/7	32mfd/500	C22	C4, 11, 6, 23/4	0.047 mfd	C46
R2, 3, 9, 10	68K	R468	R18, 25	1.5K	R337	R34	0.8K	R125	C2, 6, 10,	25mfd/12v	C21	C12, 15	50000 P.F.	C589
R4	51K	R416	R19	330K	R456	R35	4.7K	R342	C3, 19	100PF	C100	C13, 11, 20, 21	0.1 mfd	C544
R5, 27, 40, 41	220K	R455	R20	22K	R431	R39	5K	R80	C5	0.25 mfd	C272	C17	10000 P.F.	C590
R7, 16, 21, 24, 36, 45	100K	R454	R23	56K	R453	R42	1K	R499	C7	0.01	C619	C2	50 mfd/100v	C641
R6, 14, 28	2.7K	R339	R29, 30	470K	R457	R43	180K	R479	C8	220 P.F.	C592			
R11, 15	27K	R448	R31	82K	R64	R17	470K	R457	C7	2200	C591			
			R13	2.2K	R486	R44	39K	R62						

