

8

7

6

5

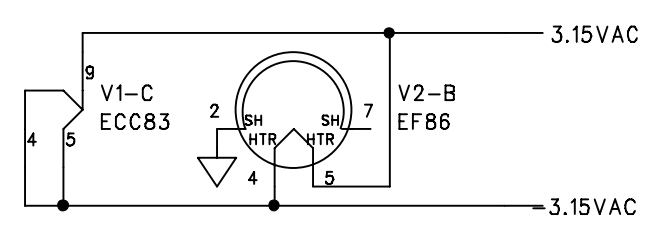
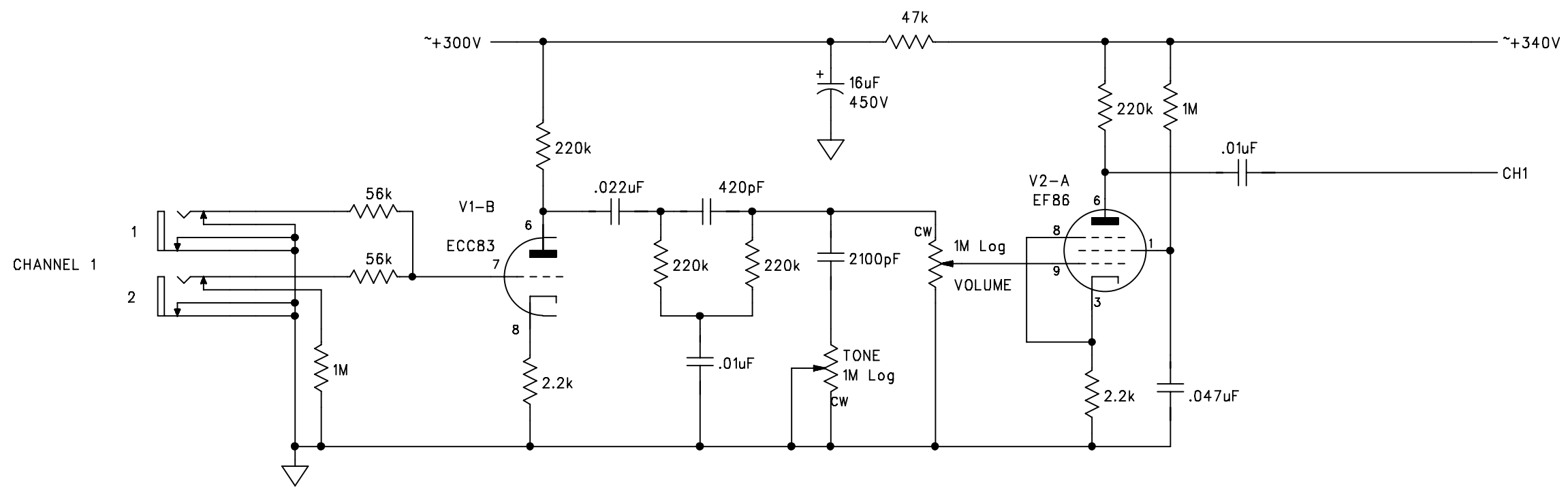
4

3

2

1

REVISIONS			
LTR	DESCRIPTION	ENGR	RELEASE DATE
A	INITIAL RELEASE		



CONTRACT NO. _____		TRACY NORTON PCB/CAD DESIGN SERVICES 2491 GALBRETH RD PASADENA CA 91104 626-296-8339 tracynorton@earthlink.net	
APPD. _____ DATE _____		SCHEMATIC, SELMER ZODIAC TWIN 30 CHANNEL 1	
DWG	T NORTON	05/15/07	
CHK	T NORTON	05/15/07	
ENGR			
NEXT ASSEMBLY	USED ON	DSGN SUPV	HERR KOMMANDANT
APPLICATION		SIZE	B
		CAGE NO.	
		DBB NO.	
		REV	A
		SCALE	NONE
		UNCLASSIFIED	SHEET 1 of 4

8

7

6

5

4

3

2

1

8

7

6

5

4

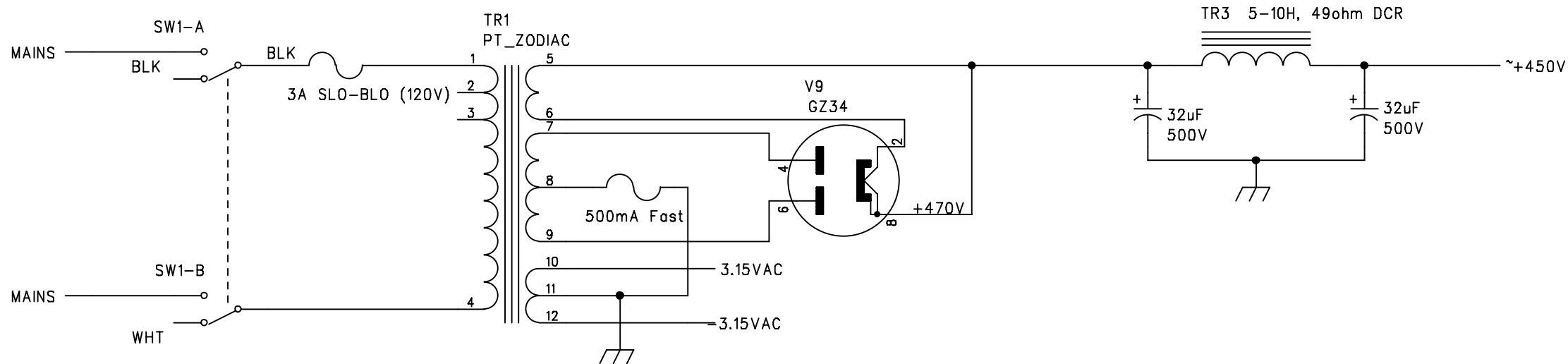
3

2

1

REVISIONS	
LTR	DESCRIPTION
A	SEE SHEET 1

POWER SUPPLY



NOTE:
SOME EARLY VERSIONS HAD ONLY MAINS FUSE

TRACY NORTON PCB/CAD DESIGN SERVICES			
SCHEMATIC, SELMER ZODIAC TWIN 30 POWER SUPPLY			
SIZE B	CAGE NO.	DBB NO.	REV A
SCALE NONE	UNCLASSIFIED	SHEET 4 of 4	

8

7

6

5

4

3

2

1