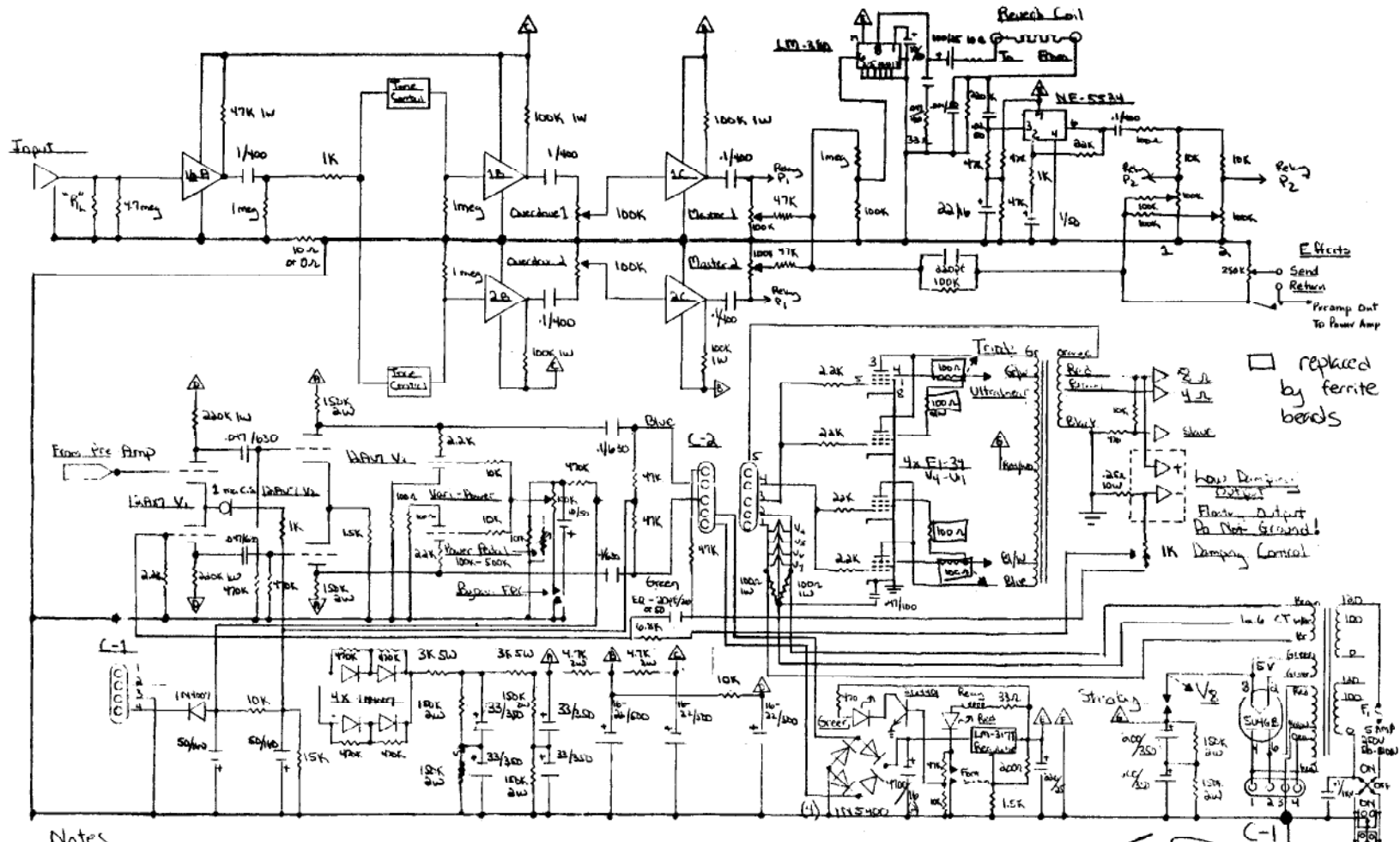


# CONVERTIBLE

# Seymour Duncan



*Seymour Duncan*

100W Convertible Schematic	
2-8-84	REV 001