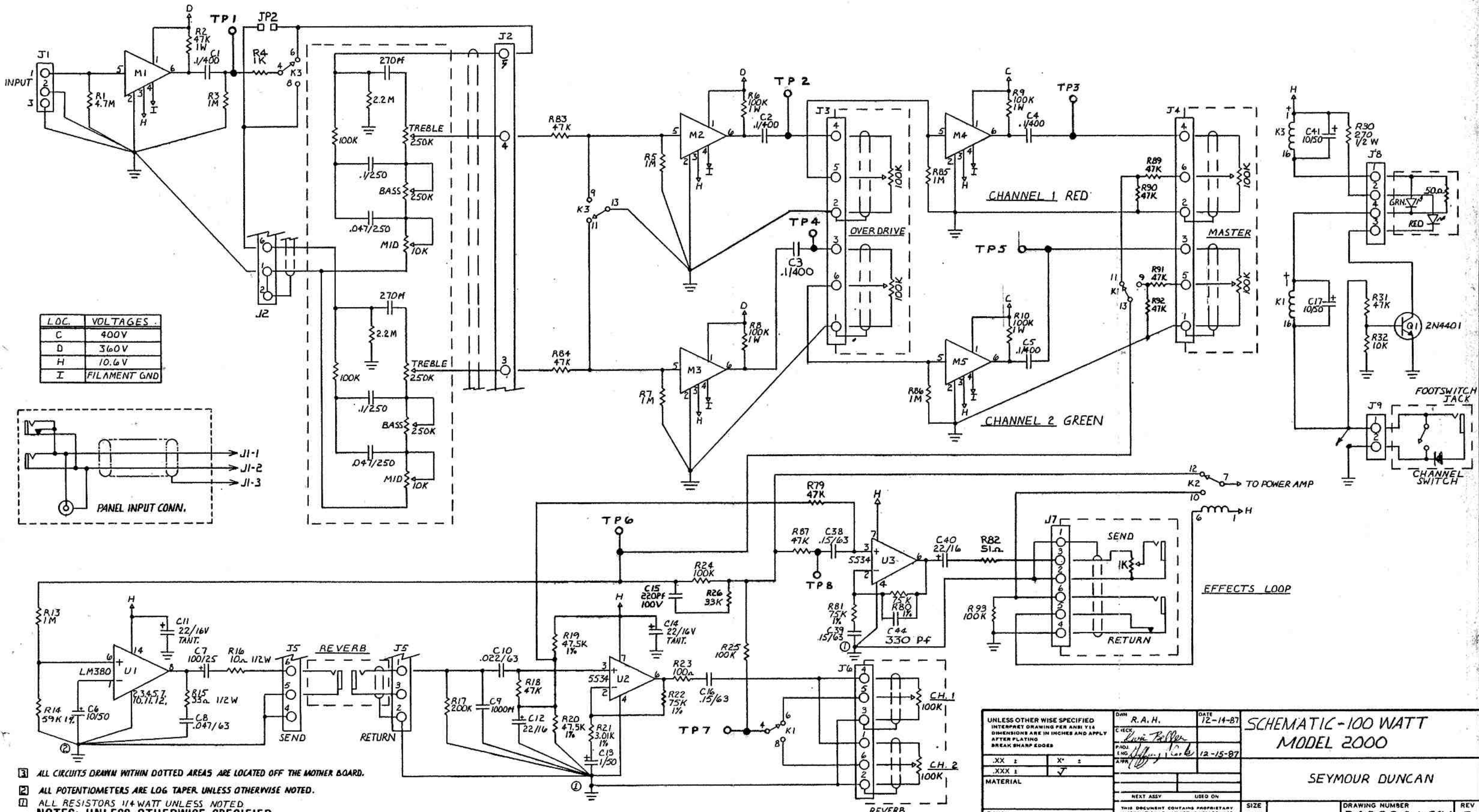


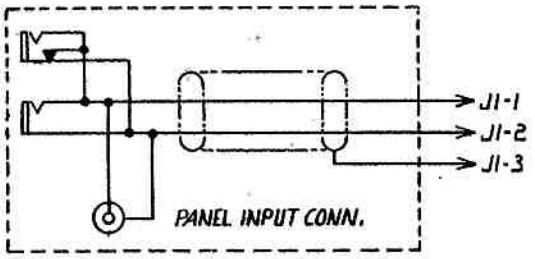
REVISIONS			
REV.	DESCRIPTION	DATE	APP.
A	RELEASED		
B	INCRP MFG ECR 629	4-88	H/C
C	INCRP MFG ECR #634	5-8-88	STM
D	INCRP MFG ECR 642	5-13	STM
E	INCRP MFG ECR 645	5-19	STM

DRAWING NO. REV.

4 ALL CHASSIS GROUNDS AND MOTHERBOARD MAIN GROUND ARE JOINED THROUGH THE 6-32 STANDOFF LOCATED ON THE MAIN FILTER CAPACITOR SUB-BOARD LOCATED BENEATH THE MOTHERBOARD. THE SCREW JOINING THE TWO BOARDS MUST BE TIGHT IN ORDER FOR THE AMP TO FUNCTION PROPERLY.



LDC.	VOLTAGES
C	400V
D	360V
H	10.6V
I	FILAMENT GND



3 ALL CIRCUITS DRAWN WITHIN DOTTED AREAS ARE LOCATED OFF THE MOTHER BOARD.  
 2 ALL POTENTIOMETERS ARE LOG TAPER UNLESS OTHERWISE NOTED.  
 1 ALL RESISTORS 1/4 WATT UNLESS NOTED  
 NOTES: UNLESS OTHERWISE SPECIFIED

UNLESS OTHERWISE SPECIFIED INTERPRET DRAWING PER ANSI Y14 DIMENSIONS ARE IN INCHES AND APPLY AFTER PLATING BREAK SHARP EDGES		DWN R. A. H.	DATE 12-14-87
XX ±	X' ±	CHECK <i>R. A. H.</i>	12-15-87
XXX ±	J	PROJ. ENG. <i>John J. Park</i>	
MATERIAL		APP. <i>[Signature]</i>	
FINISH		NEXT ASSY USED ON	
THIS DOCUMENT CONTAINS PROPRIETARY INFORMATION IT MAY NOT BE REPRODUCED OR TRANSMITTED TO OTHER DOCUMENTS OR DISCLOSED TO OTHERS OR USED FOR MANUFACTURING OR ANY OTHER PURPOSE WITHOUT PRIOR WRITTEN PERMISSION			

SCHEMATIC - 100 WATT MODEL 2000	
SEYMOUR DUNCAN	
SIZE D	DRAWING NUMBER 240004-1-SCM
SCALE	REV E
SHEET 1 OF 2	