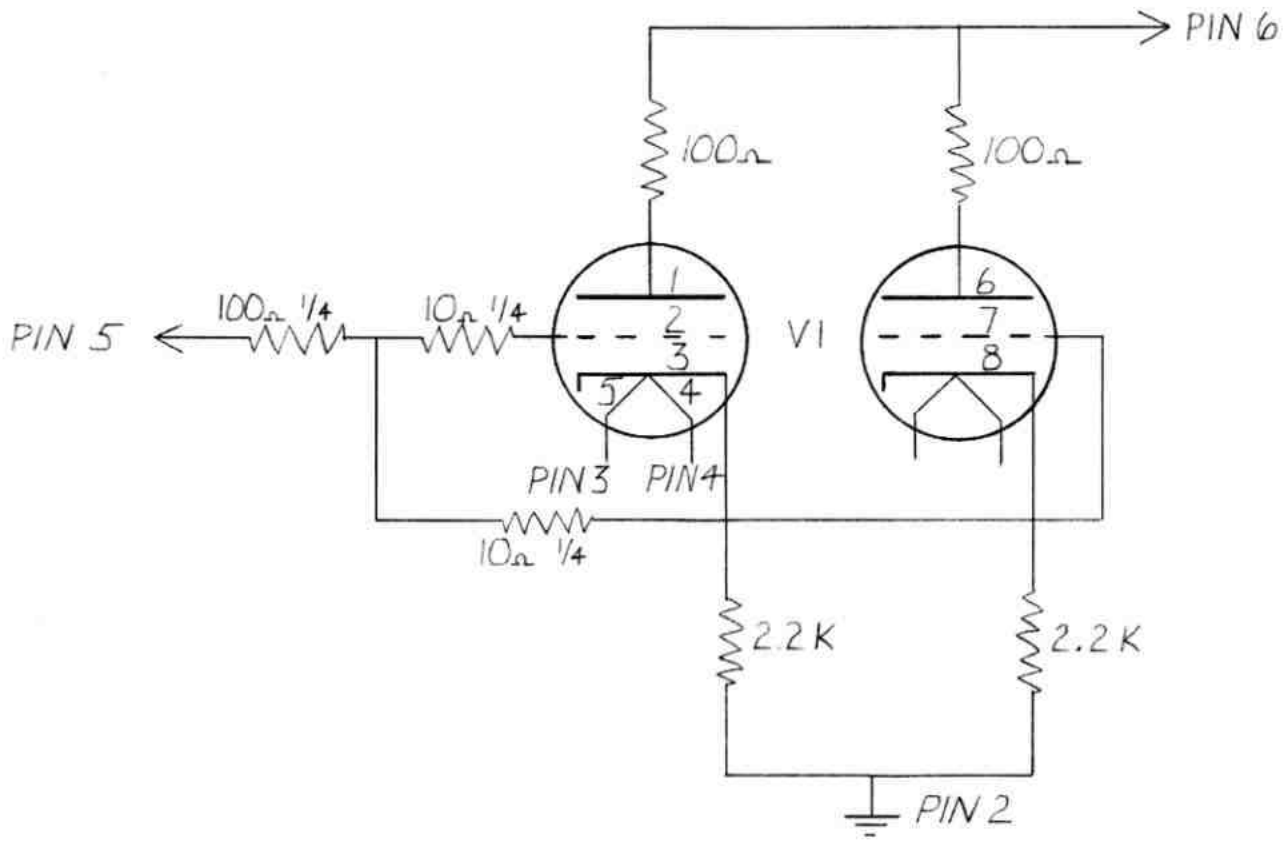


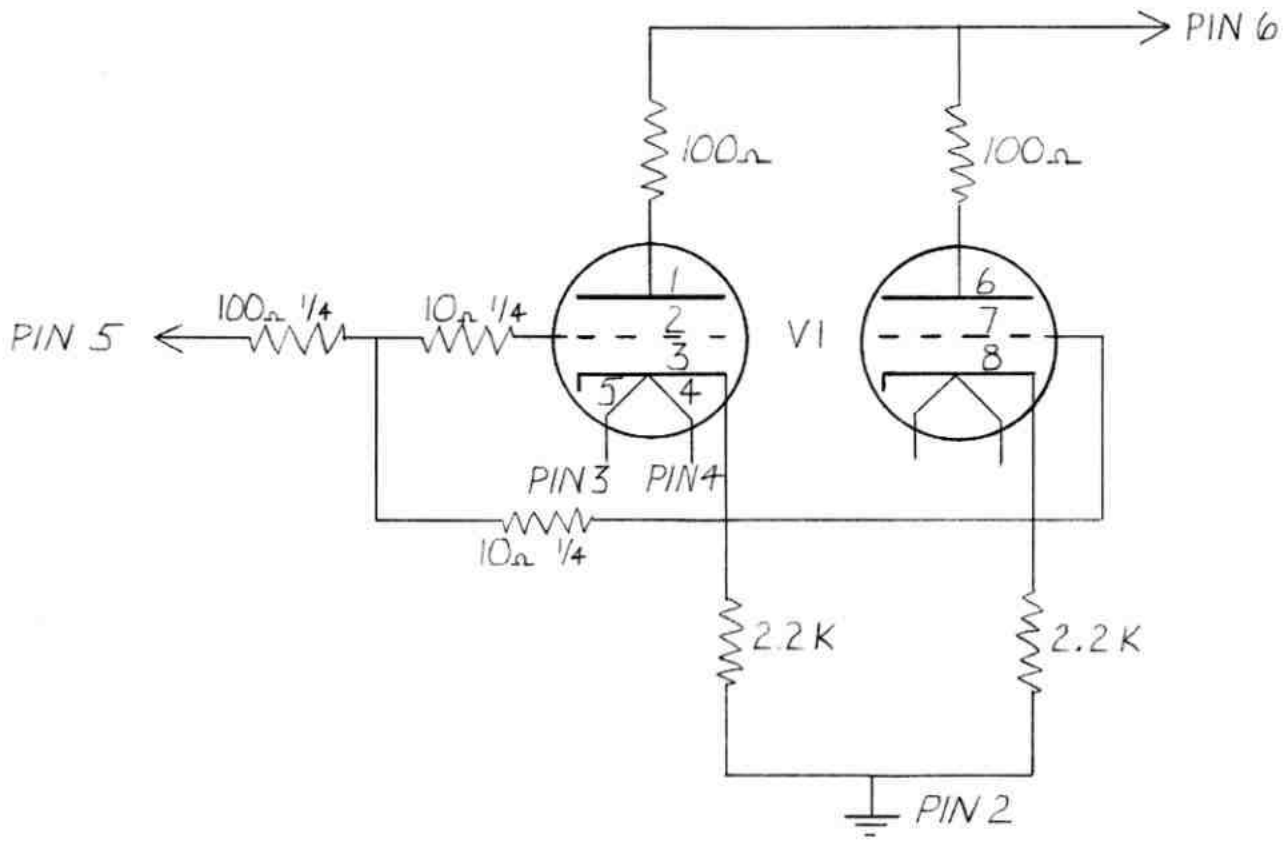
| | | | |
|-----|-------------|---------|------|
| REV | DESCRIPTION | DATE | NAME |
| A | RELEASED | 8-26-87 | |



| | | |
|---------------------------|--------------|------------------------------|
| SCHEMATIC ~ NORMAL MODULE | | |
| SCALE: NONE | APPROVED BY: | DRAWN BY R.A.H. |
| DATE: 8-26-87 | | REVISED |
| SEYMOUR DUNCAN | | |
| | | DRAWING NUMBER 249051-SCM |

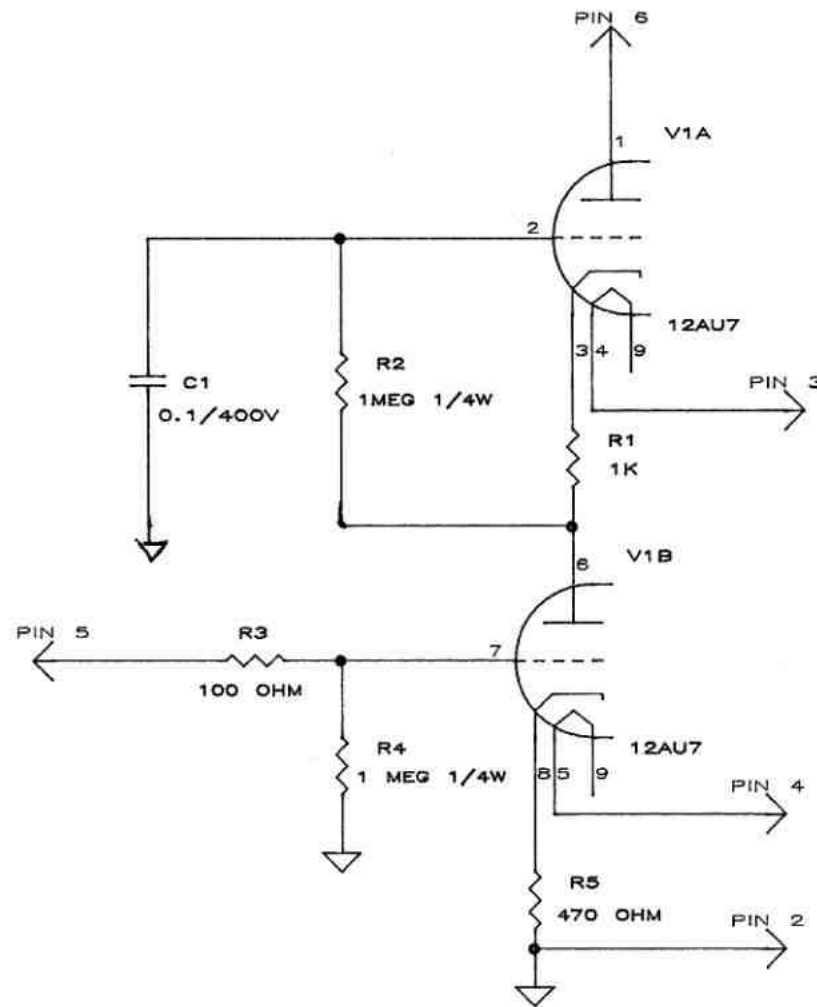
- 3 PIN 1 IS NOT USED
 - 2 VI IS A 12AX7
 - 1 ALL RESISTORS 1/2W UNLESS NOTED
- NOTES:

| | | | |
|-----|-------------|---------|------|
| REV | DESCRIPTION | DATE | NAME |
| A | RELEASED | 8-26-87 | |



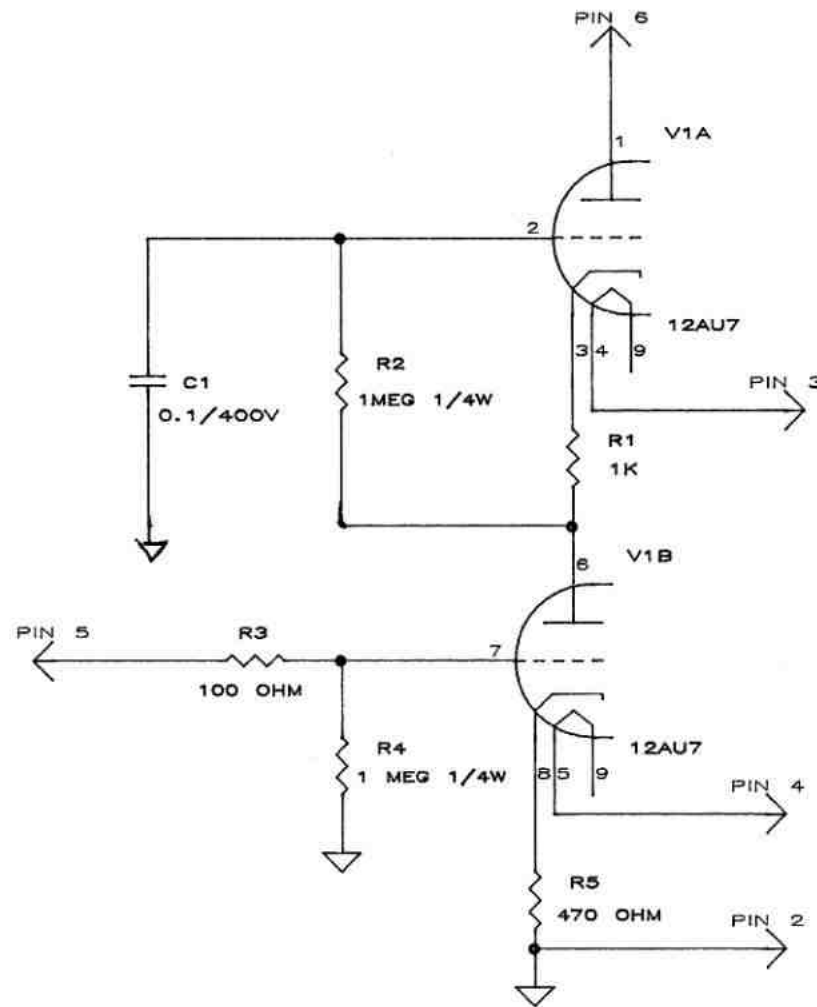
| | | |
|---------------------------|--------------|------------------------------|
| SCHEMATIC ~ NORMAL MODULE | | |
| SCALE: NONE | APPROVED BY: | DRAWN BY R.A.H. |
| DATE: 8-26-87 | | REVISED |
| SEYMOUR DUNCAN | | |
| | | DRAWING NUMBER 249051-SCM |

- 3 PIN 1 IS NOT USED
 - 2 VI IS A 12AX7
 - 1 ALL RESISTORS 1/2W UNLESS NOTED
- NOTES:



- 3. PIN 1 IS NOT USED
- 2. V1 IS A 12AU7
- 1. ALL RESISTORS 1/2 W UNLESS NOTED

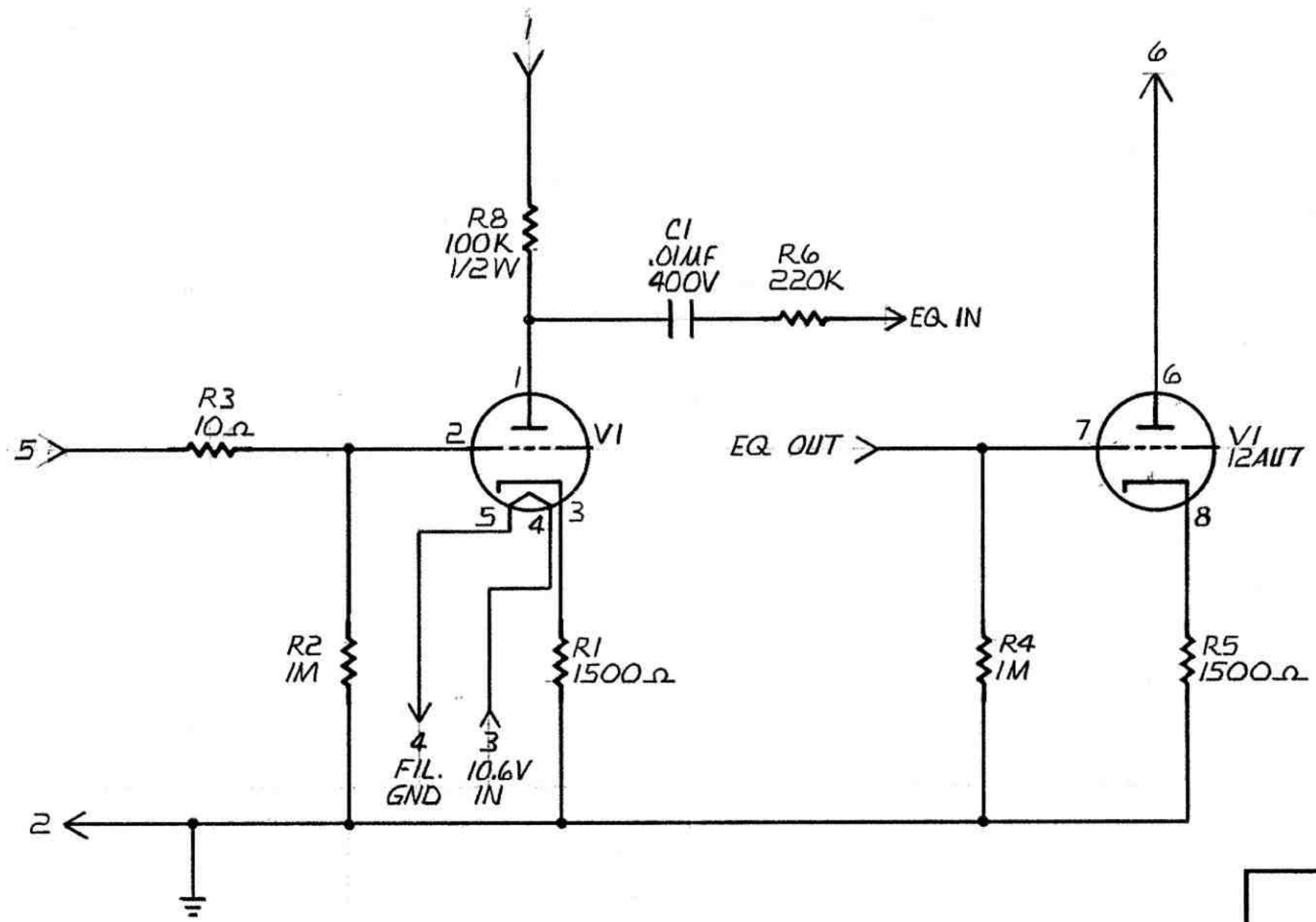
| | | | | |
|------------------|-------------|-----------------------------|--------------------------|-----------------|
| | | SEYMOUR DUNCAN RESEARCH | | |
| | | SCHEMATIC CASCODE MODULE | | |
| | SIZE A | FSCM NO | DWG NO M 249011-SCM 1 | REV 1 |
| October 19, 1994 | SCALE 1X | | | SHEET 1 of 1 |



- 3. PIN 1 IS NOT USED
- 2. V1 IS A 12AU7
- 1. ALL RESISTORS 1/2 W UNLESS NOTED

| | | | | |
|------------------|-------------|-----------------------------|--------------------------|-----------------|
| | | SEYMOUR DUNCAN RESEARCH | | |
| | | SCHEMATIC CASCODE MODULE | | |
| | SIZE A | FSCM NO | DWG NO M 249011-SCM 1 | REV 1 |
| October 19, 1994 | SCALE 1X | | | SHEET 1 of 1 |

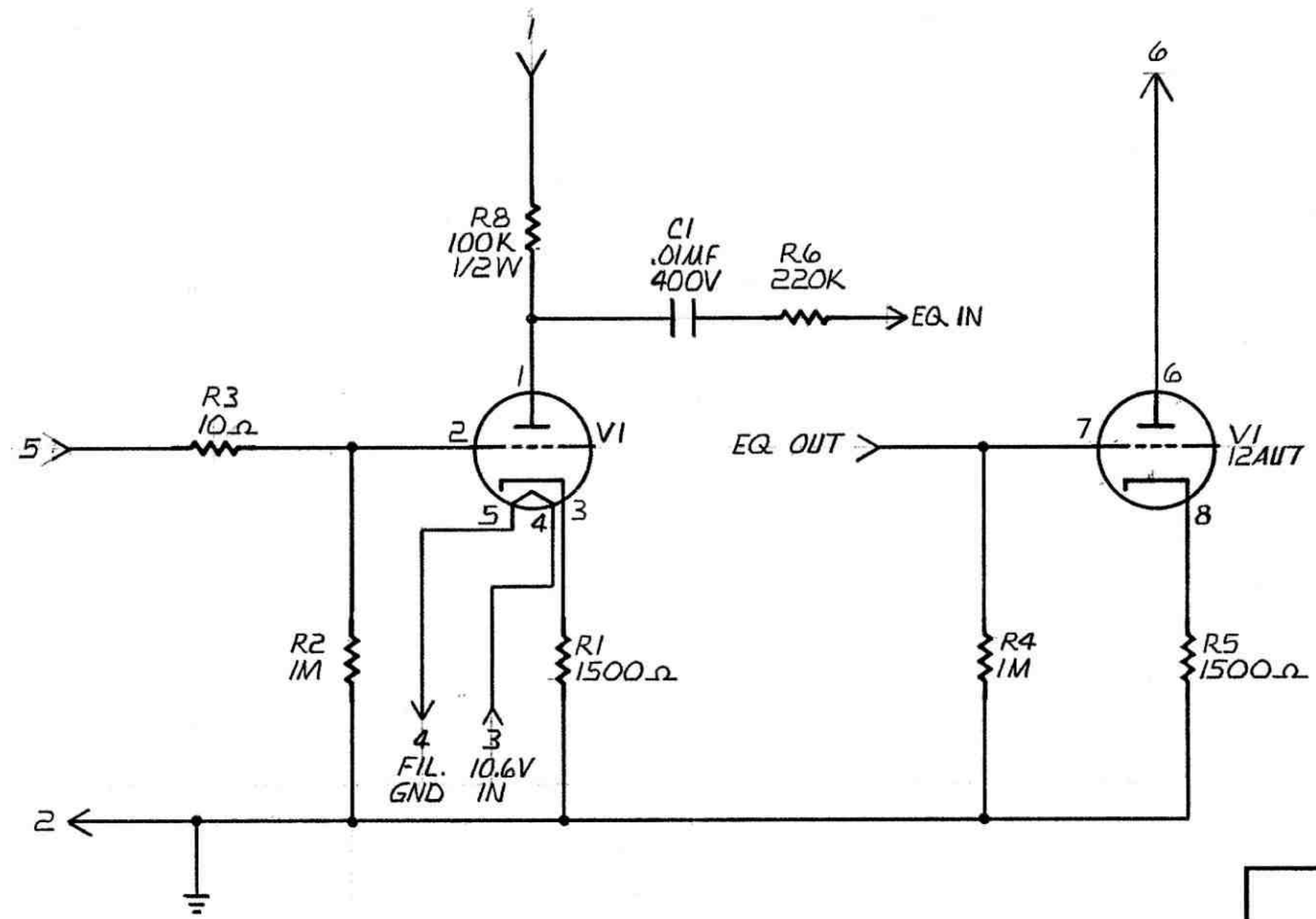
| REV | DESCRIPTION | DATE APPRVD |
|-----|-------------|-------------|
| A | RELEASED | 9/20/88 KB |



1. RESISTORS ARE 1/4 WATT 5% UNLESS OTHERWISE SPECIFIED.
 NOTES: UNLESS OTHERWISE SPECIFIED.

| | | |
|-----------------------------|--|------------------|
| SEYMOUR DUNCAN | | |
| SCALE: NONE | APPROVED BY: <i>Kevin Beller</i> 9/20/88 | DRAWN BY: MONSER |
| DATE: 9-16-88 | | REVISED |
| SCHEMATIC-CLASSIC EQ MODULE | | |
| | DRAWING NUMBER | REV |
| | 249131 | |

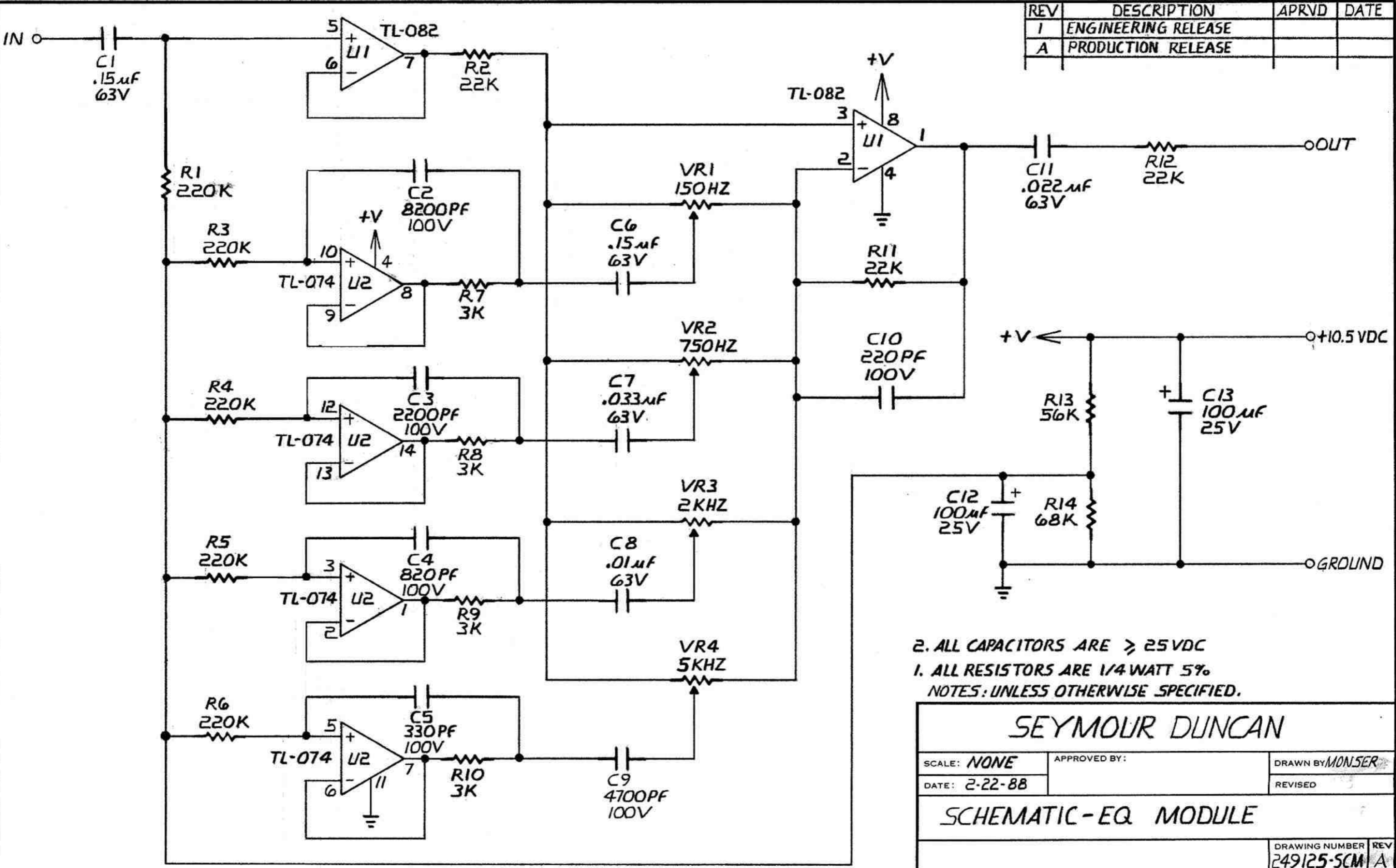
| REV | DESCRIPTION | DATE APPRVD |
|-----|-------------|-------------|
| A | RELEASED | 9/20/88 KB |



| | | |
|-----------------------------|--|------------------|
| SEYMOUR DUNCAN | | |
| SCALE: NONE | APPROVED BY: <i>Kevin Beller</i> 9/20/88 | DRAWN BY: MONSER |
| DATE: 9-16-88 | | REVISED |
| SCHEMATIC-CLASSIC EQ MODULE | | |
| | DRAWING NUMBER | REV |
| | 249131 | |

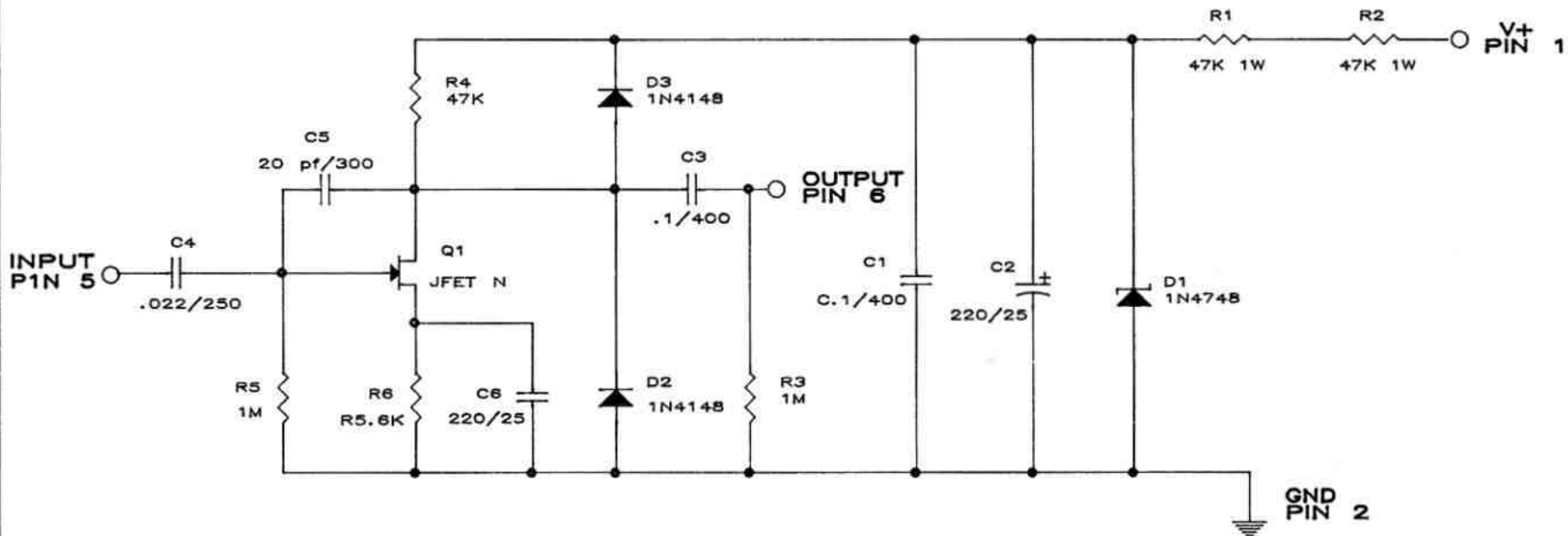
1. RESISTORS ARE 1/4 WATT 5% UNLESS OTHERWISE SPECIFIED.
 NOTES: UNLESS OTHERWISE SPECIFIED.

| REV | DESCRIPTION | APRVD | DATE |
|-----|---------------------|-------|------|
| 1 | ENGINEERING RELEASE | | |
| A | PRODUCTION RELEASE | | |



- 2. ALL CAPACITORS ARE ≥ 25VDC
 - 1. ALL RESISTORS ARE 1/4 WATT 5%
- NOTES: UNLESS OTHERWISE SPECIFIED.

| | | |
|------------------------------|--------------|------------------|
| SEYMOUR DUNCAN | | |
| SCALE: NONE | APPROVED BY: | DRAWN BY: MONSER |
| DATE: 2-22-88 | | REVISED: |
| SCHEMATIC - EQ MODULE | | |
| DRAWING NUMBER | | REV |
| 249125-SCM | | A |

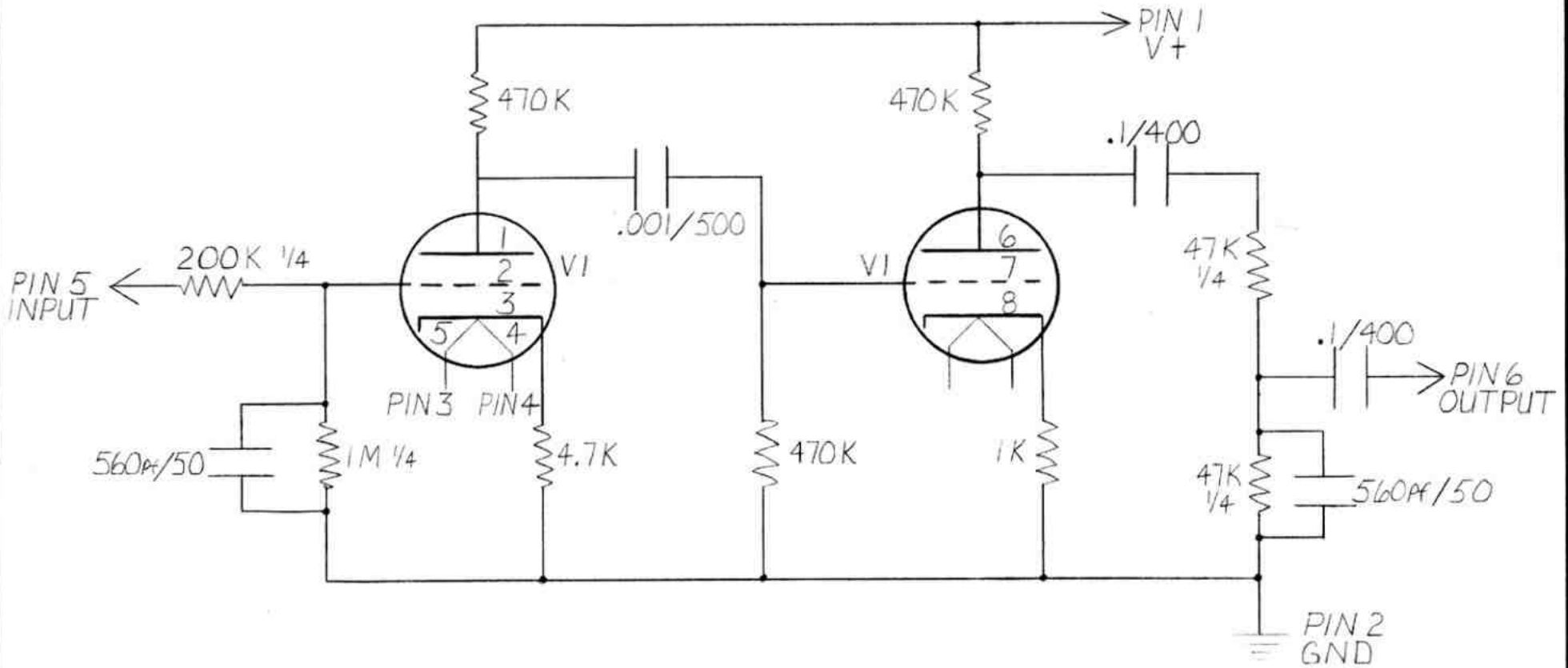


- 4 C6 IS NOT USED ON LATER MODELS.
 3 D2, D3 AND C5 NOT IN CIRCUIT ON EARLY MODELS.
 2 ALL RESISTORS 1/4 W UNLESS NOTED.
 1 PINS 3 AND 4 ARE NOT USED.

NOTES:

| | | | | | |
|------------------|--|----------------------------|---------|------------------------|----------|
| | | SEYMOUR DUNCAN | | | |
| | | SCHEMATIC F.E.T. MODULE | | | |
| | | SIZE A | FSCM NO | DWG NO 249042-SCM 1 | REV 1 |
| December 7, 1994 | | SCALE N/A | | SHEET | |

| | | | |
|-----|-------------|---------|------|
| REV | DESCRIPTION | DATE | NAME |
| A | RELEASED | 8-26-87 | |



SCHEMATIC ~ HI GAIN MODULE

| | | |
|---------------|--------------|-----------------|
| SCALE: NONE | APPROVED BY: | DRAWN BY R.A.H. |
| DATE: 8-26-87 | | REVISED |

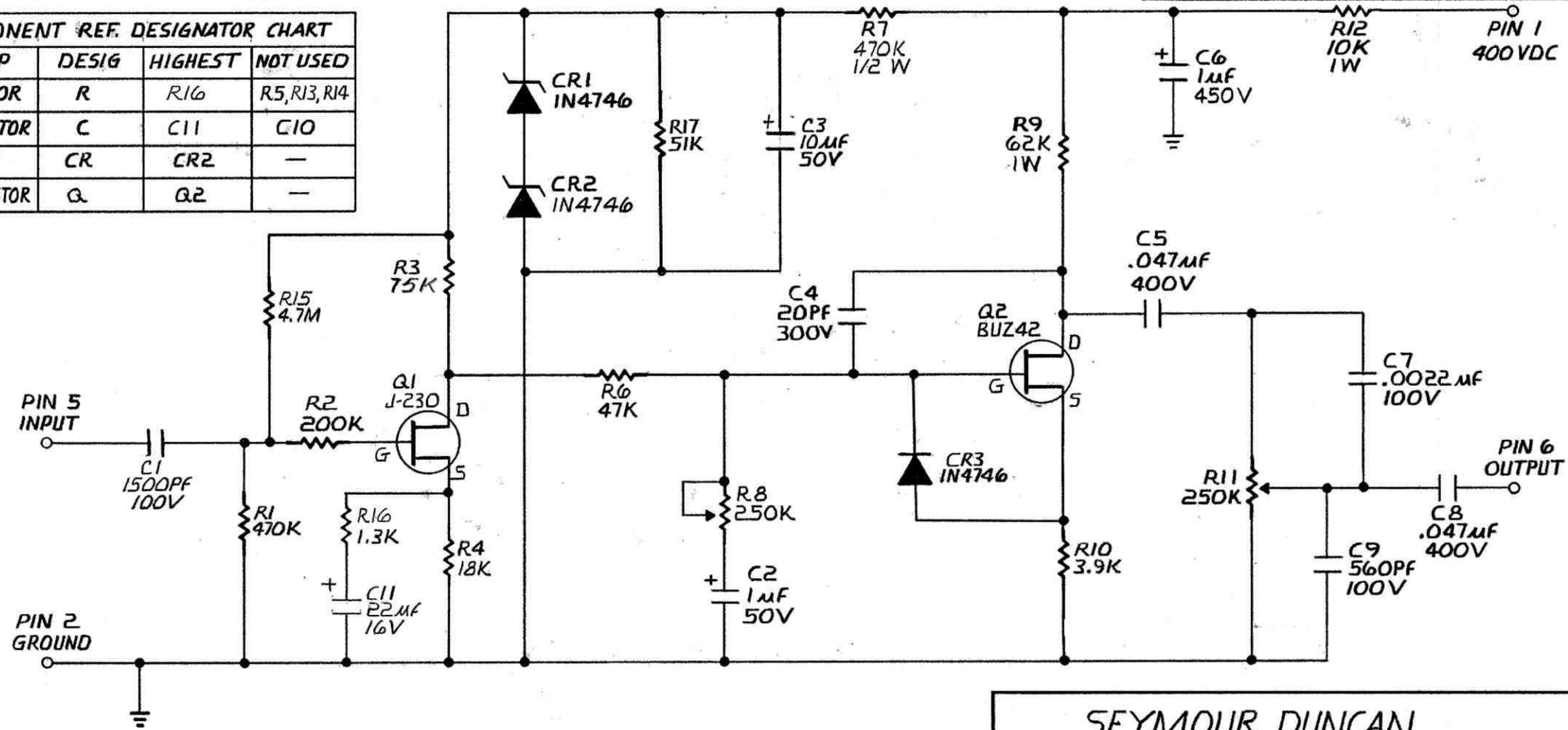
SEYMOUR DUNCAN

DRAWING NUMBER
249081-SCM

- V1 IS A 12AX7
 - ALL RESISTORS 1/2 W UNLESS NOTED
- NOTES :

| REV | DESCRIPTION | APRVD | DATE |
|-----|----------------------|-------|---------|
| I | ENGINEERING RELEASE | | |
| AI | PRODUCTION RELEASE | | |
| B | INCORP. MNF. ECR 622 | KB | 4-13-8 |
| C | INCORPORATE ECR 627 | KB | 4-21-8 |
| D | INCORP MFG ECR #666 | SM | 7-14-88 |
| E | INCORP MFG ECR 681 | | 9-20-88 |

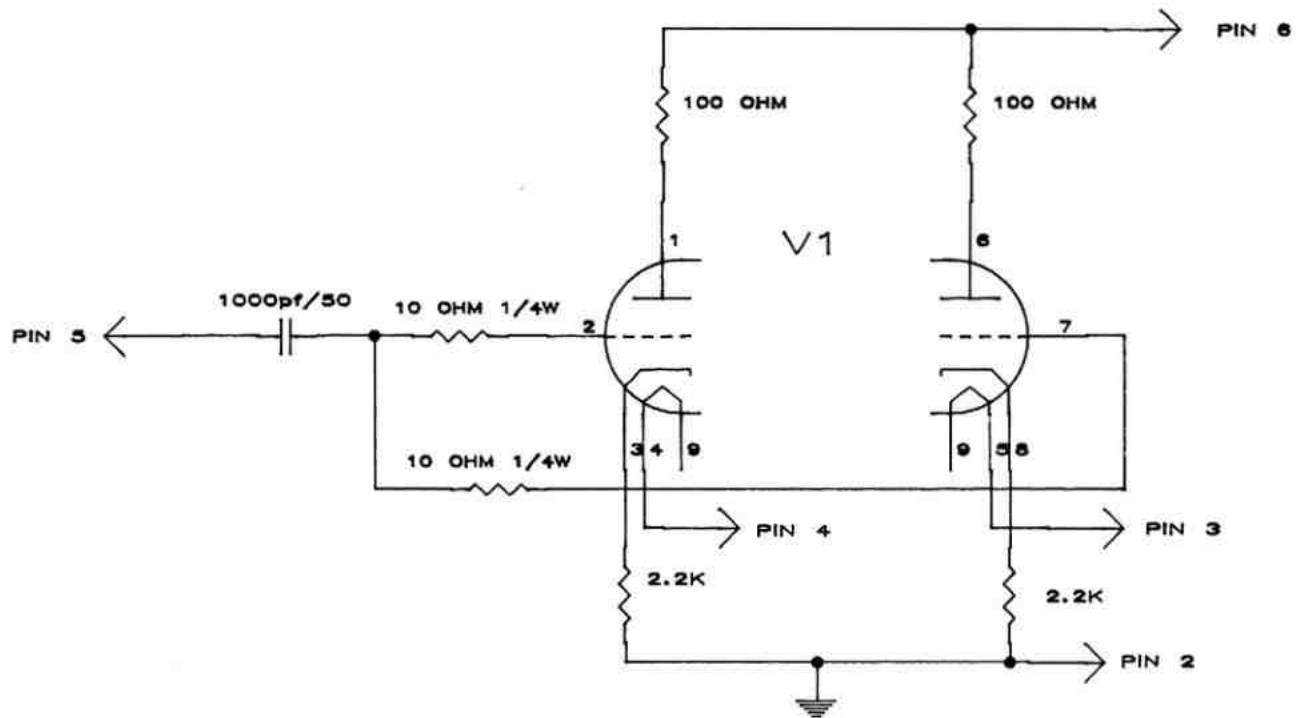
| COMPONENT REF. DESIGNATOR CHART | | | |
|---------------------------------|-------|---------|--------------|
| COMP | DESIG | HIGHEST | NOT USED |
| RESISTOR | R | R16 | R5, R13, R14 |
| CAPACITOR | C | C11 | C10 |
| DIODE | CR | CR2 | — |
| TRANSISTOR | Q | Q2 | — |



SEYMOUR DUNCAN

| | | |
|-----------------------------|--------------|-------------------------|
| SCALE: NONE | APPROVED BY: | DRAWN BY: <i>MONSER</i> |
| DATE: 2/88 | | REVISED: |
| SCHEMATIC - HOT MOD. | | |
| DRAWING NUMBER | | REV |
| 249151-SCM | | E |

1. ALL RESISTORS ARE 1/4 WATT 5% UNLESS NOTED.
 NOTES: UNLESS OTHERWISE SPECIFIED.



3 PIN 1 IS NOT USED

2 V1 IS A 12AX7

1 ALL RESISTORS 1/2W UNLESS NOTED

SEYMOUR DUNCAN

SCHEMATIC
LO CUT NORMAL MODULE

September 7, 1993

SIZE
A

FSCM NO

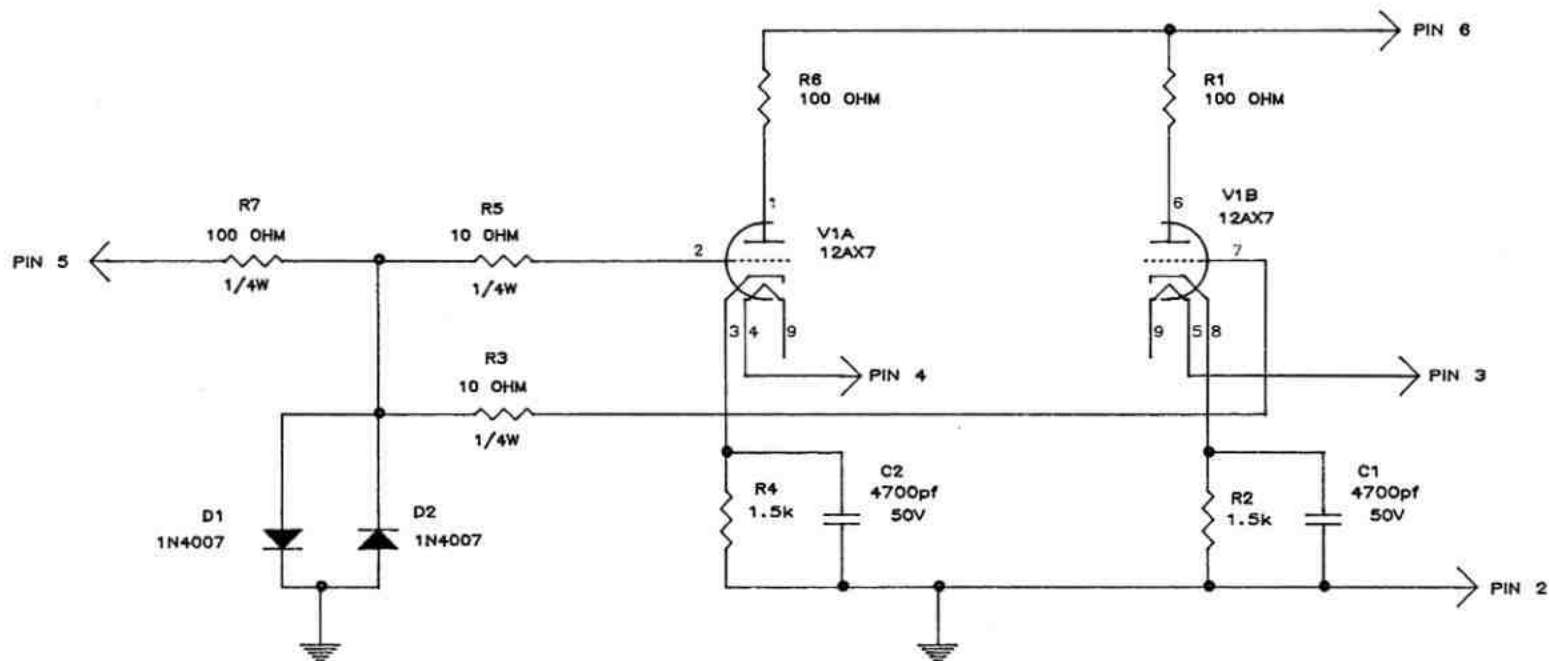
DWG NO

REV

249071-SCM 1

SCALE NONE

SHEET 1 OF 1

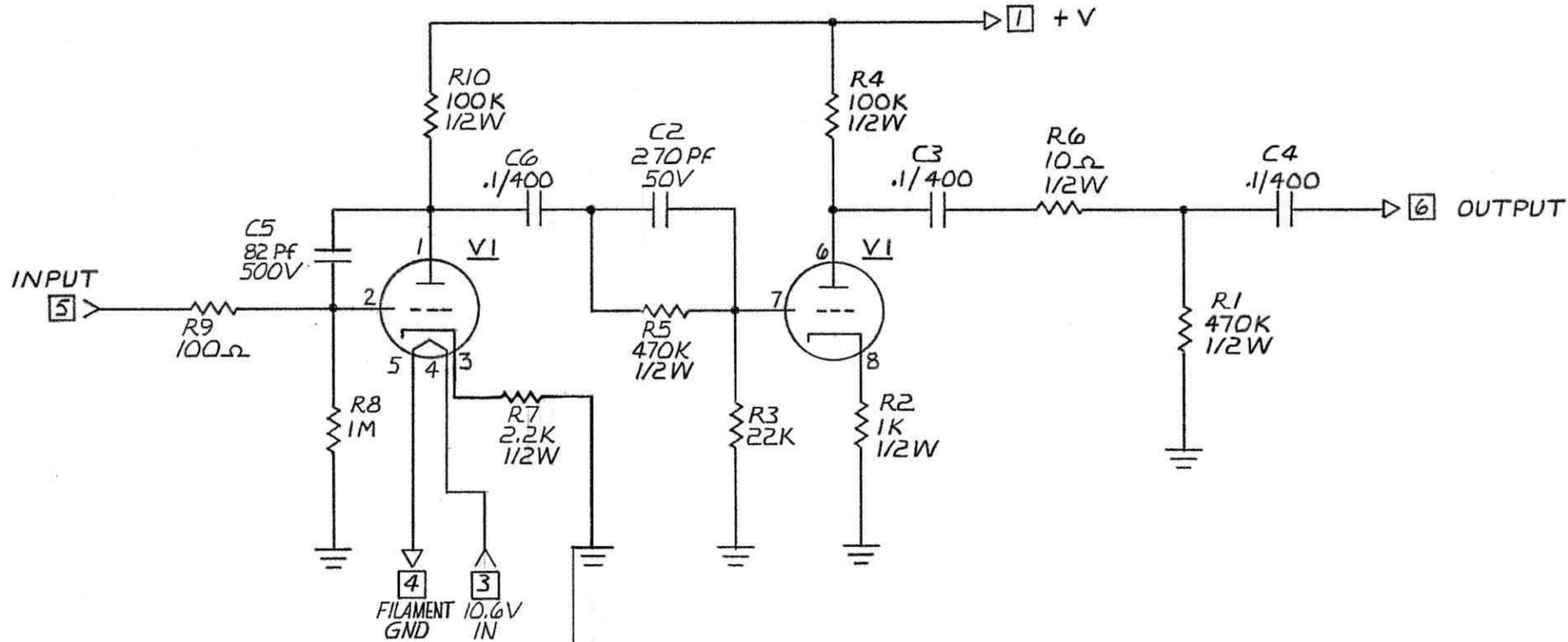


3. PIN 1 IS NOT USED.
 2. V1 IS A 12AX7
 1. ALL RESISTORS 1/2 W UNLESS NOTED

NOTES:

| | | | |
|---------------|---------|---------------------------|-----------------|
| | | SEYMOUR DUNCAN | |
| | | SCHEMATIC | |
| | | CLASSIC DISTORTION MODULE | |
| SIZE A | FSCM NO | DWG NO 249111-SCM | REV 1 |
| June 12, 1995 | | SCALE N/A | SHEET 1 of 1 |

| REV | DESCRIPTION | NAME | DATE |
|-----|--------------------|------|---------|
| A | PRODUCTION RELEASE | STM | 7-20-88 |



2. ALL GROUND POINTS CONNECT TO PIN 2 OF EDGE CONNECTOR.
1. ALL RESISTORS ARE 1/4W 5% UNLESS OTHERWISE SPECIFIED.

NOTES

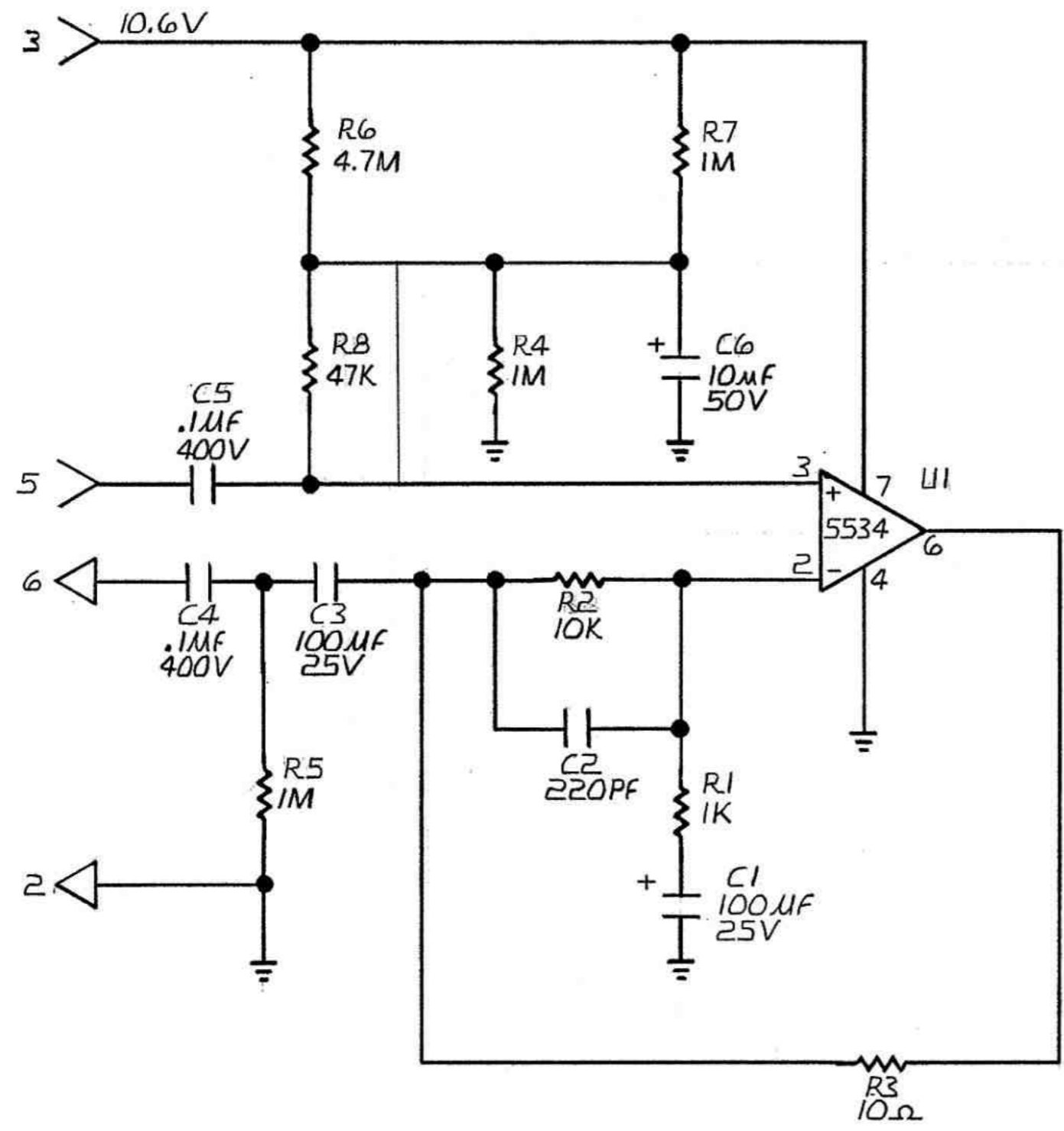
PRESENCE MODULE

| | | |
|--------------|--------------|-----------------|
| SCALE: NONE | APPROVED BY: | DRAWN BY R.A.H. |
| DATE: 1-7-88 | | REVISED |

SEYMOUR DUNCAN

| | |
|----------------|-----|
| DRAWING NUMBER | REV |
| 249101 SCM | A |

| REV | DESCRIPTION | DATE | APPRVD |
|-----|--------------------|------|--------|
| A | PRODUCTION RELEASE | 6-88 | STM |
| | | | |



1. ALL RESISTORS ARE 1/4W 5% UNLESS OTHERWISE SPECIFIED.
NOTES:

| | | |
|-----------------------|----------------|-----------------|
| SEYMOUR DUNCAN | | |
| SCALE: NONE | APPROVED BY: | DRAWN BY MONSER |
| DATE: 6-88 | | REVISED |
| SCHEMATIC - IC MODULE | | |
| | DRAWING NUMBER | REV |
| | 249061 SCM | A |