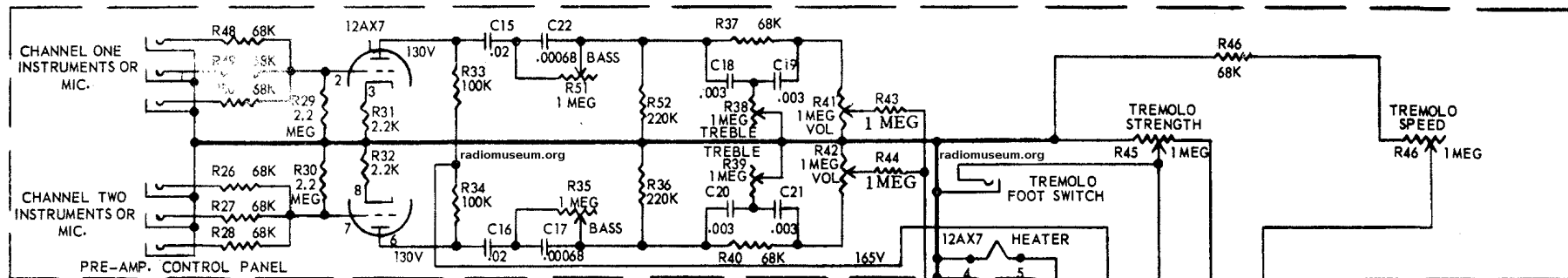
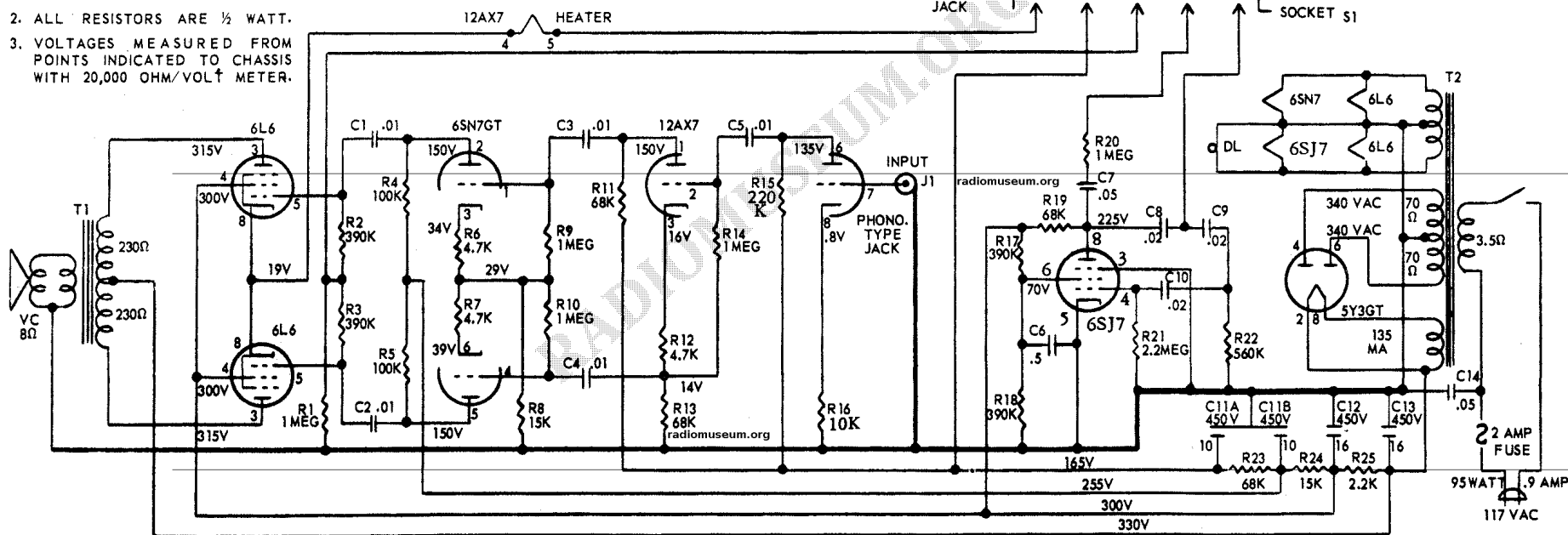


jaynjai@msn.com



NOTES:

1. VALUES OF CAPACITORS IN MFD.
2. ALL RESISTORS ARE 1/2 WATT.
3. VOLTAGES MEASURED FROM POINTS INDICATED TO CHASSIS WITH 20,000 OHM/VOLT METER.



SILVERTONE MODEL 1335 (CH.185.808)

SCHEMATIC DIAGRAM COURTESY SEARS, ROEBUCK & CO.