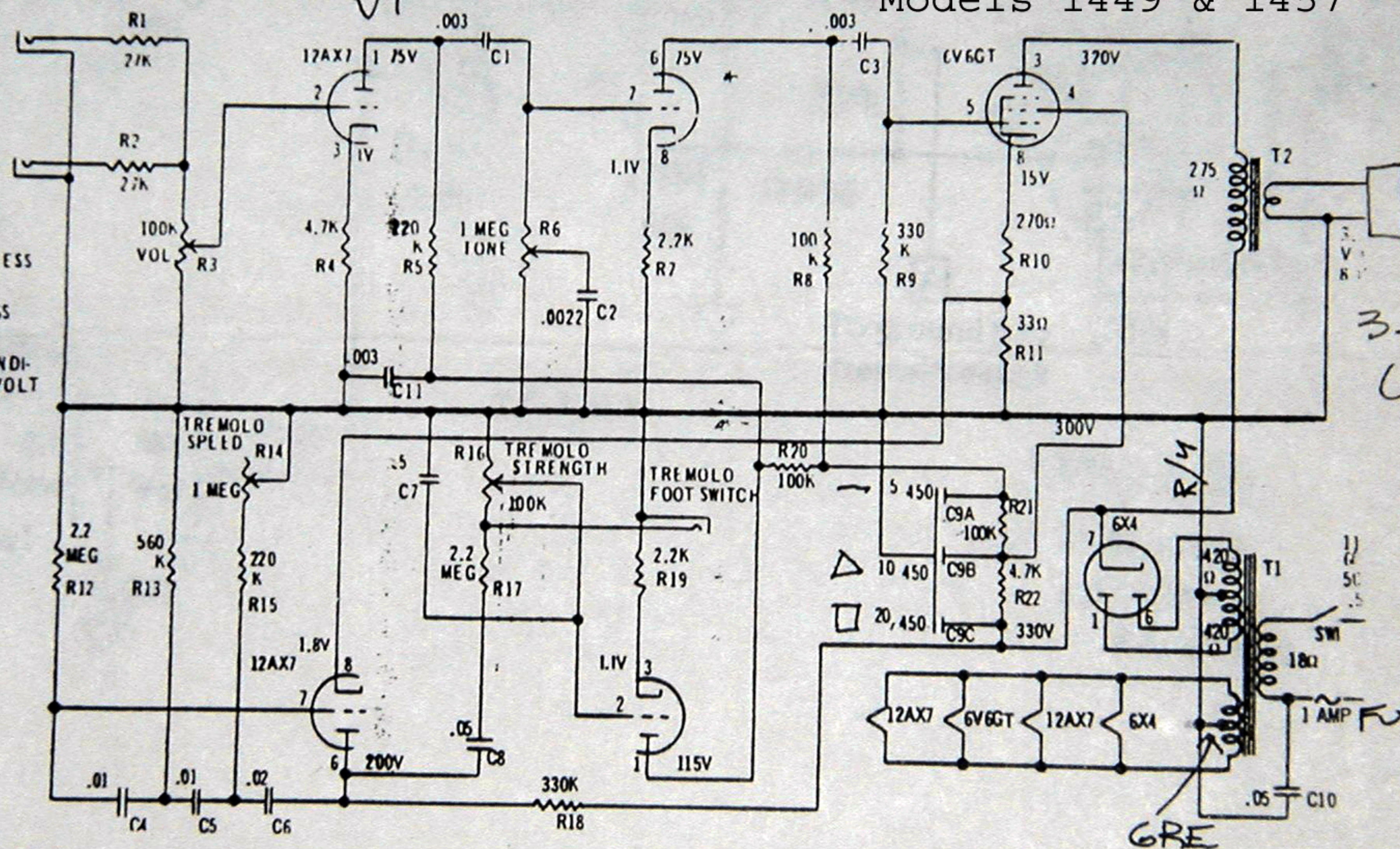


V1

INLESS
LESS
S INDI-
M. VOLT



3. C

GRE

SCHEMATIC DIAGRAM OF SILVERTONE CHASSIS 185.11090