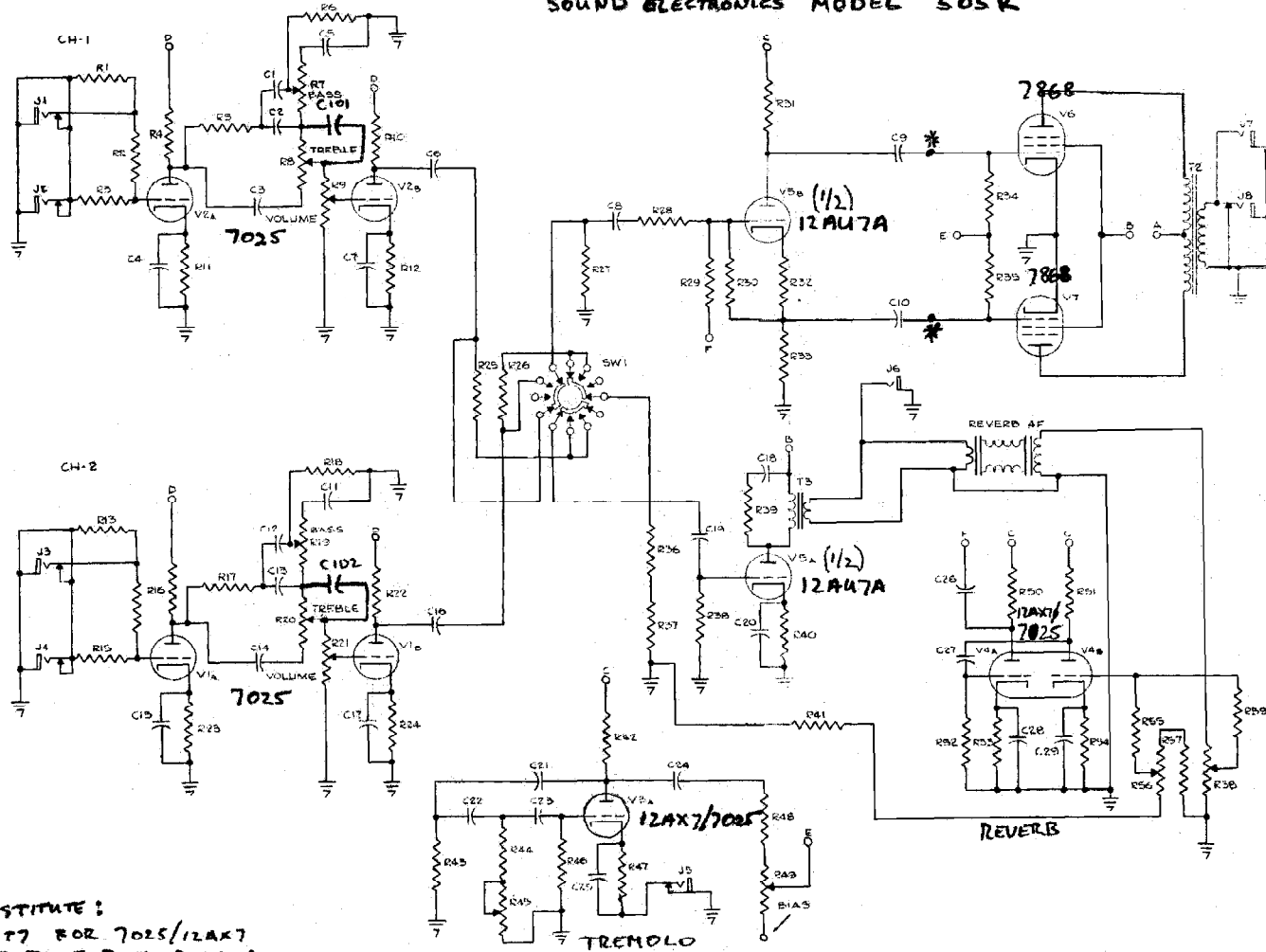


SOUND ELECTRONICS MODEL 505R



SUBSTITUTE:
12AX7 FOR 7025/12AX7
TO REDUCE PREAMP GAIN

CHANNEL 1 SUBSTITUTE 220PF ACROSS VOLUME CONTROL
FOR ORIGINAL 330PF (C101)
CHANNEL 2 ADD 47PF ACROSS VOLUME CONTROL (C102)

* MASTER VOLUME MODIFICATION ON
FOLLOWING PAGE
MASTER VOLUME CONTROL REPLACES J7 EXT. SPARKER JACK

