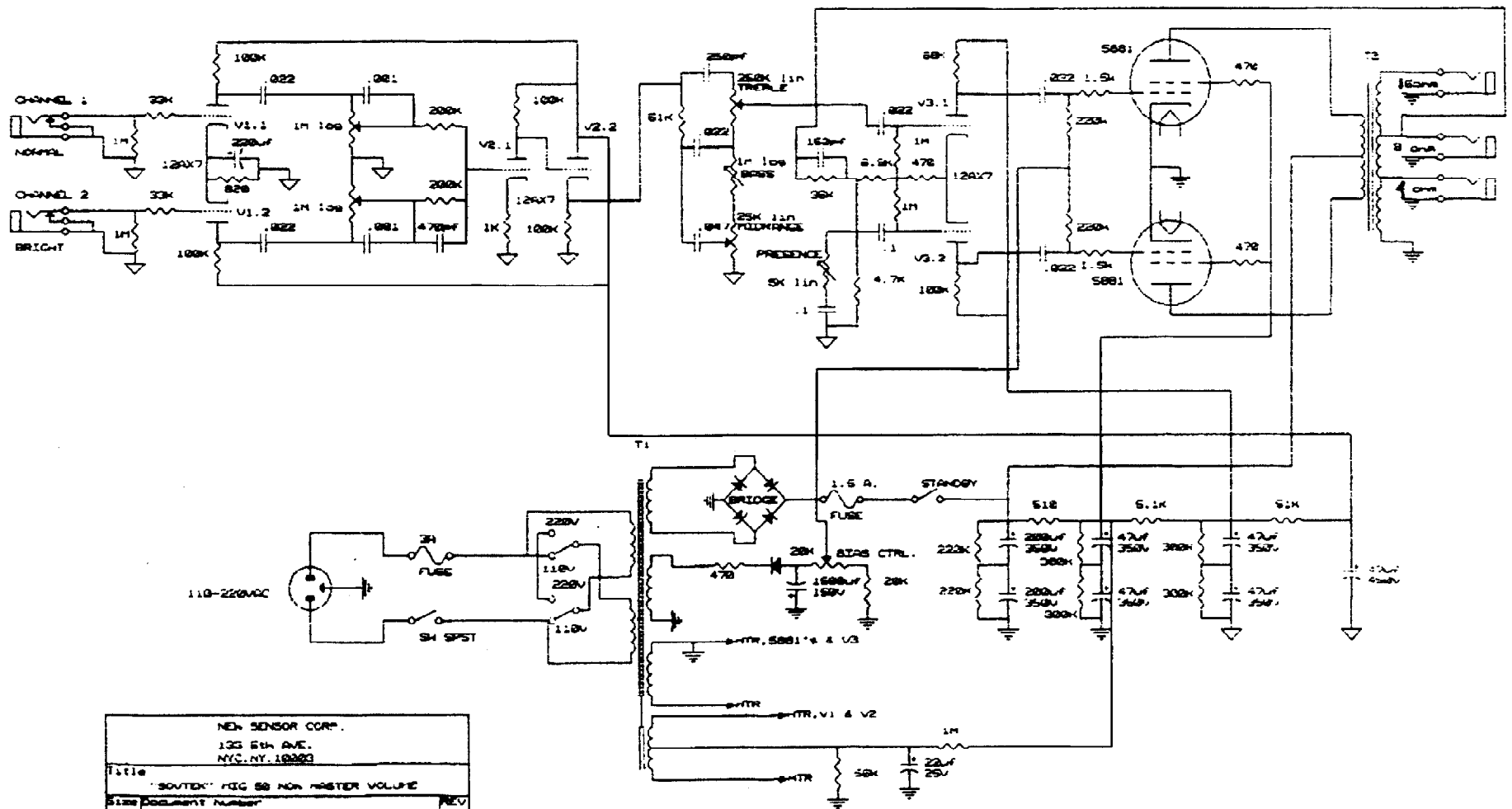


MIG 50 MASTER VOLUME

Sovtek



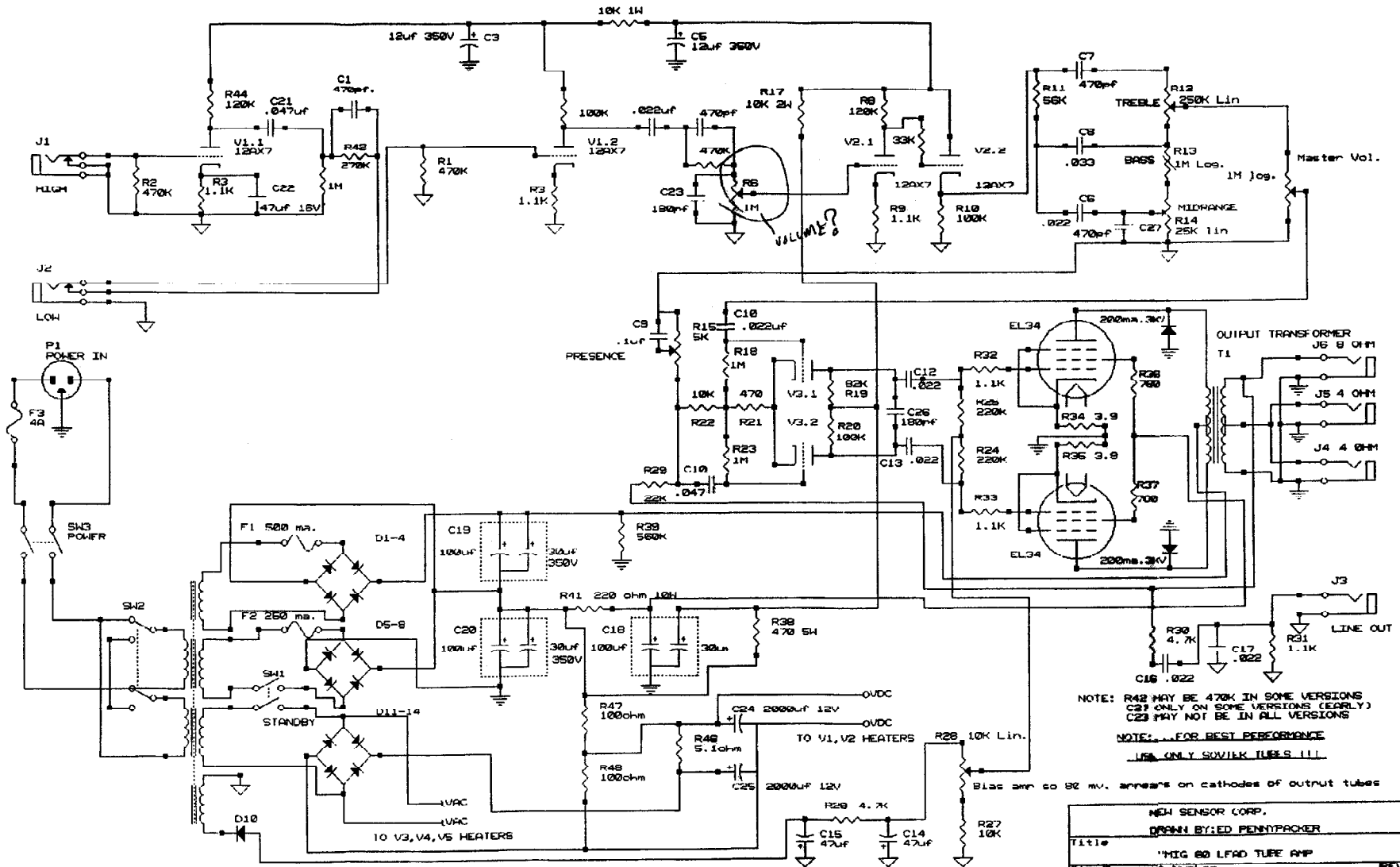
NEW SENSOR CORP.
136 5th AVE.
NYC, NY, 10003

Title "SOVTEK" MIG 50 MASTER VOLUME	
Size DOCUMENT NUMBER 8	REV A
PART NO. A-41 15-1000-01	

BOUGHT SOVTEK MIG 50
SERIAL# 3AB.00079I
24 SEPT 1994

MIG 60 LEAD

Sovtek



NEW SENSOR CORP.	
DRAWN BY: ED PENNIPACKER	
"MIG 60 LEAD TUBE AMP"	
Size	Document Number
B	
Date: September 15, 1954	Sheet 1 of 1