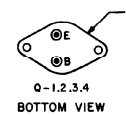
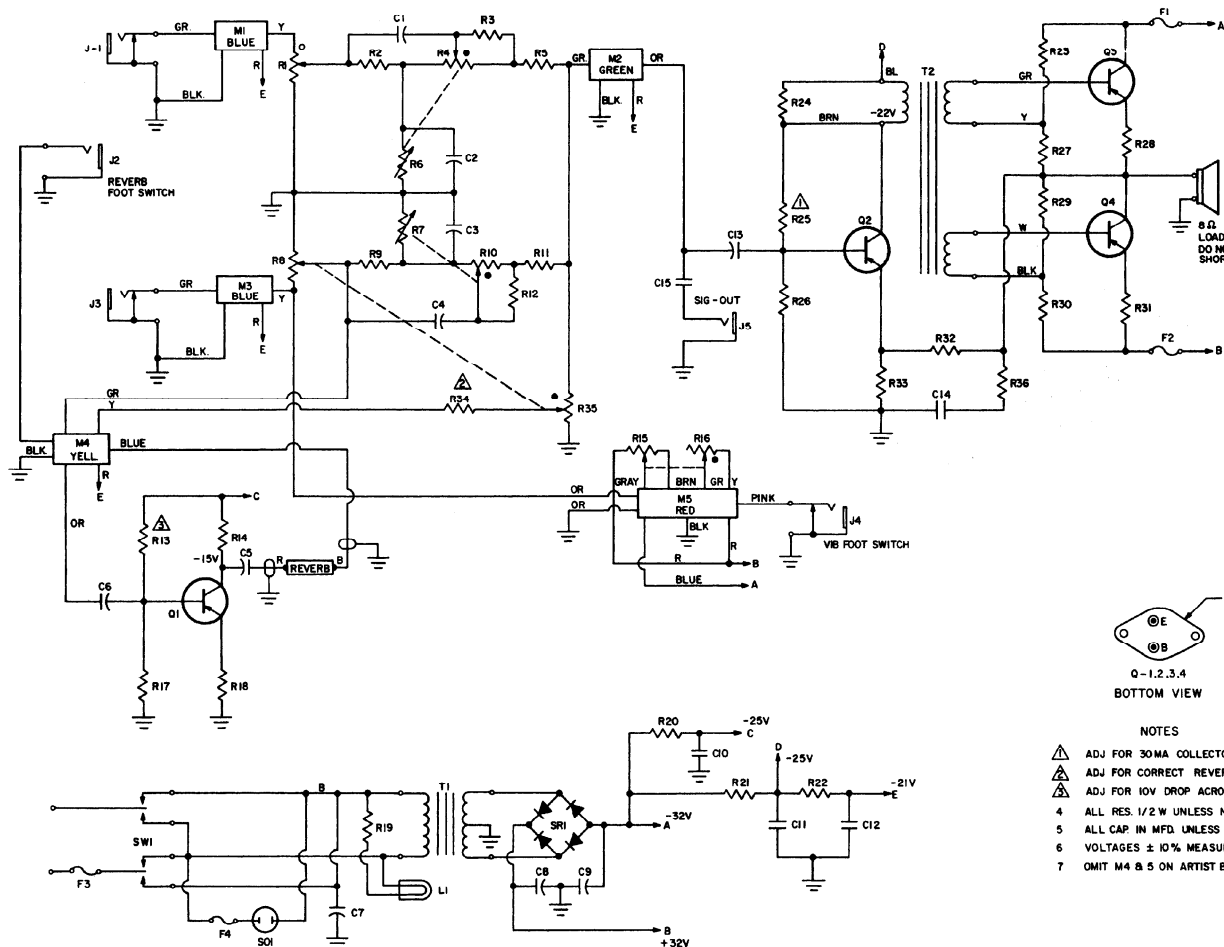


# ARTIST & STUDIO MODELS

# Standel

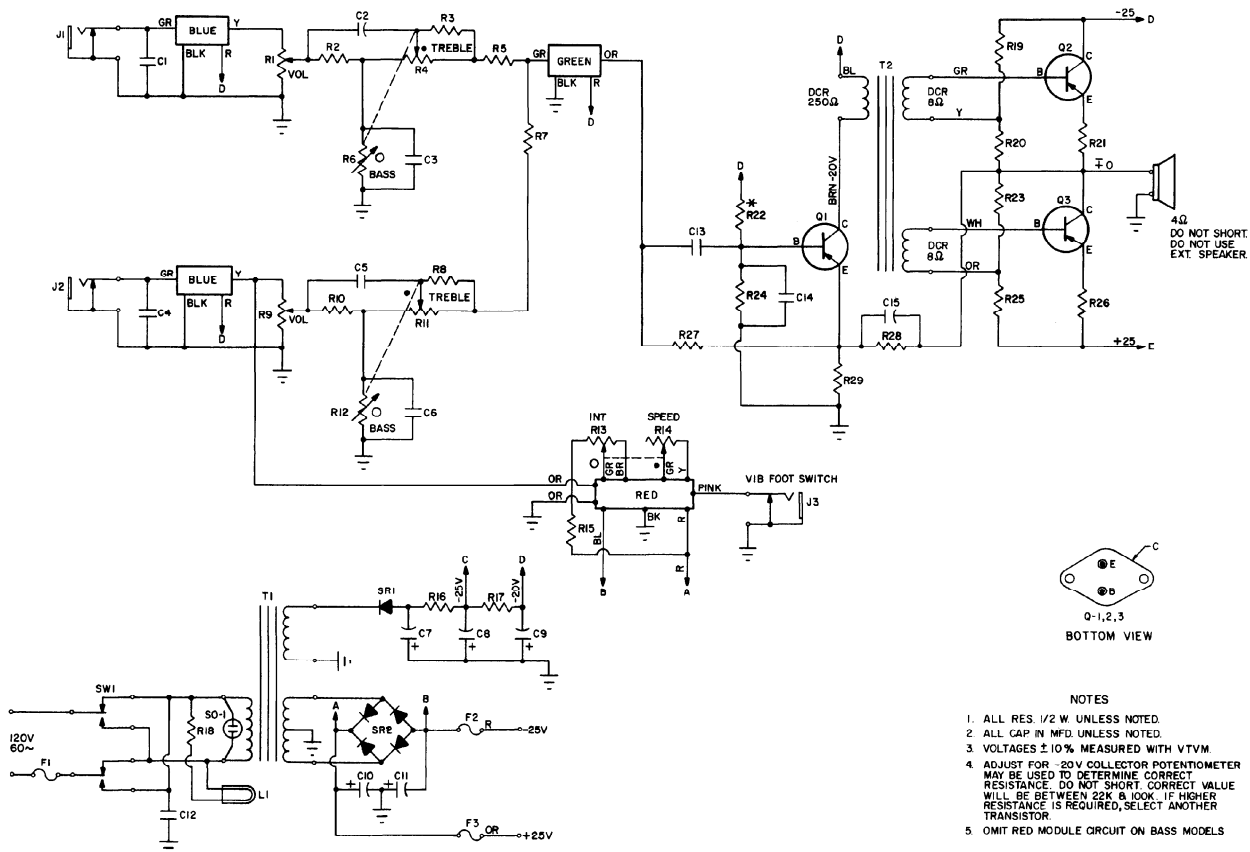


- NOTES
- ⚠ ADJ FOR 30MA COLLECTOR CURRENT
  - ⚠ ADJ FOR CORRECT REVERB INTENSITY
  - ⚠ ADJ FOR 10V DROP ACROSS R4
  - 4 ALL RES. 1/2 W UNLESS NOTED.
  - 5 ALL CAP IN MFD UNLESS NOTED
  - 6 VOLTAGES ± 10% MEASURED WITH VTVM
  - 7 OMIT M4 & 5 ON ARTIST BASS MODELS

ITEM	PART NO	DESCRIPTION	ORIG DWG
R1	10-2B	25K VOLUME	12-9-66
R2	5-25	10K	
R3			
R4	10-1B	10K TREBLE	
R6	5-23	2.2K	
R6	10-1B	10K BASE	
R7			
R0	10-3	25K VOLUME	
R9	5-25	10K	
R10	10-1B	10K TREBLE	
R11	5-23	2.2K	
R12	5-25	10K	
R13		FACTORY SELECTED	
R14	5-1B	470	
R15	10-2B	25K INTENSITY	
R16		1K SPEED	
R17	5-25	10K	
R18	5-3	4.7	
R19	3-3B	100K	
R20	5-16	330	
R21	5-12	100	
R22	5-1B	330	
R23	5-73	680 2W	
R24		10K	
R25		FACTORY SELECTED	
R26	5-25	10K	
R27	5-2	2.7	
R28	5-1	4.7	
R29	5-73	680 2W	
R30	5-2	2.7	
R31	5-1	4.7	
R32	5-68	270 1W	
R33	5-3	4.7	
R34		FACTORY SELECTED	
R35	10-3	25K REVERB	
R36		22 2W	
C1	4-16	0.1-100V	
C2-3	4-12	22-250V	
C4	4-16	0.1-100V	
C5	4-12	22-250V	
C6			
C7	4-16	.02-600V	
C8	4-3	4000 35V	
C9			
C10	4-6	250-25V	
C11			
C12			
C13	4-11	IMPFD - 15V	
C14	4-12	22-250V	
C15		1K	
Q1-2	7-4	2N1132	
Q3-4	7-2	7299B03	
SRI	7-8	BRIDGE RECT	
J1	15-1	CLOSED CIRC JACK	
J2-5	15-2	OPEN CIRC JACK	
J3-4	15-1	CLOSED CIRC JACK	
L1	15-2	PILOT LAMP	
F1-2	17-5	3AG-3A	
F3-4	17-6	3AG-2A	
M1	22-1	NORM INPUT MOD.	
M2	22-2	INTERSTAGE MOD.	
M3	22-1	VIB INPUT MOD.	
M4	22-3	REVERB MOD.	
M5	22-4	VIBRATO MOD.	
SW1	8-1	DPDT CENTER OFF	
T1	2-1	POWER TRANS.	
T2	2-5	DRIVER TRANS.	
S01	9-2	POWER RECEPTACLE	
THE STANDEL CO. TEMPLE CITY, CALIF.			
SCHEMATIC DIAGRAM ARTIST & STUDIO MODELS			
DRAFTSMAN I.D.S.	CHECKED	APPROVED	DATE

# ARTIST MODELS SUFFIX ?A?

# Standel



ITEM	PART NO.	DESCRIPTION	ORIG. DWG.
R1	25K	POT	3-25-65
R2	10K	RESISTOR	
R3			
R4		POT	
R5	2.2K	RESISTOR	
R6	25K		
R7	2.2K		
R8	10K		
R9	25K	POT	
R10	10K	RESISTOR	
R11		POT	
R12	25K	RESISTOR	
R13		POT	
R14	1K		
R15	10K	RESISTOR	
R16	270Ω		
R17	1K		
R18	100K		
R19	470Ω	2-WATT	
R20	2.7Ω		
R21	33Ω		
R22	SEE NOTE 4		
R23	470Ω	2-WATT	
R24	1K		
R25	2.7Ω		
R26	33Ω		
R27	2.2K		
R28	180Ω		
R29	47Ω	1-WATT	
C1	100 PF	CAPACITOR	
C2	.01		
C3	.22		
C4	100 PF		
C5	.01		
C6	.22		
C7	100/50		
C8	250/25		
C9	250/25		
C10	1000/25		
C11	1000/25		
C12	.02/600		
C13	5 M.F.D.		
C14	.01		
C15	.01		
Q1	2N663	TRANSISTOR	
Q2	DT6110		
Q3	DT9110		
SR1	SC2E	SIL RECT	
SR2	66-5999		
J1		CLOSED CKT. JACK	
J2			
J3			
L1		PILOT LAMP	
F1	1A	FUSE	
F2	2A		
F3	2A		
SW1		DPDT. CENTER OFF	
T1	560	POWER TRANS.	
T2	99A7	DRIVER TRANS.	
SO-1		STD. OUTLET	
THE STANDEL CO. TEMPLE CITY, CALIF.			
ALL ARTIST MODELS WITH SUFFIX "A"			
DRAFTSMAN	CHECKED	APPROVED	DATE
I.D.S.			