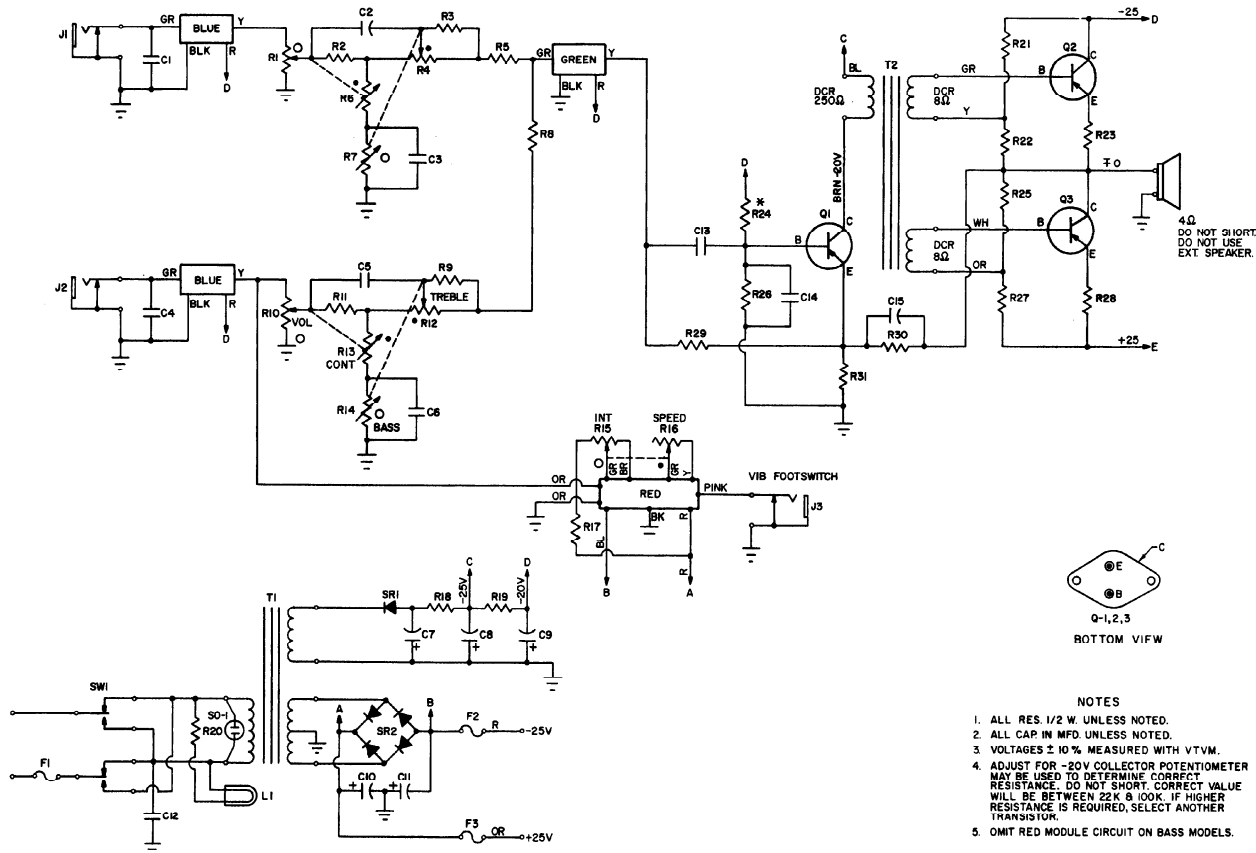


CUSTOM MODELS SUFFIX 'A'?

Standel



ITEM	PART NO	DESCRIPTION	ORIG DWG.
R1	25K	POT	3-18-65
R2	10K	RESISTOR	
R3			
R4		POT	
R5	2.2K	RESISTOR	
R6	1K		
R7	10K		
R8	2.2K		
R9	10K		
R10	25K	POT	
R11	10K	RESISTOR	
R12		POT	
R13	1K	RESISTOR	
R14	25K		
R15	25K	POT	
R16	1K		
R17	10K	RESISTOR	
R18	270 Ω		
R19	1K		
R20	100K		
R21	470 Ω	2-WATT	
R22	27 Ω		
R23	47 Ω		
R24	SEE NOTE 4		
R25	470 Ω	2-WATT	
R26	1K		
R27	2.2K		
R28	47 Ω		
R29	2.2K		
R30	150 Ω		
R31	4.7 Ω	1-WATT	
C1	100 PF	CAPACITOR	
C2	.01		
C3	.22		
C4	100 PF		
C5	.01		
C6	.22		
C7	100/50		
C8	250/25		
C9	250/25		
C10	1000/25		
C11	1000/25		
C12	.02/500		
C13	10/15		
C14	.01		
C15	.01		
Q1	2N663	TRANSISTOR	
Q2	DTG110		
Q3	DTG110		
SR1	SC2E	SIL RECT	
SR2	66-5999		
J1		CLOSED CKT JACK	
J2			
J3			
L1		PILOT LAMP	
F1	1A	FUSE	
F2	3A		
F3	3A		
SW1		D.P.D.T. CENTER OFF	
T1	620	POWER TRANS.	
T2	99A7	DRIVER TRANS.	
SO-1		STD. OUTLET	
THE STANDEL CO. TEMPLE CITY, CALIF.			
SCHEMATIC DIAGRAM ALL CUSTOM MODELS WITH SUFFIX 'A' S84A			
DRAFTSMAN 105	CHECKED	APPROVED	DATE