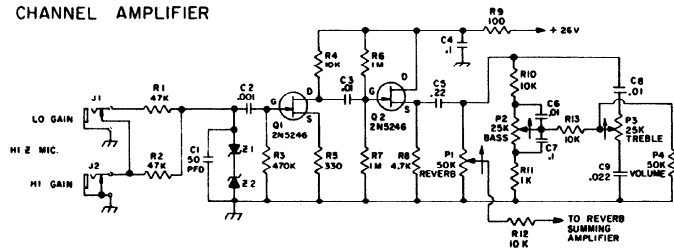
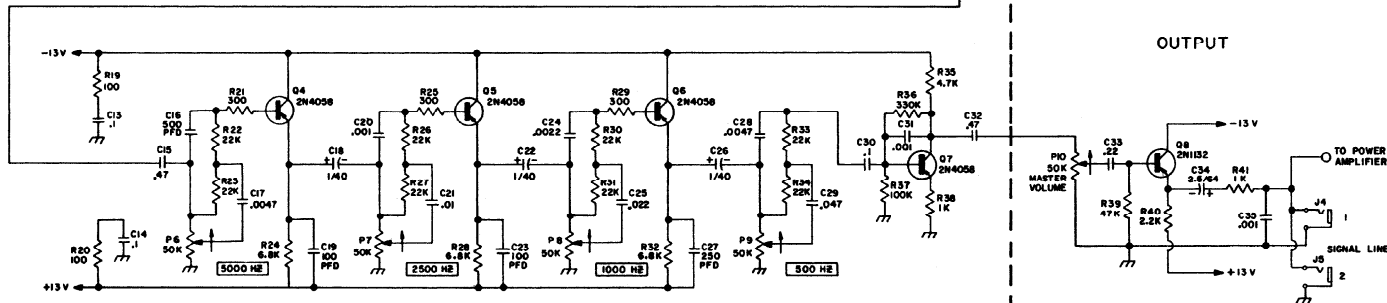
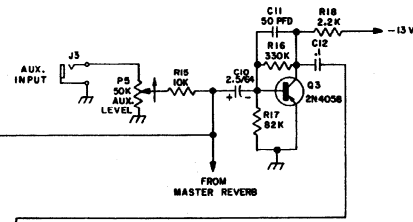


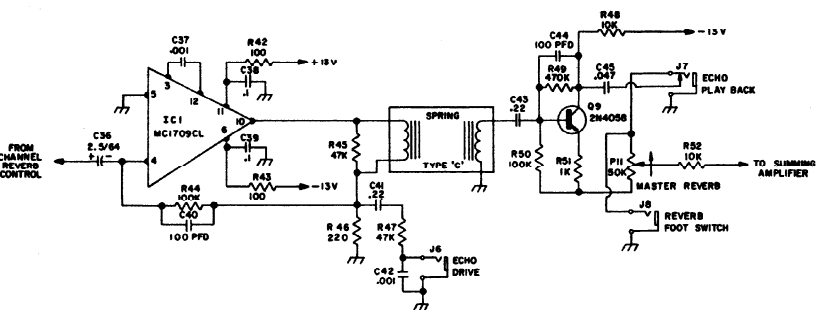
CHANNEL AMPLIFIER



SUMMING AMPLIFIER

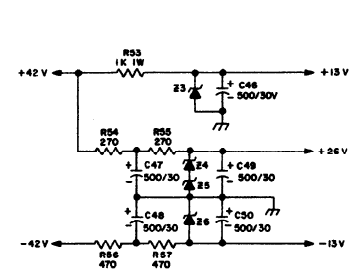


EQUALIZER



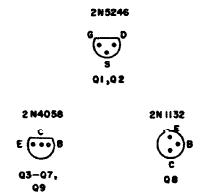
REVERB AMPLIFIER

PRE-AMPL. POWER SUPPLY

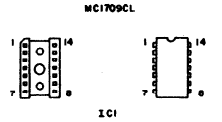


- NOTES:
1. ALL CAPACITORS ARE RATED IN MFD AND AT 100V UNLESS NOTED.
 2. ALL RESISTORS 1/2 W 5% UNLESS NOTED.
 3. SIX IDENTICAL CHANNEL AMPLIFIERS USED.

BOTTOM VIEWS



TOP VIEWS



Standel

SCHEMATIC DIAGRAM
197E
PA 7
(EXCLUSIVE OF POWER SUPPLY)

DRAFTSMAN H.L.M.M.	CHECKED APR	DATE 5-9-72	10028
-----------------------	----------------	----------------	-------