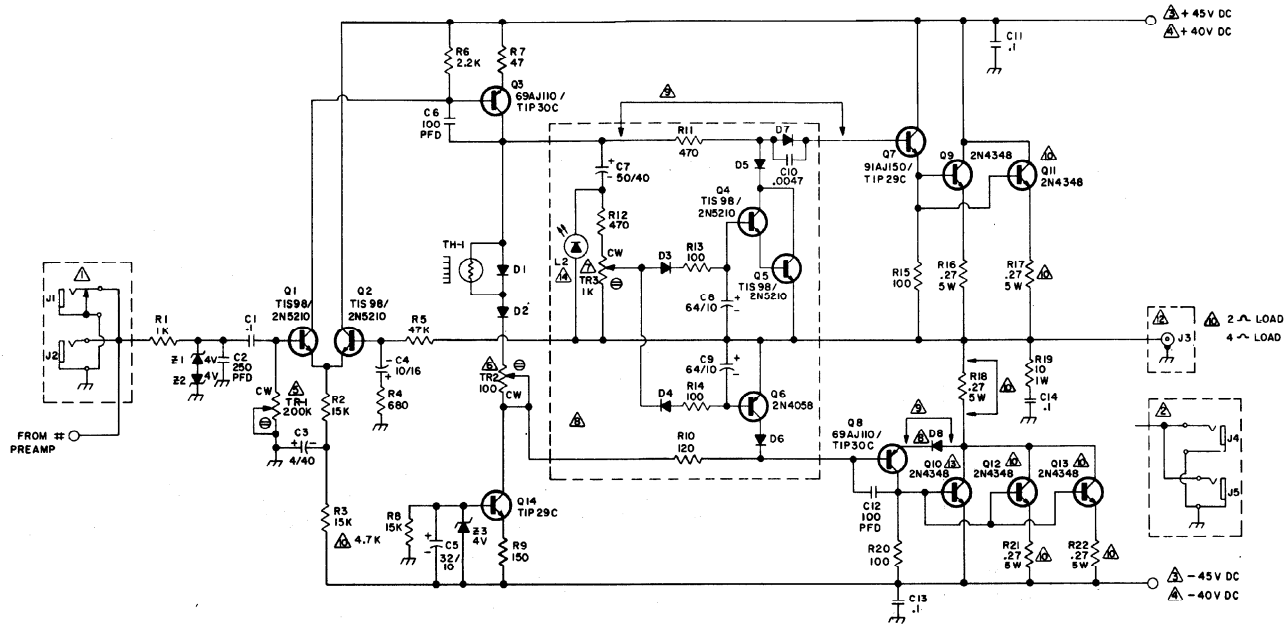


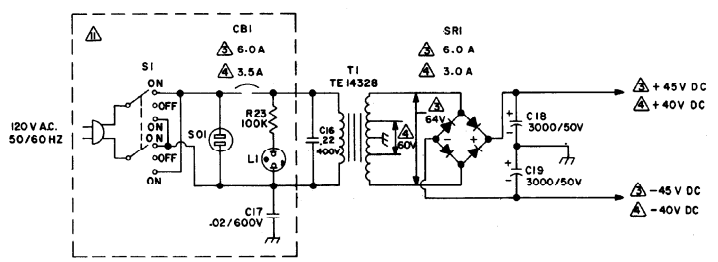
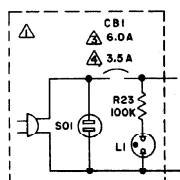
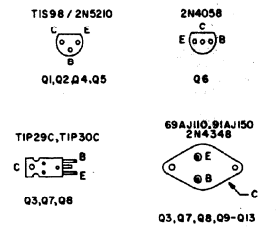
POWER SECTION

Standel



- NOTES:
- ALL CAPACITORS ARE RATED IN MFD AND AT 100V UNLESS NOTED.
 - ALL RESISTOR 1/2 WATT 5% UNLESS NOTED.
 - ⊖ INDICATES SCREW DRIVER ADJUST.
 - ⚠ USED ON IMPERIAL, ARTIST & PB MODELS.
 - ⚠ USED ONLY ON PA. 6, MC6P, MCII GP, MCII BP, P125, P250, IMPERIAL, ARTIST & PB MODELS.
 - ⚠ VALUES FOR IMPERIAL, SUPER ARTIST, CUSTOM, MC2GP, MC2BP, P125, P250 & PB200, MC6P MODELS.
 - ⚠ VALUES FOR PB100, ARTIST, PA. 6 & STUDIO MODELS.
 - ⚠ ADJ. (TR-1) FOR ZERO VDC OFFSET AT OUTPUT.
 - ⚠ ADJ. (TR-2) BIAS POT FOR 5MV ACROSS R16, 17, 18, 21 & 22 WHEN SHORT CIRCUIT PROTECT IS NOT USED, 20MV WHEN SHORT CIRCUIT PROTECT IS USED.
 - ⚠ ADJ. (TR-3) AS FAR CLOCKWISE AS POSSIBLE WITHOUT TRIGGERING SHORT CIRCUIT PROTECT ON FULL OUTPUT PEAKS.
 - ⚠ SHORT CIRCUIT PROTECT, USED ON PA. 6, MC2GP, MC2BP, P125, P250 & MC6P MODELS.
 - ⚠ JUMPER USED IN MODELS WITHOUT SHORT CIRCUIT PROTECT.
 - ⚠ USED ONLY IN MC6P.
 - ⚠ USED ONLY ON CUSTOM, STUDIO, MC2GP, MC2BP, MC6P & PA. 6 MODELS.
 - ⚠ USED ONLY ON CUSTOM & STUDIO MODELS.
 - ⚠ NOT USED IN MC6P.
 - ⚠ USED ONLY ON P125 & P250 MODELS.

BOTTOM VIEWS



Standel

SCHEMATIC DIAGRAM
POWER SECTION
SERIAL START NO. 34707

DRAFTSMAN	CHECKED	APP	DATE	ID026
H. W. M.	M. D. S.		7-6-71	