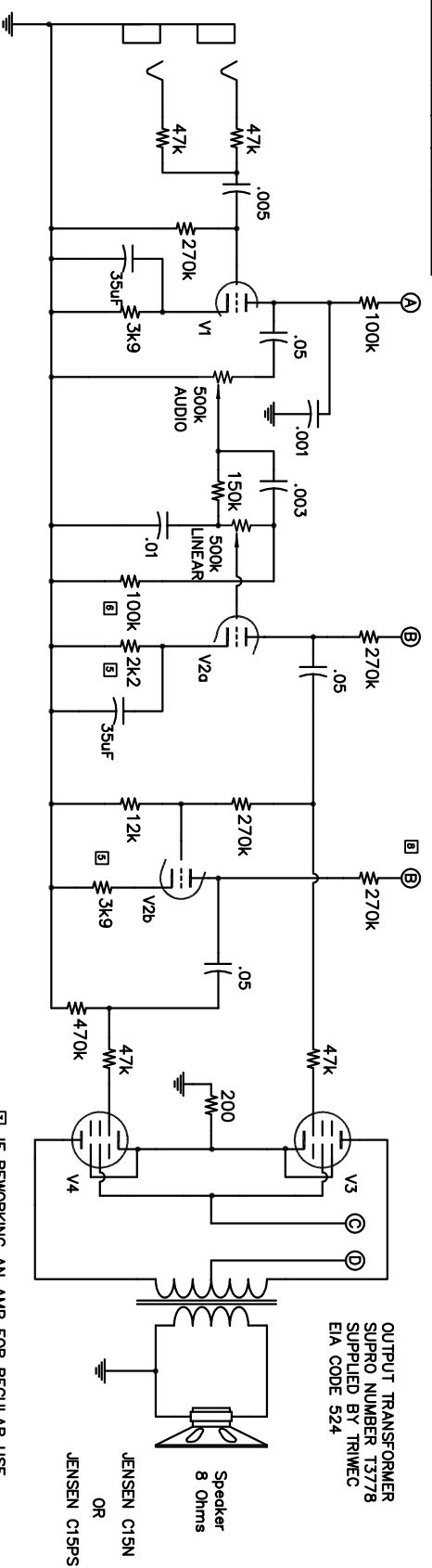


Rev.	Revision note	Date	By
1	ADDED VOLTAGE NOTES	04/05/06	SCW
2	ADDED FILTER CAP NOTE	04/05/06	SCW
3	ADDED CATHODE RES. NOTE	04/05/06	SCW
4	REVISED VOLTAGE ESTIMATES	04/06/06	SCW
5	CORRECTED CATHODE RESISTOR VALUES	04/24/06	SCW
6	CORRECTED RESISTOR VALUE	04/24/06	SCW
7	ADDED NOTE ABOUT SOCKET WIRING	09/13/06	SCW
8	CORRECTED PHASE INVERTER WIRING	11/27/07	SCW



IF USING 5B61, 6L6B OR 6L6C TUBES THE CONNECTION FROM G3 TO CATHODE IS NOT NEEDED. EXTERNAL CONNECTION ONLY NEEDED IF YOU WANT TO USE EL34

OUTPUT TRANSFORMER  
SUPRO NUMBER 13778  
SUPPLIED BY TRIMEC  
EIA CODE 524

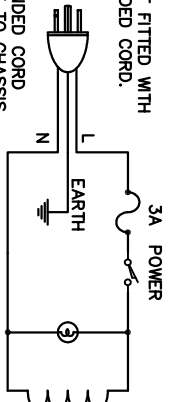
JENSEN C15N  
OR  
JENSEN C15PS  
Speaker  
8 Ohms

IF REWORKING AN AMP FOR REGULAR USE, THE CATHODE RESISTOR SHOULD BE ADJUSTED TO 220 OR 250 OHM FOR PROPER BIAS OF OUTPUT TUBES.

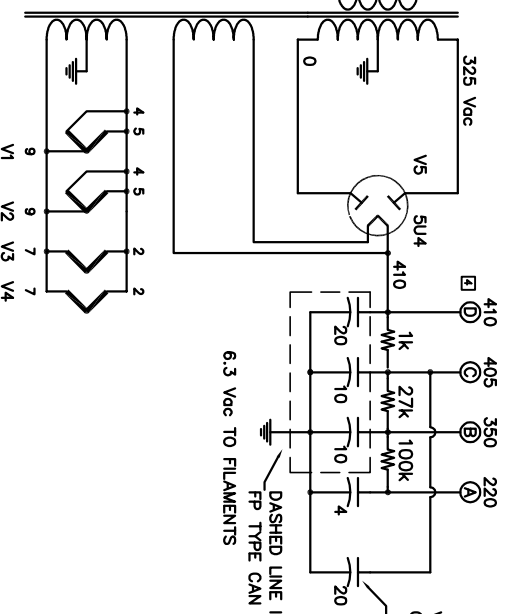
VOLTAGE MEASUREMENTS BASED ON ESTIMATES NOT MEASURED DATA \*\*  
SEVERAL PEOPLE HAVE REPORTED GREATLY DIFFERENT VALUES, ESPECIALLY IN THE PREAMP

ORIGINAL MODELS NOT FITTED WITH THREE PRONG GROUNDED CORD.

WHEN FITTING A GOUNDED CORD SECURE GROUND WIRE TO CHASSIS BY USING TRANSFORMER BOLT



THE 1964 AND 1965 MODELS WERE COVERED IN A BLUE MATERIAL AND FEATURED A TUBE RECTIFIER THE 1966 MODEL WAS COVERED IN BLACK AND HAD A SOLID STATE RECTIFIER FITTED AFTER MID YEAR. THE S6420 THUNDERBOLT WAS DISCONTINUED SOMETIME IN 1967. THE S6920 MODEL IS GREATLY DIFFERENT.



VOLTAGE MEASUREMENTS TAKEN WITH 125VAC LINE POWER  
ORIGINAL AMPS DESIGNED FOR 115VAC LINE POWER  
THIS CAPACITOR INSIDE AMPLIFIER CHASSIS 30uF IN SOME MODELS  
DASHED LINE INDICATES MULTISECTION FP TYPE CAN CAPACITOR

NOTES: V1 (12AX7) ONE TRIODE LEFT UNUSED  
CAPACITOR VALUES IN uF  
FILTER CAPACITORS ARE 450 V  
VOLTAGE MEASUREMENTS DC UNLESS SPECIFIED

VOLTAGE CHART VALUES BY J. MITCHELL

1	2	3	4	5	6	7	8	9
12AX7	197	0	2.2	3.3AC	3.3AC	-	-	3.3AC
12AX7	167	0	2.0	3.3AC	3.3AC	138	0	1.4
6L6GC	-	0	3.3AC	390	0.4	-	3.3AC	30
6L6GC	-	0	3.3AC	390	0.4	-	3.3AC	30
6L6GC	-	0	3.3AC	390	0.4	-	3.3AC	30
6L6GC	-	0	3.3AC	390	0.4	-	3.3AC	30

MANY THANKS TO GREG SIMON, CU POLIUS, URIAH THERIAULT AND JIM MITCHELL FOR THEIR ASSISTANCE IN GATHERING THIS INFORMATION

# Weatherford Amplifiers

SCALE: NONE  
DATE: 3/3/2003  
DRAWN BY: S. Weatherford

This schematic redrawn from a version provided by Schematic Heaven. Weatherford Amplifiers claims no rights to any of the information contained in this drawing. The quality of the original was poor and some values were difficult to determine.

1965 SUPRO THUNDERBOLT  
DRAWING NUMBER  
S6420-TR