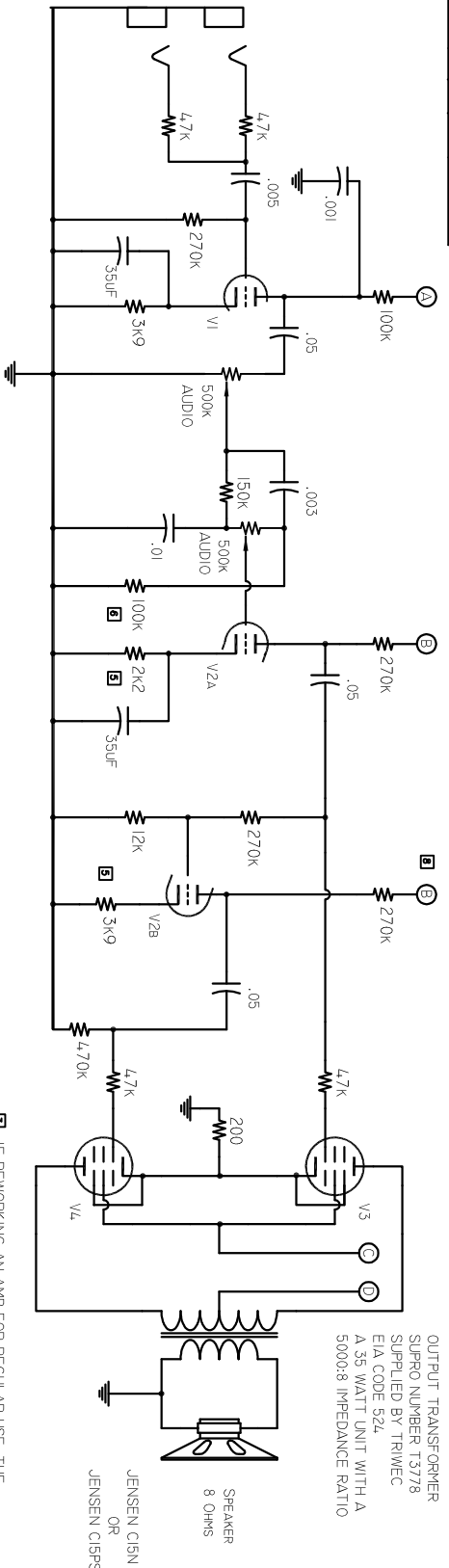


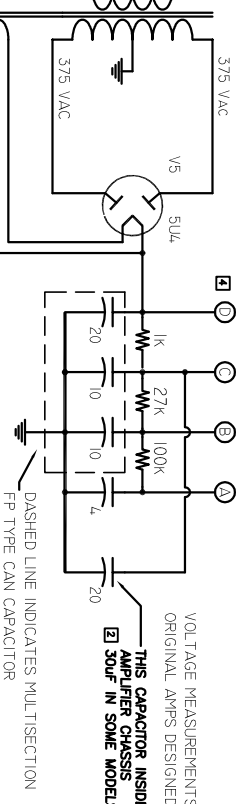
Rev.	Revision note	Date	By
11	ADDED VOLTAGE NOTES	04/05/06	SCW
10	ADDED FILTER CAP NOTE	04/05/06	SCW
9	ADDED CATHODE RES. NOTE	04/05/06	SCW
8	REVISED VOLTAGE ESTIMATES	04/06/06	SCW
7	CORRECTED CATHODE RESISTOR VALUES	04/24/06	SCW
6	CORRECTED RESISTOR VALUE	04/24/06	SCW
5	ADDED NOTE ABOUT SOCKET WIRING	09/13/06	SCW
4	CORRECTED PHASE INVERTER WIRING	11/27/07	SCW



IF REWORKING AN AMP FOR REGULAR USE, THE BIASING OF THE OUTPUT TUBES SHOULD BE VERIFIED. THE 200 OHM RESISTOR CAN BE EXCHANGED FOR A 220 OR 240 OHM UNIT. INCREASING THE RESISTOR VALUE WILL DECREASE THE HARMONIC RICHNESS OF THE AMPLIFIER OUTPUT, BUT WILL GIVE EXTENDED TUBE LIFE. THE SOUND IS NOTICEABLY COLDER WITH A 240 OHM RESISTOR.

IF USING 5881, 6L6GB OR 6L6GC TUBES THE CONNECTION FROM G3 TO CATHODE IS NOT NEEDED. EXTERNAL CONNECTION ONLY NEEDED IF YOU WANT TO USE EL34

IF REWORKING AN AMP FOR REGULAR USE, THE BIASING OF THE OUTPUT TUBES SHOULD BE VERIFIED. THE 200 OHM RESISTOR CAN BE EXCHANGED FOR A 220 OR 240 OHM UNIT. INCREASING THE RESISTOR VALUE WILL DECREASE THE HARMONIC RICHNESS OF THE AMPLIFIER OUTPUT, BUT WILL GIVE EXTENDED TUBE LIFE. THE SOUND IS NOTICEABLY COLDER WITH A 240 OHM RESISTOR.



ORIGINAL MODELS NOT FITTED WITH THREE PRONG GROUNDED CORD.

WHEN FITTING A GROUNDED CORD SECURE GROUND WIRE TO CHASSIS BY USING TRANSFORMER BOLT

THE 1964 AND 1965 MODELS WERE COVERED IN A BLUE MATERIAL AND FEATURED A TUBE RECTIFIER THE 1966 MODEL WAS COVERED IN BLACK AND HAD A SOLID STATE RECTIFIER FITTED AFTER MID YEAR.

THE S6420 THUNDERBOLT WAS DISCONTINUED SOMETIME IN 1968. THE S6920 MODEL IS GREATLY DIFFERENT.

VOLTAGE CHART

VALUES BY MIKE SCARVELLUS

1	2	3	4	5	6	7	8	9
12AX7	247	0	2.2	3.3AC	3.3AC	-	-	3.3AC
12AX7	210	0	2.0	3.3AC	172	0	1.5	3.3AC
6L6GC	-	3.3AC	415	412	0.35	-	3.3AC	31.5
6L6GC	-	3.3AC	415	412	0.35	-	3.3AC	31.5

MANY THANKS TO GREG SIMON, CJ POLLUS, URIAH THERIAULT, JIM MITCHELL AND MIKE SCARVIN FOR THEIR ASSISTANCE IN GATHERING THIS INFORMATION

Simon

Weatherford Amplifiers

SCALE: NONE

DATE: 2/20/2012

THIS SCHEMATIC REDRAWN FROM A VERSION PROVIDED BY SCHEMATIC HEAVEN. WEATHERFORD AMPLIFIERS CLAIMS NO RIGHTS TO ANY OF THE INFORMATION CONTAINED IN THIS DRAWING. THE QUALITY OF THE ORIGINAL WAS POOR AND SOME VALUES WERE DIFFICULT TO DETERMINE.

DRAWN BY: S. WEATHERFORD

1965 SUPRO THUNDERBOLT

DRAWING NUMBER S6420-TR

NOTES: V1 (12AX7) ONE TRIODE LEFT UNUSED CAPACITOR VALUES IN UF FILTER CAPACITORS ARE 450 V VOLTAGE MEASUREMENTS DC UNLESS SPECIFIED