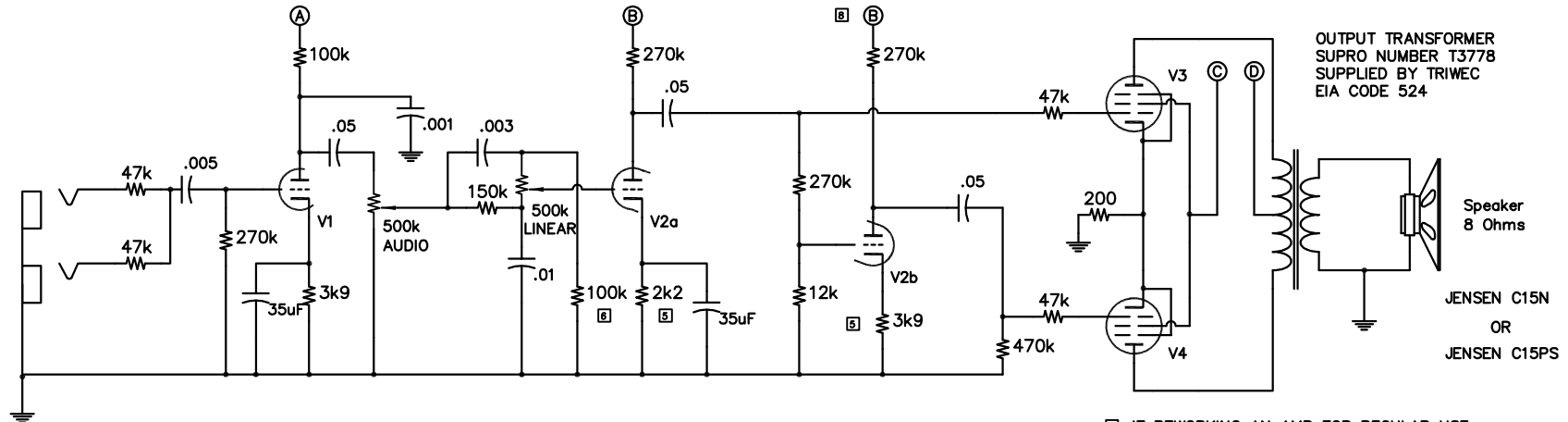


Rev.	Revision note	Date	By
1	ADDED VOLTAGE NOTES	04/05/06	SCW
2	ADDED FILTER CAP NOTE	04/05/06	SCW
3	ADDED CATHODE RES. NOTE	04/05/06	SCW
4	REVISED VOLTAGE ESTIMATES	04/06/06	SCW
5	CORRECTED CATHODE RESISTOR VALUES	04/24/06	SCW
6	CORRECTED RESISTOR VALUE	04/24/06	SCW
7	ADDED NOTE ABOUT SOCKET WIRING	09/13/06	SCW
8	CORRECTED PHASE INVERTER WIRING	11/27/07	SCW

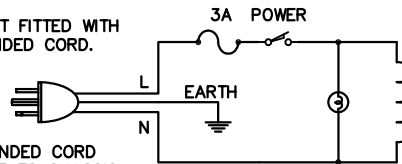


11 **VOLTAGE MEASUREMENTS BASED ON ESTIMATES NOT MEASURED DATA **
 12 SEVERAL PEOPLE HAVE REPORTED GREATLY DIFFERENT VALUES, ESPECIALLY IN THE PREAMP

13 IF USING 5881, 6L6GB OR 6L6GC TUBES
 14 THE CONNECTION FROM G3 TO CATHODE IS
 15 NOT NEEDED. EXTERNAL CONNECTION
 16 ONLY NEEDED IF YOU WANT TO USE EL34

17 IF REWORKING AN AMP FOR REGULAR USE,
 18 THE CATHODE RESISTOR SHOULD BE
 19 ADJUSTED TO 220 OR 250 OHM FOR
 20 PROPER BIAS OF OUTPUT TUBES.

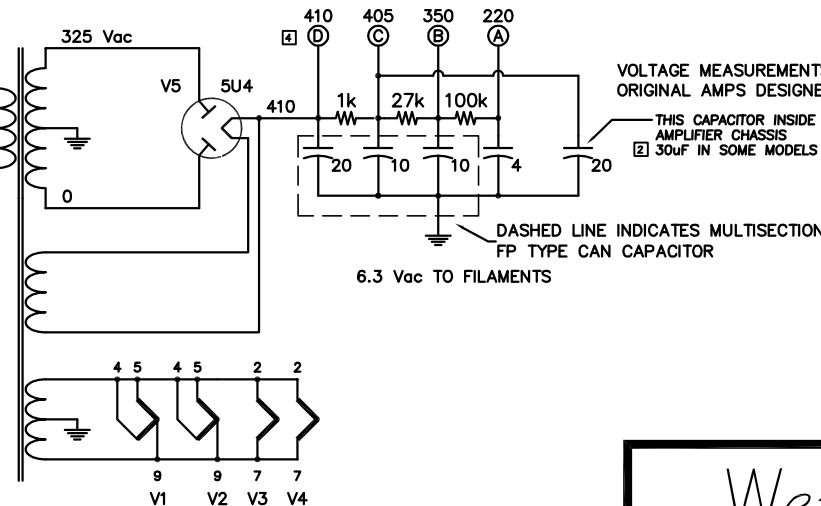
21 ORIGINAL MODELS NOT FITTED WITH
 22 THREE PRONG GROUNDED CORD.



23 WHEN FITTING A GROUNDED CORD
 24 SECURE GROUND WIRE TO CHASSIS
 25 BY USING TRANSFORMER BOLT

26 THE 1964 AND 1965 MODELS WERE COVERED IN
 27 A BLUE MATERIAL AND FEATURED A TUBE RECTIFIER
 28 THE 1966 MODEL WAS COVERED IN BLACK AND HAD
 29 A SOLID STATE RECTIFIER FITTED AFTER MID YEAR.

30 THE S6420 THUNDERBOLT WAS DISCONTINUED SOMETIME
 31 IN 1967. THE S6920 MODEL IS GREATLY DIFFERENT.



32 VOLTAGE MEASUREMENTS TAKEN WITH 125VAC LINE POWER
 33 ORIGINAL AMPS DESIGNED FOR 115VAC LINE POWER

34 THIS CAPACITOR INSIDE
 35 AMPLIFIER CHASSIS
 36 30uF IN SOME MODELS

37 DASHED LINE INDICATES MULTISECTION
 38 FP TYPE CAN CAPACITOR

39 6.3 Vac TO FILAMENTS

40 NOTES: V1 (12AX7) ONE TRIODE LEFT UNUSED
 41 CAPACITOR VALUES IN uF
 42 FILTER CAPACITORS ARE 450 V
 43 VOLTAGE MEASUREMENTS DC UNLESS SPECIFIED

44 VOLTAGE CHART VALUES BY J. MITCHELL

	1	2	3	4	5	6	7	8	9	
12AX7	197	0	2.2	3.3AC	3.3AC	-	-	-	3.3AC	V1
12AX7	167	0	2.0	3.3AC	3.3AC	138	0	1.4	3.3AC	V2
6L6GC	-	0	3.3AC	390	0.4	-	3.3AC	30	-	V3
6L6GC	-	0	3.3AC	390	0.4	-	3.3AC	30	-	V4

45 MANY THANKS TO GREG SIMON, CJ POULUS,
 46 URIAH THERIAULT AND JIM MITCHELL FOR THEIR
 47 ASSISTANCE IN GATHERING THIS INFORMATION

48 *Sam*

Weatherford Amplifiers

49 SCALE: NONE

50 DATE: 3/3/2003

51 DRAWN BY: S. Weatherford

52 This schematic redrawn from a version provided by Schematic Heaven. Weatherford
 53 Amplifiers claims no rights to any of the information contained in this drawing.
 54 The quality of the original was poor and some values were difficult to determine.

55 1965 SUPRO THUNDERBOLT

56 DRAWING NUMBER
 57 S6420-TR