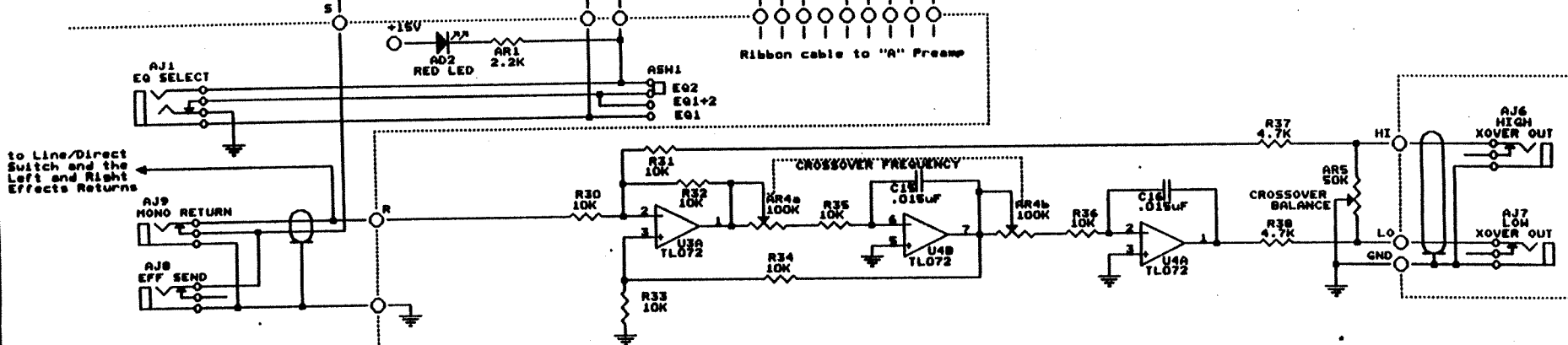
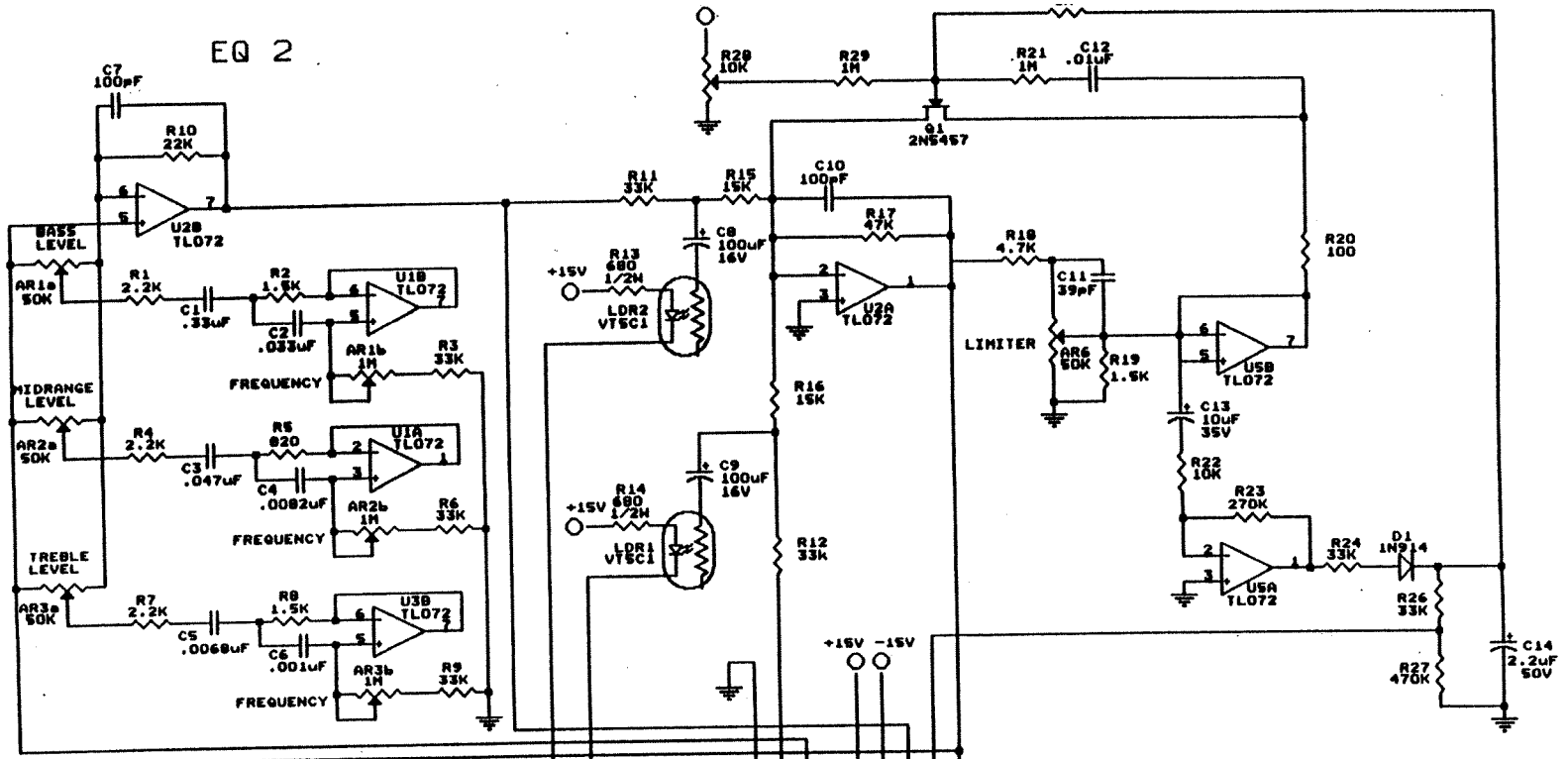


Items outside dashed lines are part of the Chassis Assembly

3. Reference designators with an A prefix are part of the chassis sub-assembly.
2. All TL072s have +15 Volts to pin 8, and -15 Volts to pin 4.
1. Resistors are Ohms, 1/4 Watt.
- NOTES (Unless otherwise indicated)

SHR SOUND CORPORATION		
9130 Glenoaks Blvd.		
Sun Valley, CA 91352		
Phone: (818)253-4797		FAX: (818)253-4799
<a href="http://www.shr.com">http://www.shr.com</a>		
Title		
SH-900 "A" PREAMP		
Size	Document Number	REV
B	700022-1	2
Date:	July 16, 1999	1 of 2

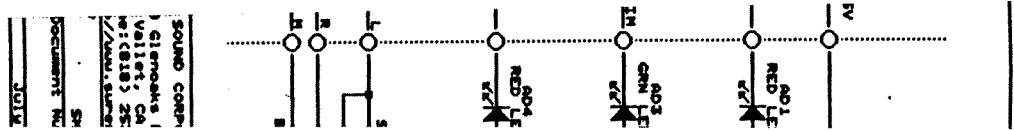
EQ 2



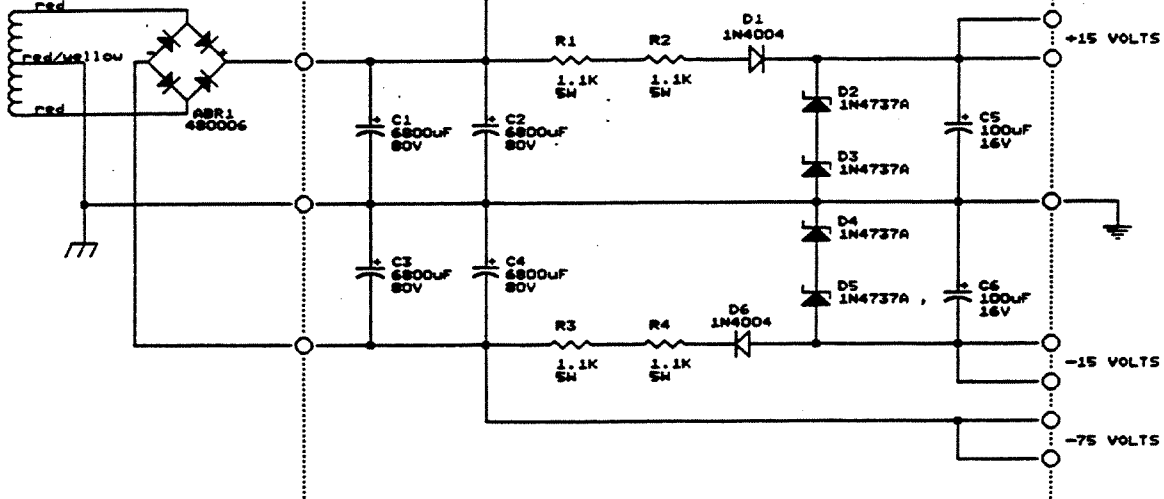
Items outside dashed lines are part of the Chassis Assembly

SHR SOUND CORPORATION  
 9130 Glenoaks Blvd.  
 Sun Valley, CA 91352  
 PHONE: (818) 253-4797 FAX: (818) 253-4799  
 http://www.shrsound.com

Title: SH-900 "B" PREAMP  
 Size: Document Number: REV B  
 700023  
 Date: July 19, 1999 Sheet 1 of 1



Transformer  
Secondary  
AXF1



SMR SOUND CORPORATION  
 9130 Glenoaks Blvd.  
 Sun Valley, CA 91352  
 PHONE: (818) 253-4797 FAX: (818) 253-4799  
 http://www.sureng.com

Title Power Supply Filter Board - SM-900

Size	Document Number	REV
A	700024	A

Date: July 1, 1999 Sheet 1 of 1