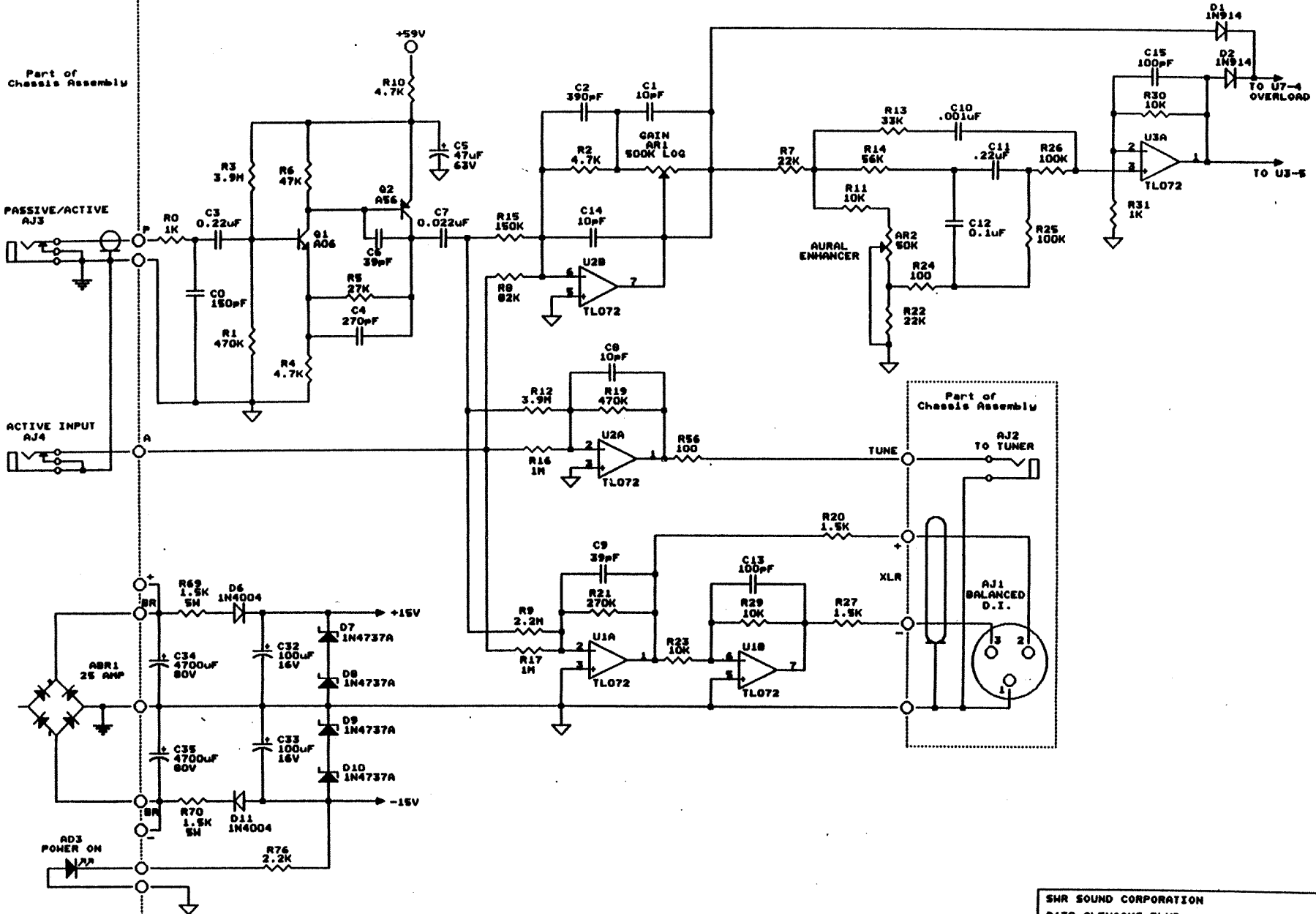


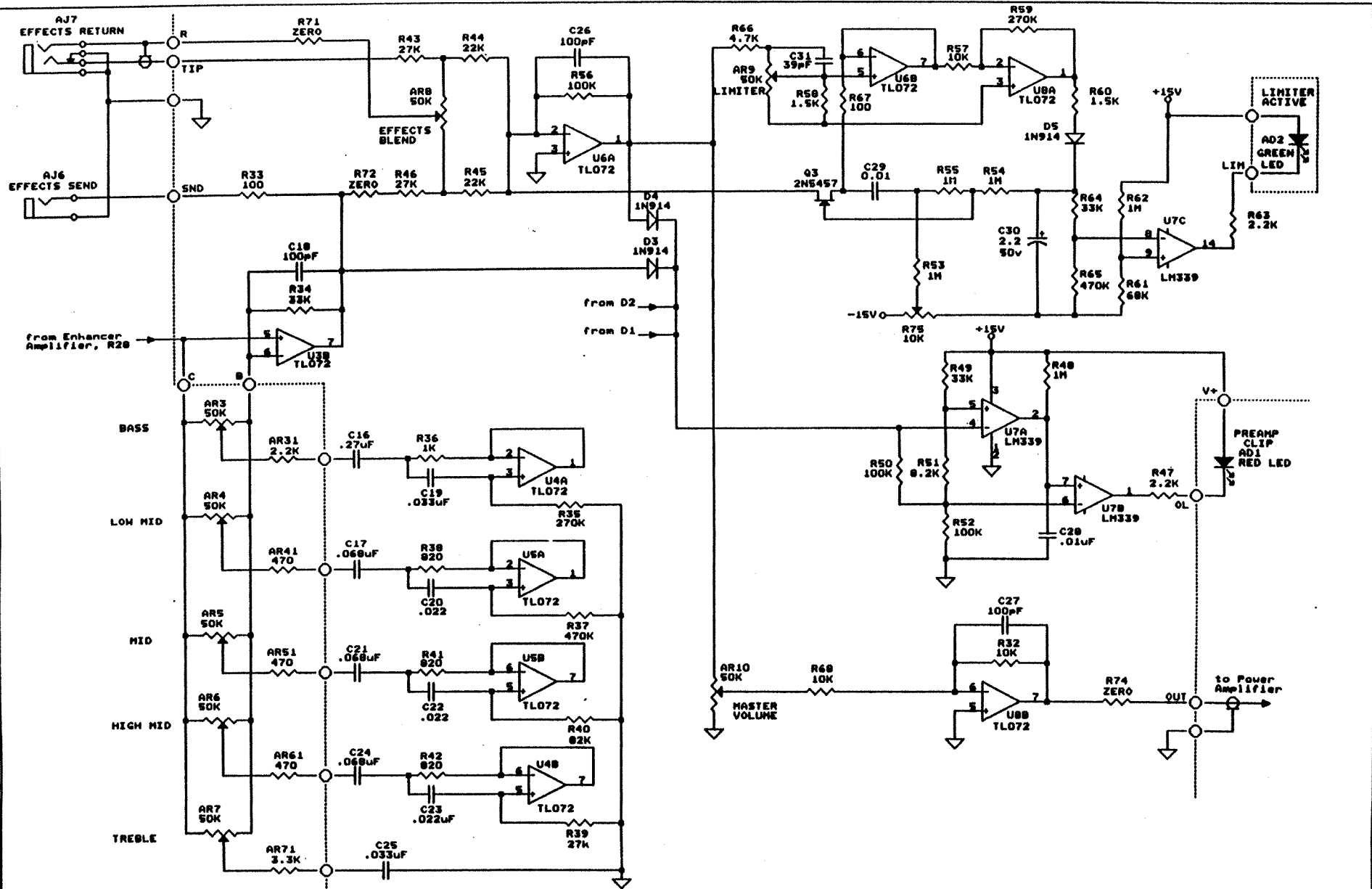
Part of Chassis Assembly



Part of Chassis Assembly

3. Reference designators with an A prefix are part of the chassis sub-assembly.
 2. All TL072s have +15 Volts to pin 8, and -15 Volts to pin 4.
 1. All resistors are Ohms, 1/4 Watt
- NOTES (Unless otherwise indicated):

SMR SOUND CORPORATION	
9130 GLENOAKS BLVD.	
SUN VALLEY, CA 91352	
PHONE: (818) 253-4797	FAX: (818) 253-4799
http://www.smrna.com	
Title	
MM4004 PRERAMP AND AURAL ENHANCER	
Size	Document Number
8	700049-1
Date:	June 2, 1998
Sheet	1 of 2



3. Reference designators with an A prefix are part of the chassis subassembly
 2. All TL072s have +15 Volts to pin 8, and -15 Volts to pin 4.
 1. All resistors are Ohms, 1/4 Watt, and capacitors are in microFarads.
 NOTES (Unless otherwise specified):

SMR SOUND CORPORATION	
9130 GLENOAKS BLVD.	
PHONE: (818) 253-4797 FAX: (818) 253-4799	
http://www.smrsm.com	
Title	
MM4004 TONES, LIMITER, AND EFFECTS	
Size	Document Number
B	700049-2
Date	June 14, 1999
Sheet	2 of 2