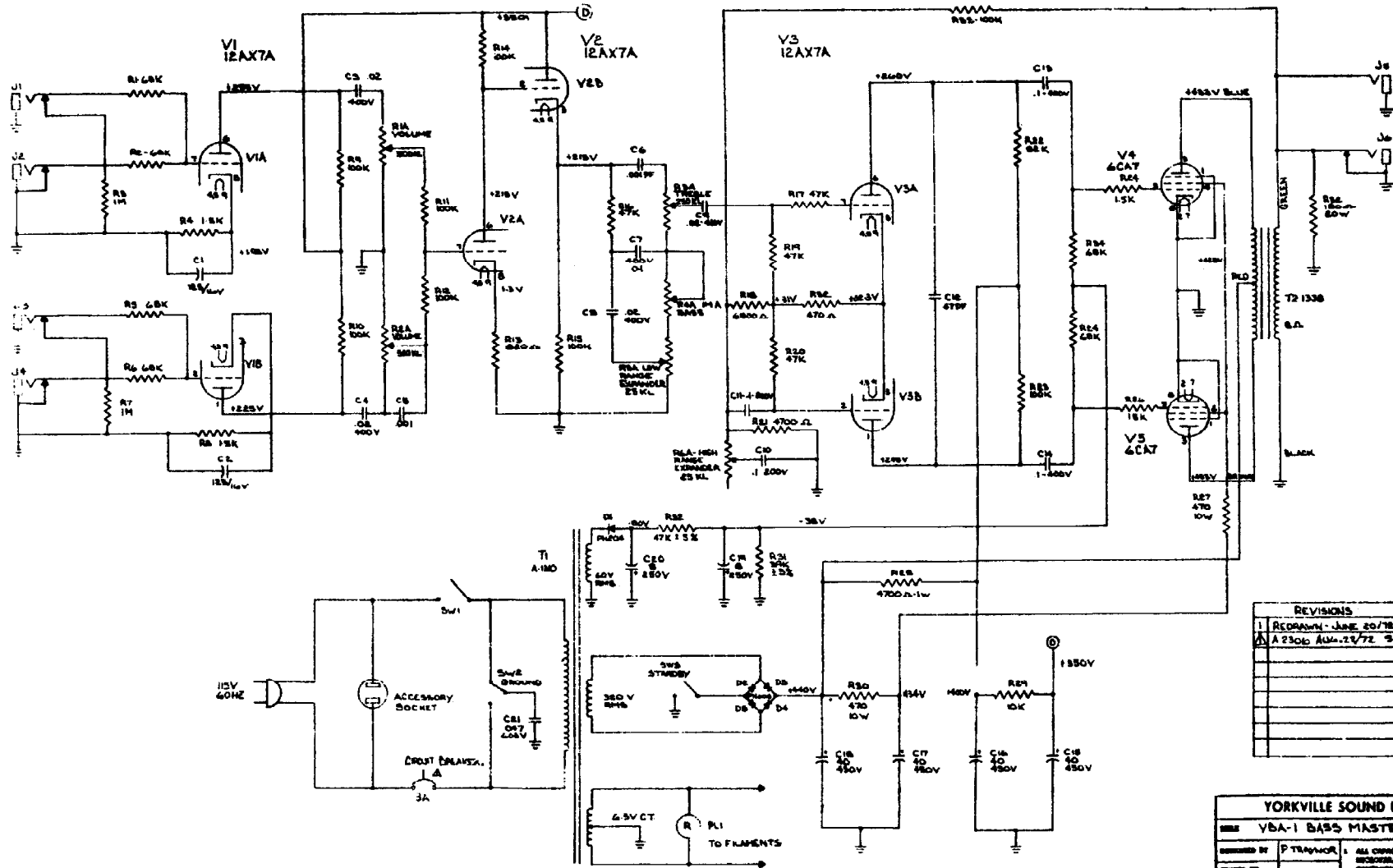


YBA-1 BASS MASTER

Traynor



REVISIONS	
1	REDRAWN - JUNE 20/78
A	250Ω A.M. - 2/72 344KMS

YORKVILLE SOUND LTD.
NAME YBA-1 BASS MASTER

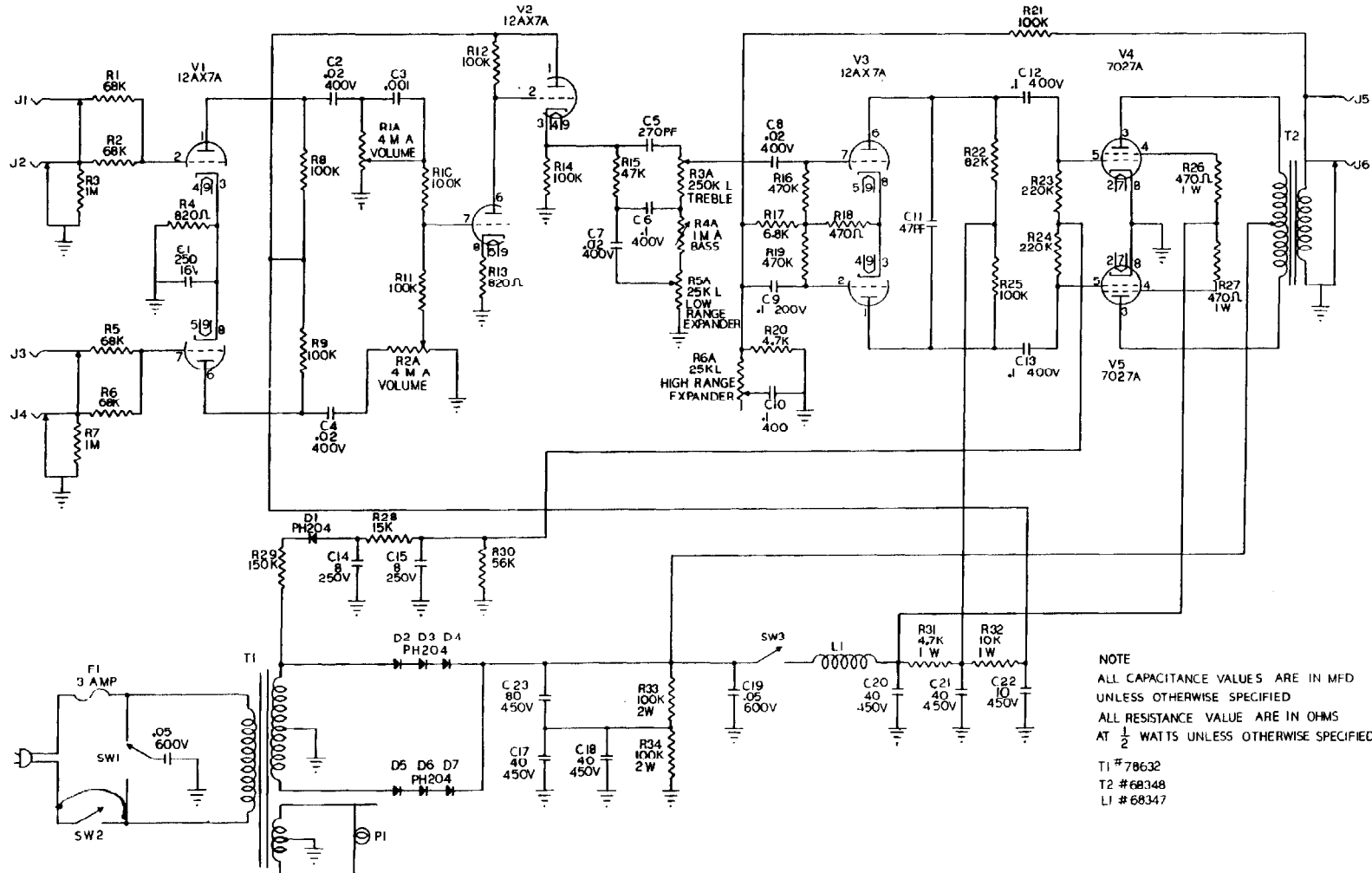
DESIGNED BY	P. TRAYNOR	ALL COMPONENTS TO BE SPECIFIED BY THIS DRAWING UNLESS OTHERWISE NOTED.
MODEL NO.	YBA-1	ALL DIMENSIONS ARE IN INCHES UNLESS OTHERWISE NOTED.
DATE OF	5/5/68	ALL VALUES REFERRED TO THIS DRAWING ARE BASED ON THE LATEST REVISIONS UNLESS OTHERWISE SPECIFIED BY THIS DRAWING.
APPROVED BY		

11/6/71

LAST RESISTOR - R34 LAST CAPACITOR - C21

YBA-1 BASS MASTER

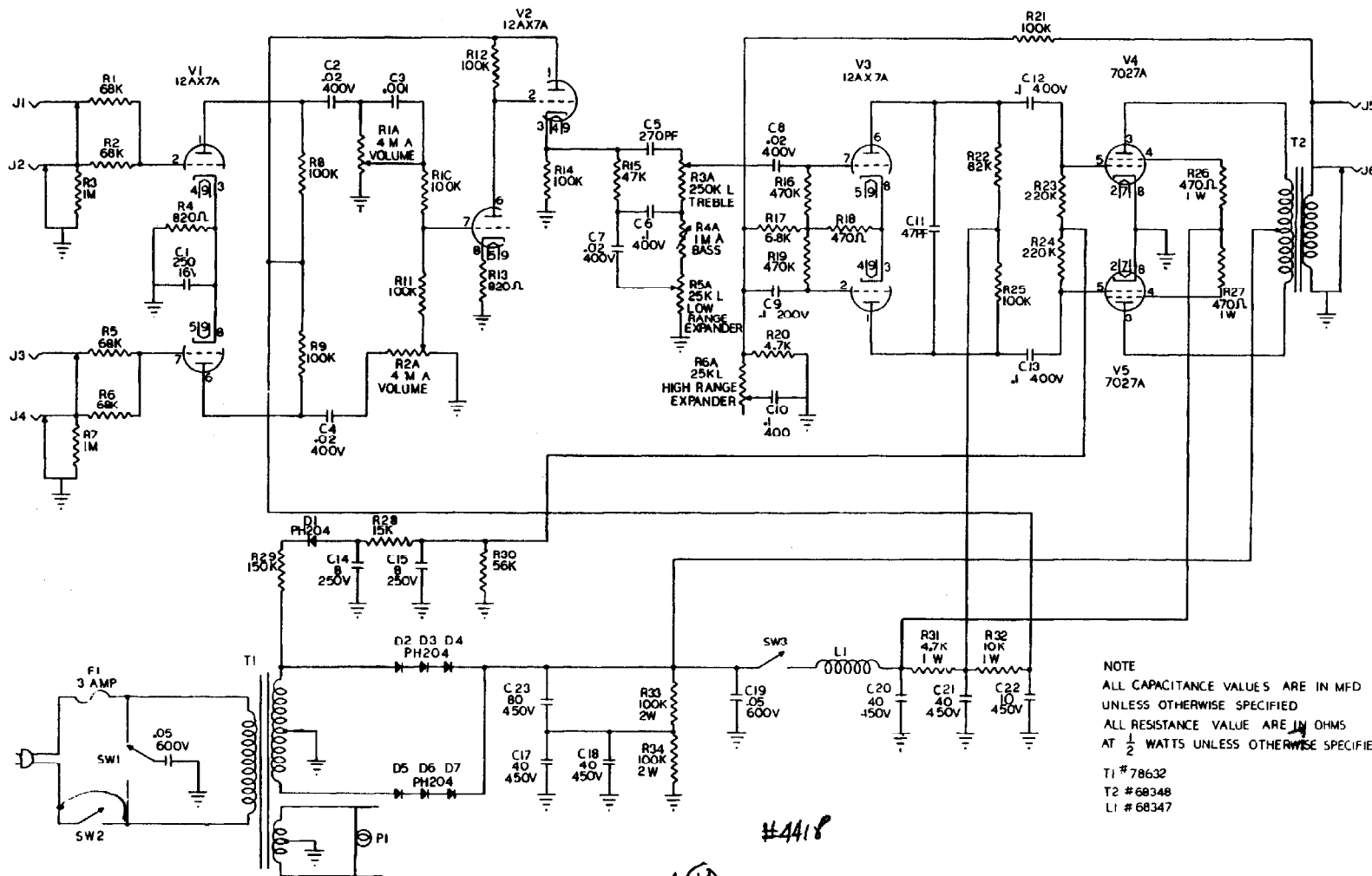
Traynor



YORKVILLE SOUND LTD	
BASS MASTER	YBA-1
OCT 21 1966	
DESIGN BY	DRAWN BY
PETE TRAYNOR	GRANT LAUGHLIN

YBA-1 (1966 VERSION)

Traynor

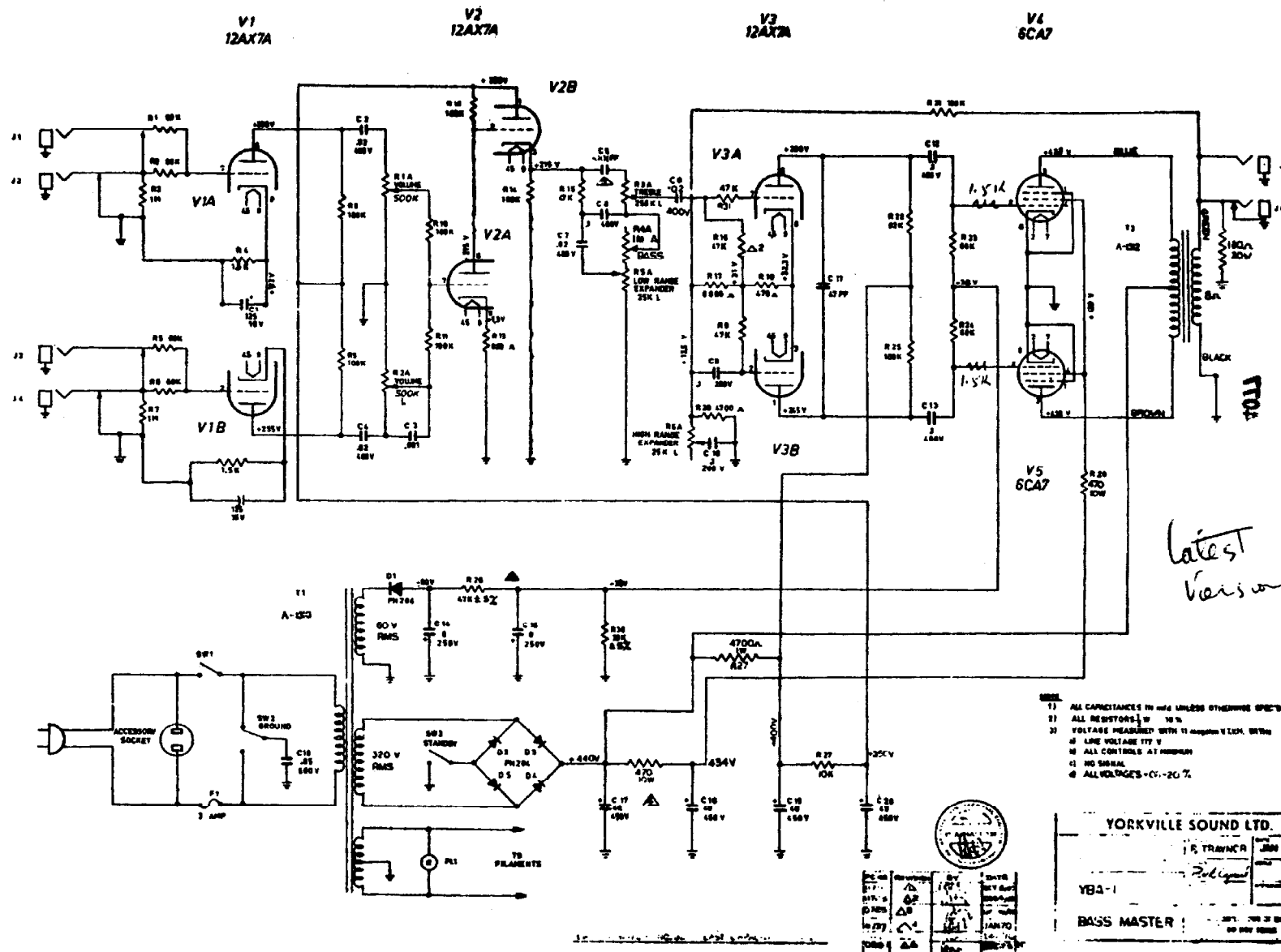


#4418
 T1 81384(H)
 T2 84386 68348
 L1 68347

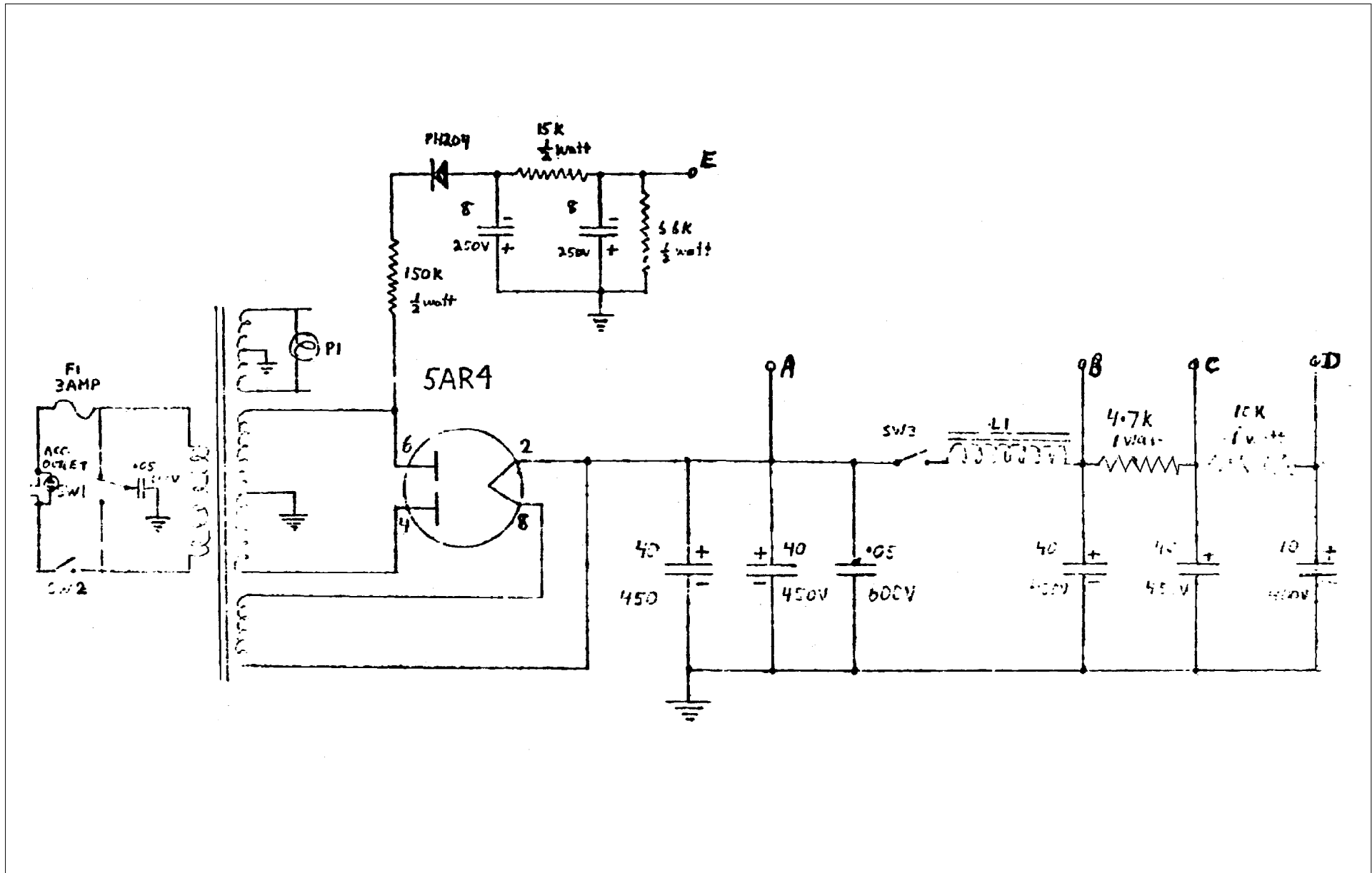
YORKVILLE SOUND LTD	
BASS MASTER	YBA-1
OCT 21 1966	
DESIGN BY	DRAWN BY
PETE TRAYNOR	GRANT LAUGHLIN

YBA-1 (LATEST VERSION)

Traynor

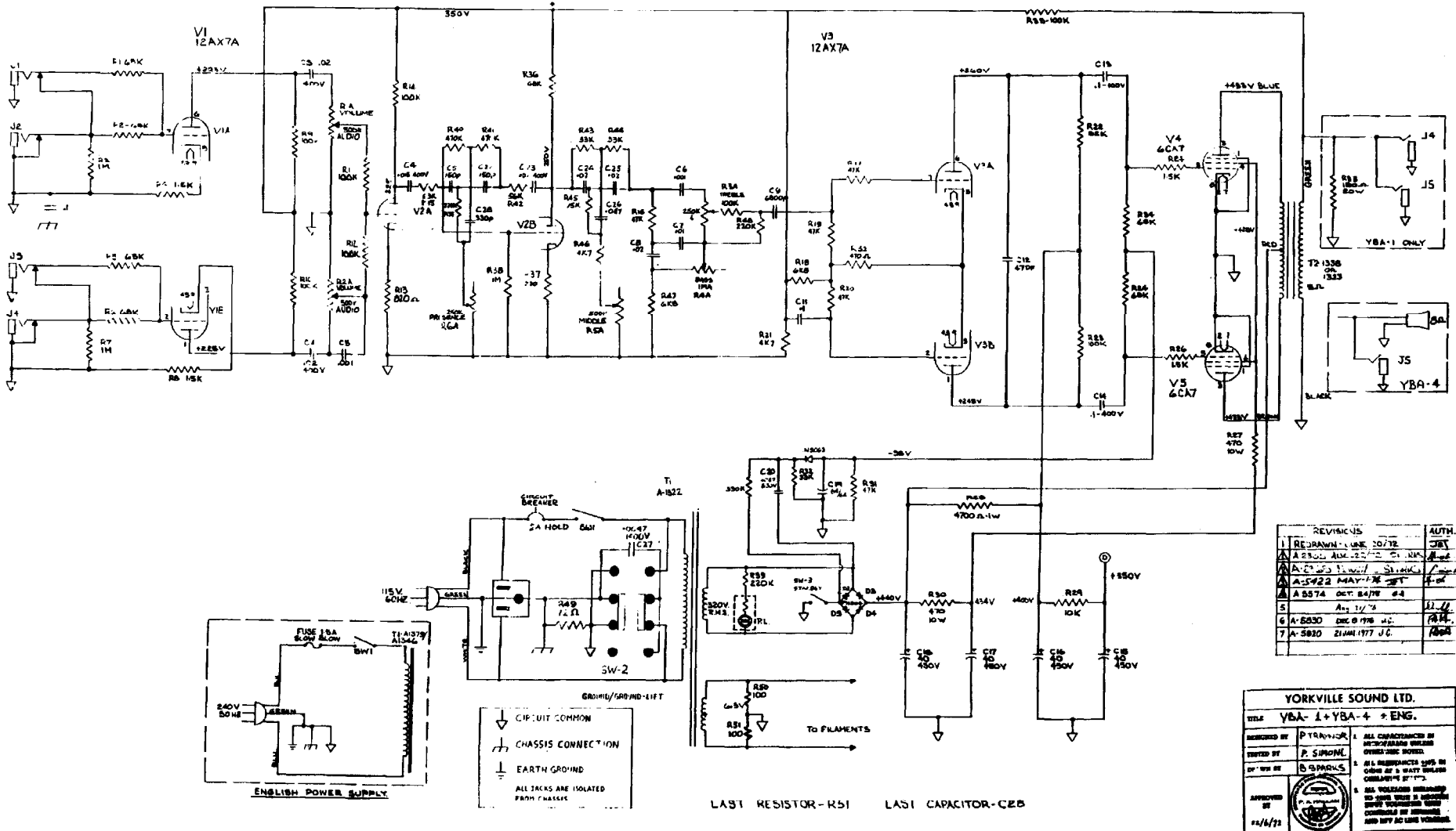


YORKVILLE SOUND LTD.
 J. S. TRAYNOR
 YBA-1
 BASS MASTER



YBA-1 & YBA-4

Traynor



REVISIONS		AUTH.
1	REDRAWN - USE 2072	JRT
2	A-5803 AUG 27 1972	JRT
3	A-5803 REVISION	JRT
4	A-5822 MAY 1972	JRT
5	A-5874 OCT 24 1972	JRT
6	A-5830 DEC 9 1972	JRT
7	A-5830 21 JAN 1973	JRT

YORKVILLE SOUND LTD.

TITLE: **YBA-1 + YBA-4 + ENG.**

DESIGNED BY: **P. TRAYNOR**

EDITED BY: **P. SIMON**

DR. 'WH' BY: **B. SPARKS**

APPROVED BY: **[Signature]**

DATE: **11/6/72**

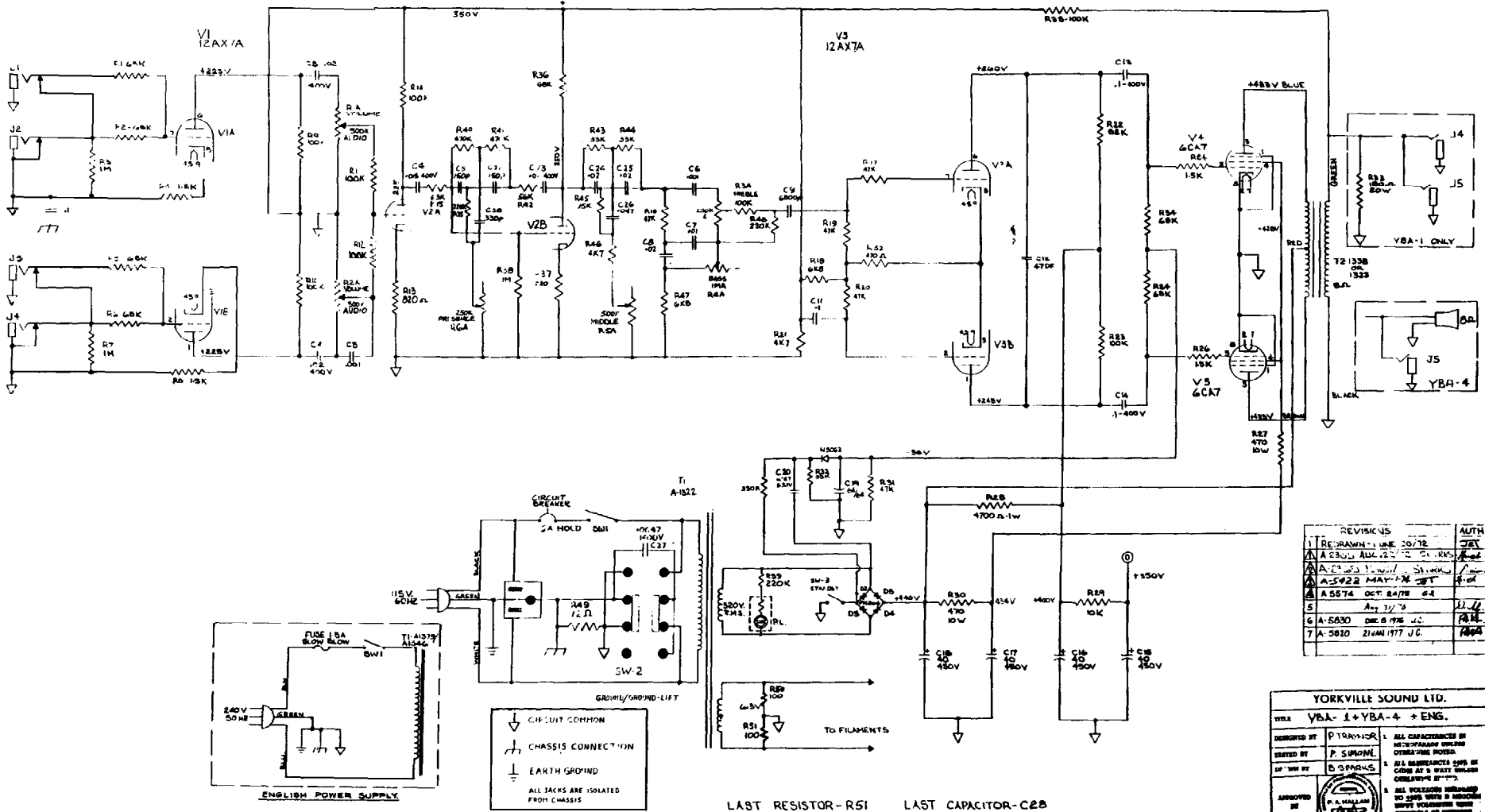
1. ALL CAPACITANCES IN MICROFARADS UNLESS OTHERWISE NOTED.

2. ALL RESISTANCES OHMS, IN OHMS OR K WATT UNLESS OTHERWISE NOTED.

3. ALL HOLDING CAPACITORS TO BE USED WITH A MINIMUM 500V VOLTAGE RATING AND 50% OVERVOLTAGE RATING.

YBA-1, YBA-4 & ENG

Traynor



REVISIONS		AUTH.
1	RE-DRAWN - LINE 20/72	JW
2	A-2300 JUL 25/72	JW
3	A-5422 MAY 14/72	JW
4	A-5474 OCT 24/72	gd
5	Aug 31/73	JW
6	A-5830 DEC 8 1973 J.C.	P.M.
7	A-5810 21 JAN 1977 J.C.	JW

YORKVILLE SOUND LTD.	
TITLE: YBA-1 + YBA-4 + ENG.	
DESIGNED BY: P. SYMONS	1. ALL CHARACTERISTICS IN INTERMEDIATE SCHEMATIC DIFFER FROM PRODS.
EDITED BY: D. SPINKS	
10% W/D BY: D. SPINKS	
APPROVED BY: P. HALLAM	2. ALL VOLTAGES INDICATED TO GND UNLESS OTHERWISE NOTED. VOLTAGES FROM COMMON OR SHIELD AND NOT AC LINE VOLTAGE.
12/6/73	