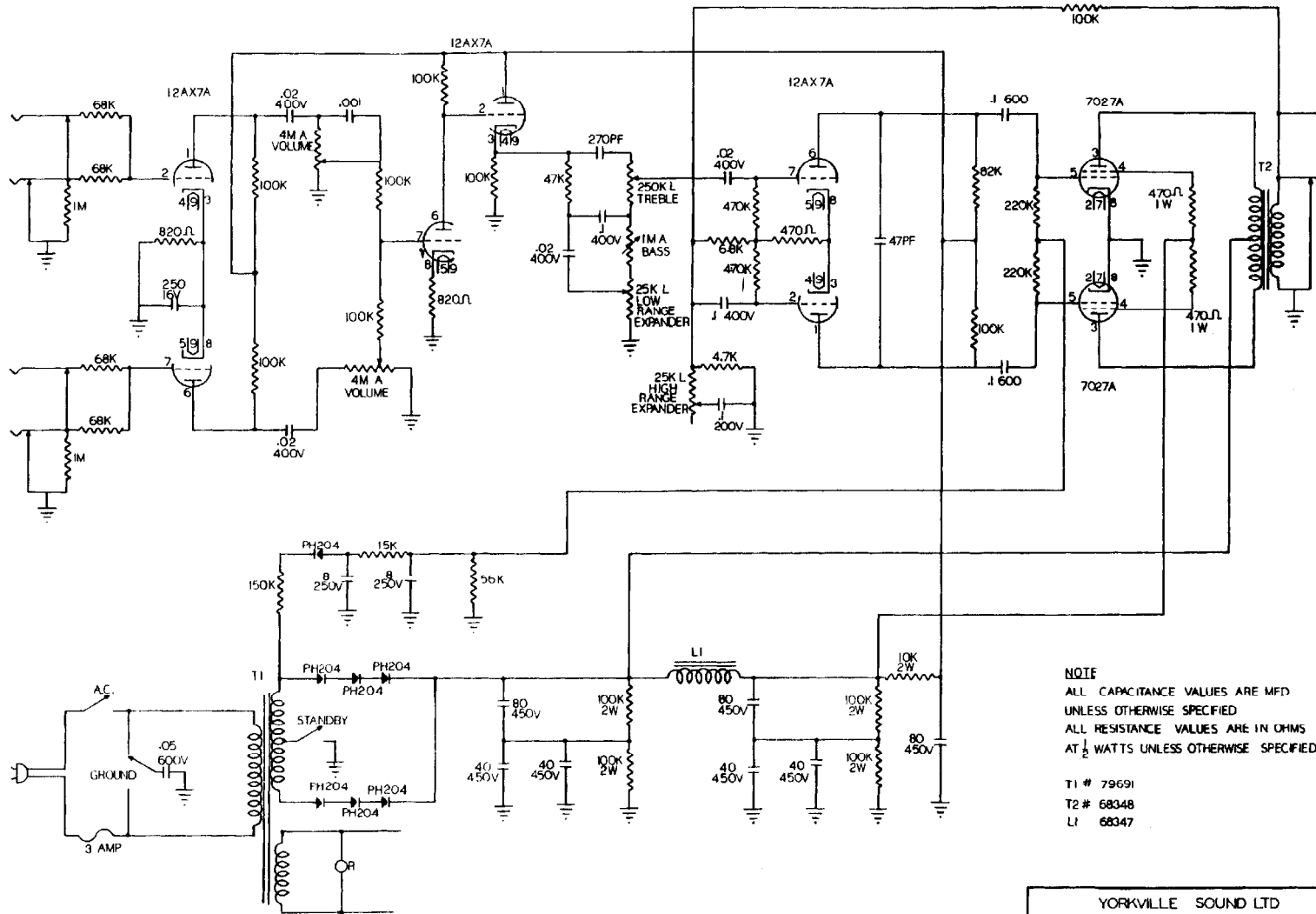


# YBA-1A BASS MASTER MK II

# Traynor



NOTE  
 ALL CAPACITANCE VALUES ARE MFD  
 UNLESS OTHERWISE SPECIFIED  
 ALL RESISTANCE VALUES ARE IN OHMS  
 AT 1/2 WATTS UNLESS OTHERWISE SPECIFIED

T1 # 79691  
 T2 # 68348  
 L1 68347

YORKVILLE SOUND LTD		
BASS MASTER MARK II YBA-1A		
JAN 26 1968		
DESIGN BY	DESIGN ENGINEER	DRAWN BY
PETE TRAYNOR	DIRK VANDER SLEEN	LAUBHLEN

# YBA-1A & ENG BASS MASTER MK II

# Traynor

