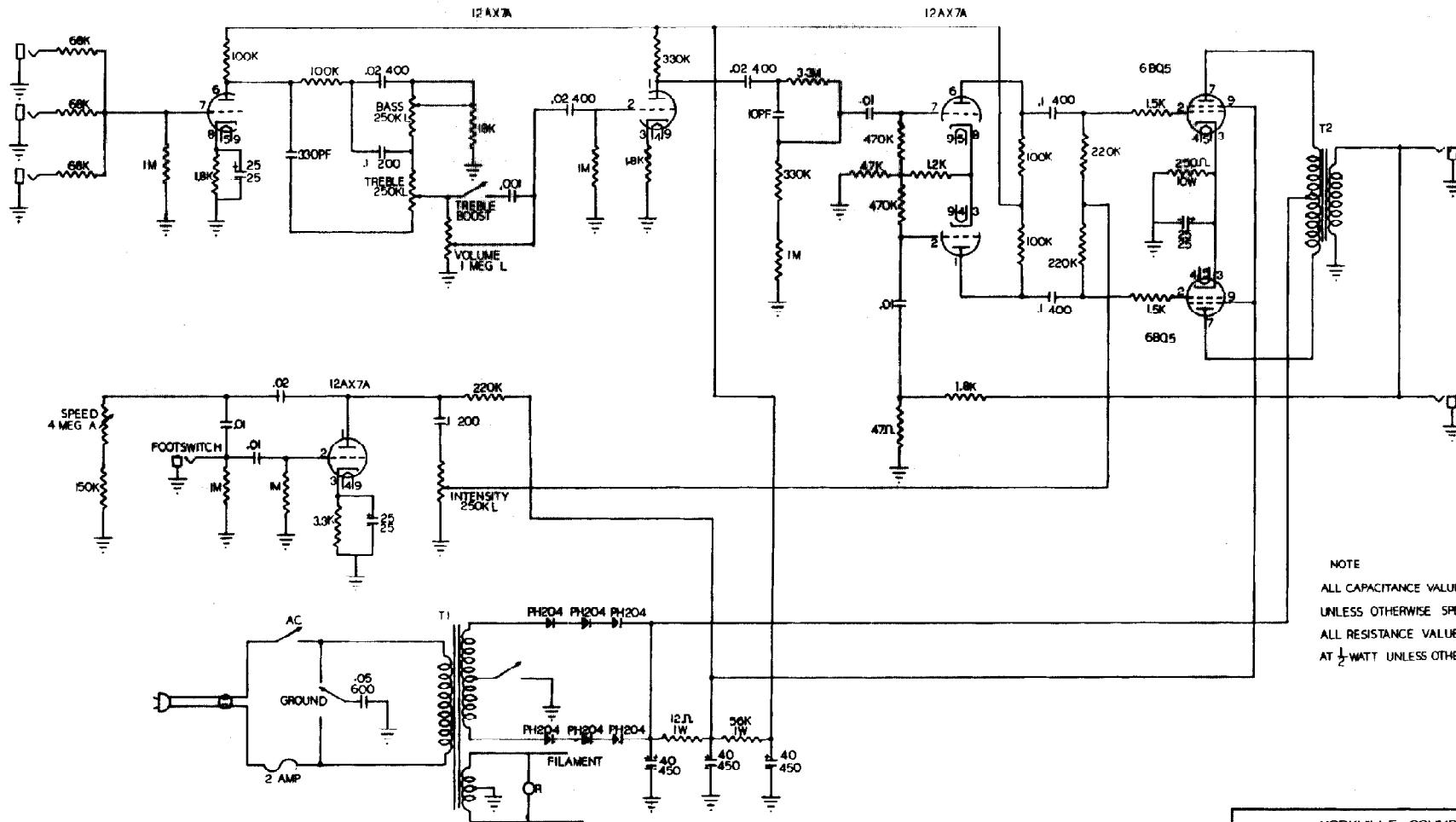


# YGM-2 GUITAR MATE

# Traynor



NOTE  
 ALL CAPACITANCE VALUES ARE IN MFD  
 UNLESS OTHERWISE SPECIFIED  
 ALL RESISTANCE VALUES ARE IN OHMS  
 AT 1/2 WATT UNLESS OTHERWISE SPECIFIED

YORKVILLE SOUND LTD		
GUITAR MATE YGM-2		
NOV 28 1966		
DESIGN BY	DESIGN ENGINEER	DRAWN BY
PETE TRAYNOR	DIRK VAN DER SLEEN	GRANT LAUBLEN