

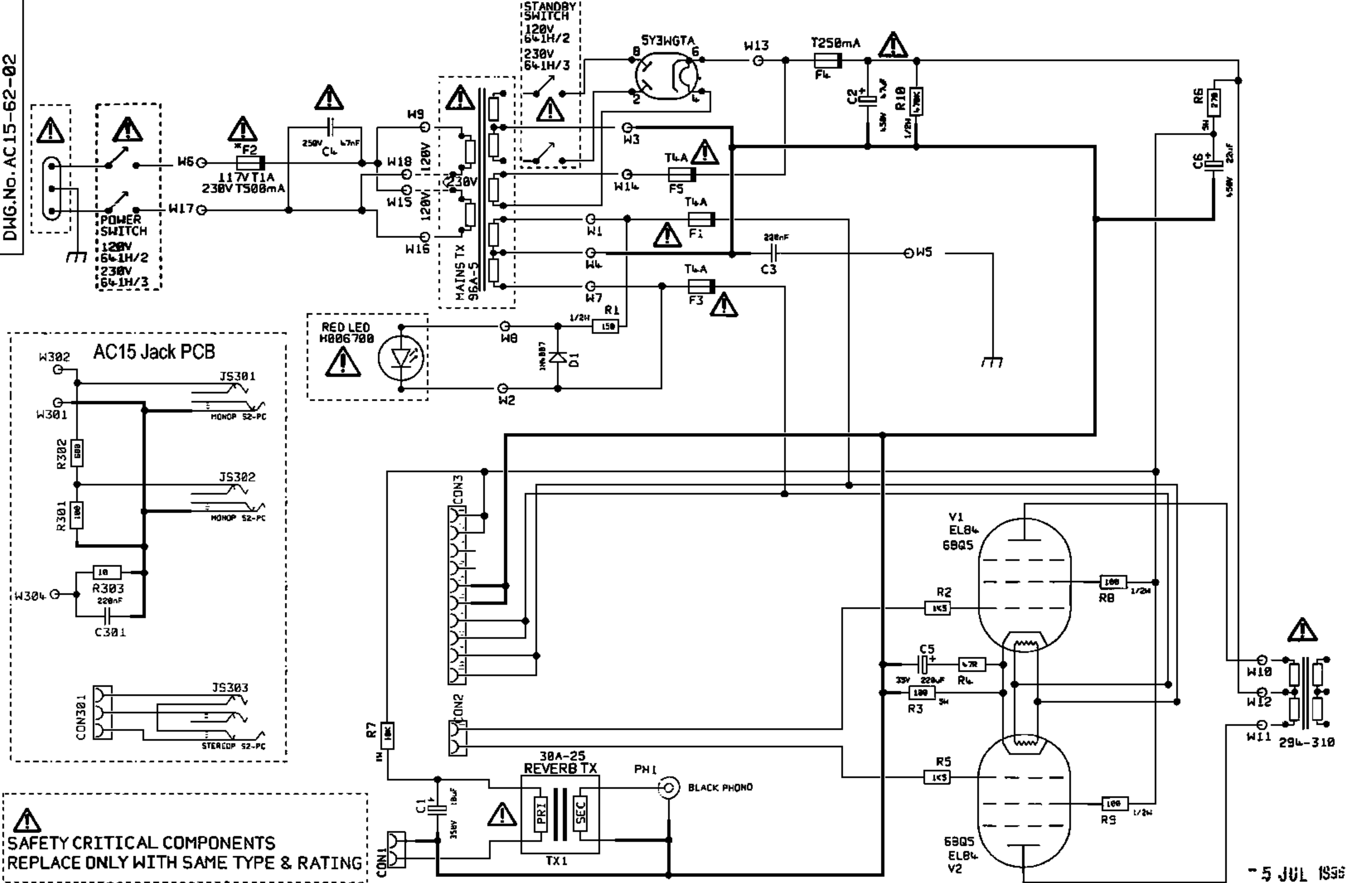
- 5 JUL 1966

ISS	ECONUMBER	DATE	ALL OTHER HOLES =			X = (THROUGH PLATED)		
			A	E	J	N		
			B	F	K	P		
			C	G	L	Q		
			D	H	M	R		

**VOX**

AC15

TITLE	AC15 PREAMP
DWG.No	AC15-60-02
ISS	1



**SAFETY CRITICAL COMPONENTS  
REPLACE ONLY WITH SAME TYPE & RATING**

5 JUL 1996

ECO NUMBER	DATE	ALL OTHER HOLES =	X = (THROUGH PLATED)	SG	12-2-96	AC15
		A	E	J	N	
		B	F	K	P	
		C	G	L	Q	
		D	H	M	R	



TITLE	VOX AC15 PSU
DWG. No	AC15-62-02
REV	1