

SERVICE MANUAL VOX AC15HTVH



TABLE OF CONTENTS

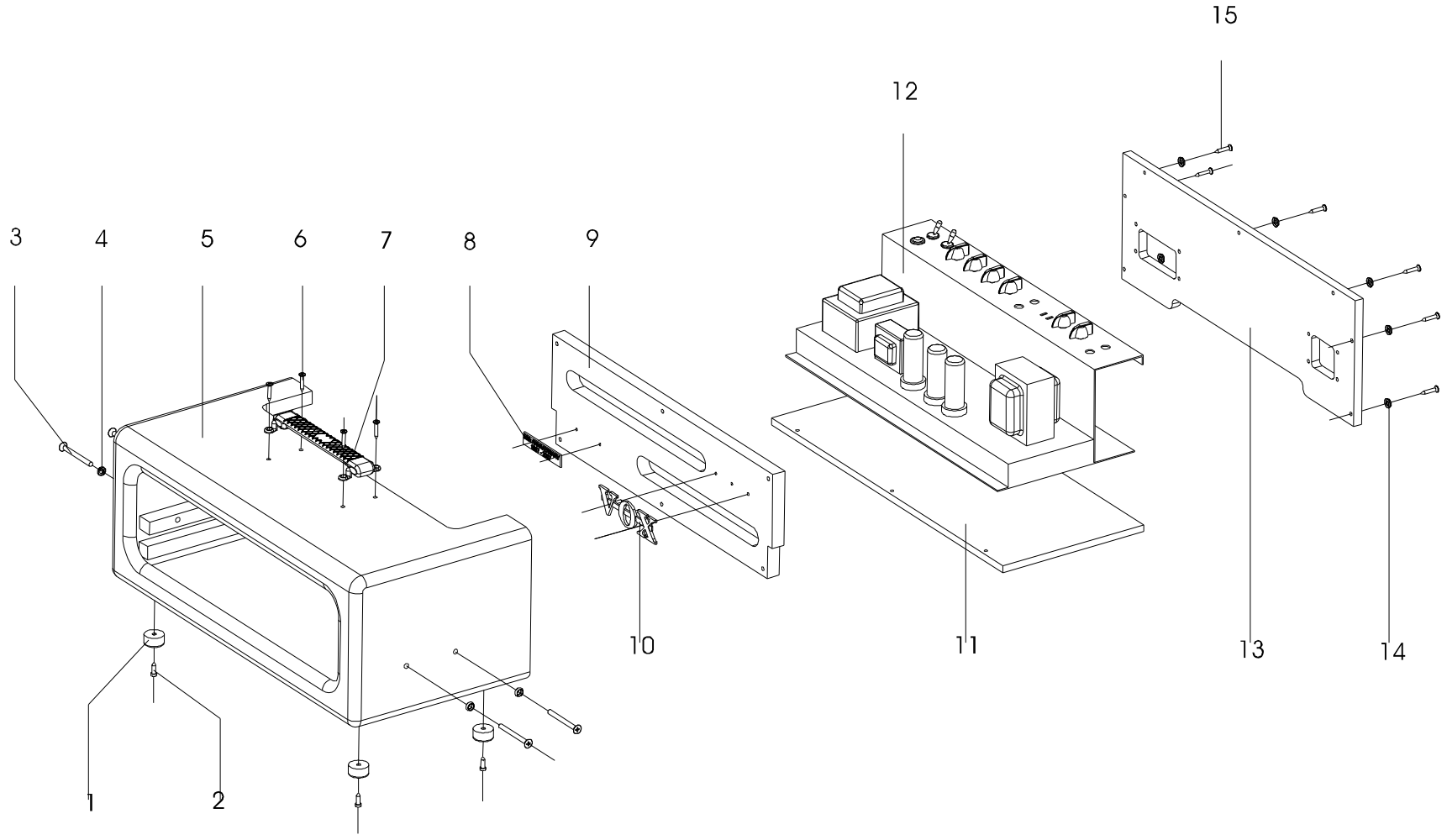
ASSEMBLY SKETCH : 2
ASSEMBLY PARTS LIST: 3
SCHEMATIC DIAGRAM: 4
WIRE CONNECTION: 5
COMPONENT LOCATION: 6-8
PARTS LIST: 9-10



Issued: Oct.4, 2007
Ver.1

AC15HTVH

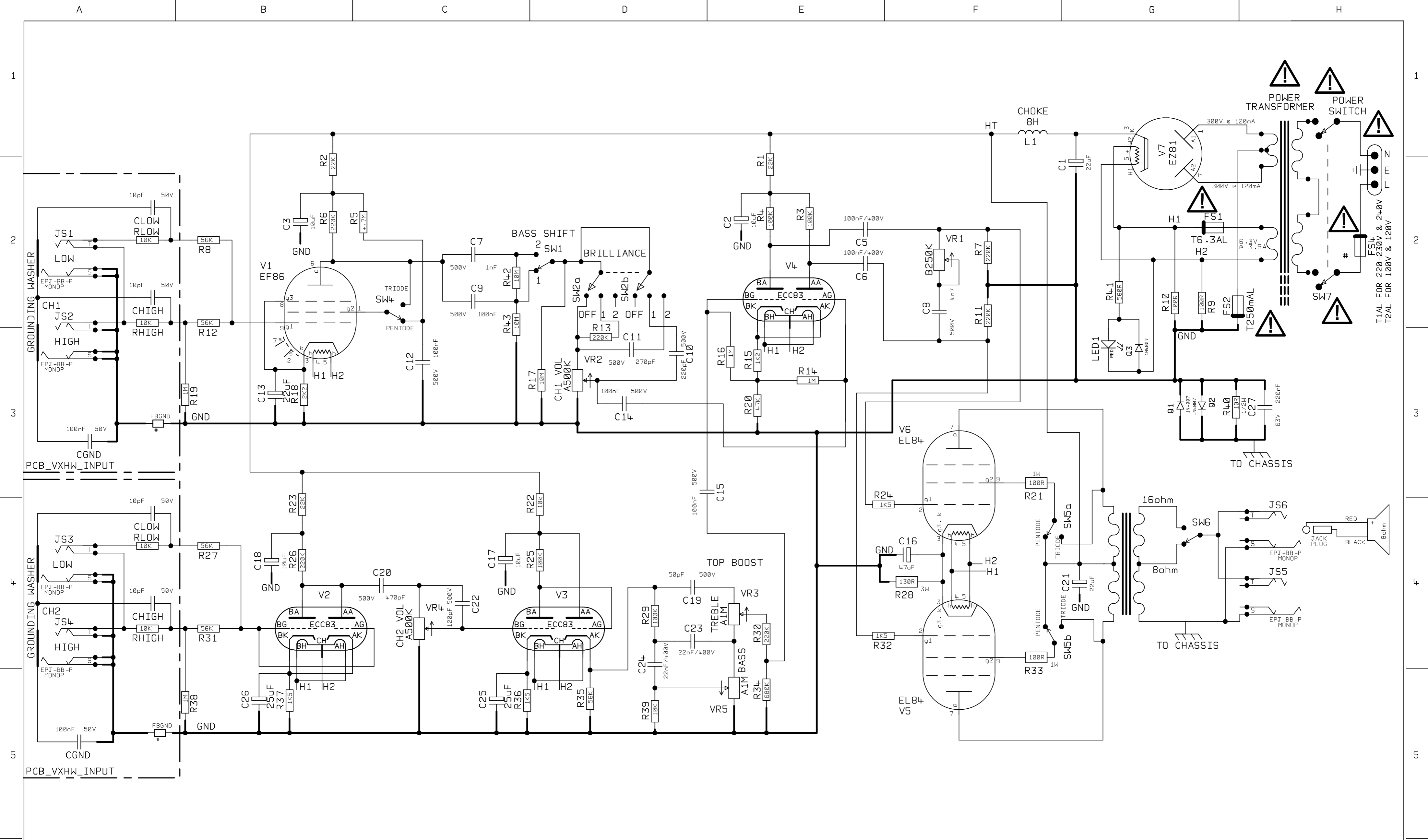
2



★ **ASSEMBLY SKETCH**

ASSEMBLY PARTS LIST AC15HTVH

R/N	Part Code	Part Name	Description	QTY
1	530000000916	RUBBER FEET		4
2	-	WOOD SCREW	M4*20PA Round Head	4
3	-	SCREW	M6*60 head-sinking Brass	4
4	-	M6 CUP WASHER		4
5	530000000957	CABINET	Cream vinyl black sprayed inside	1
6	-	SCREW	M4*24 Silver, half sinking head	4
7	-	VOX HANDLE	Brown PVC&Al-alloy	1
8	530000000915	VOX Blonzing badge	Black ABS Text bronzing	1
9	530000000958	FRONT BAFFLE	Black spray brown diamond cloth	1
10	530000000057	GOLDEN LOGO	golden "VOX"	1
11	530000000920	AMP SHELF	All sprayd black	1
12	See Parts List	AC15HTVHAMPLIFIE	INPUT VOLTAGE 230V	1
13	530000000959	BACKBOARD	Cream vinyl black sprayed inside	1
14	-	M4 CUP WASHER		15
15	-	WOOD SCREW	M4:28, Brass	15



SAFETY CRITICAL COMPONENT
 REPLACE ONLY WITH SAME
 TYPE & RATING
 IF IN DOUBT CONTACT SUPPLIER

3	13/04/07	ADD SAFETY NOTES	DC
2	05/02/07	CHANGE R8, R12, R27, R31 TO 56K CHANGE R34 TO 680K ADD EMS EN55020 COMPLIANT INPUT JACK PCB	DC
1a	23/01/07	CHANGE R5 TO 4.7M UPDATE MODEL NUMBER	DC
ISS	DATE	CHANGE	SIGNED

VOX R&D UK

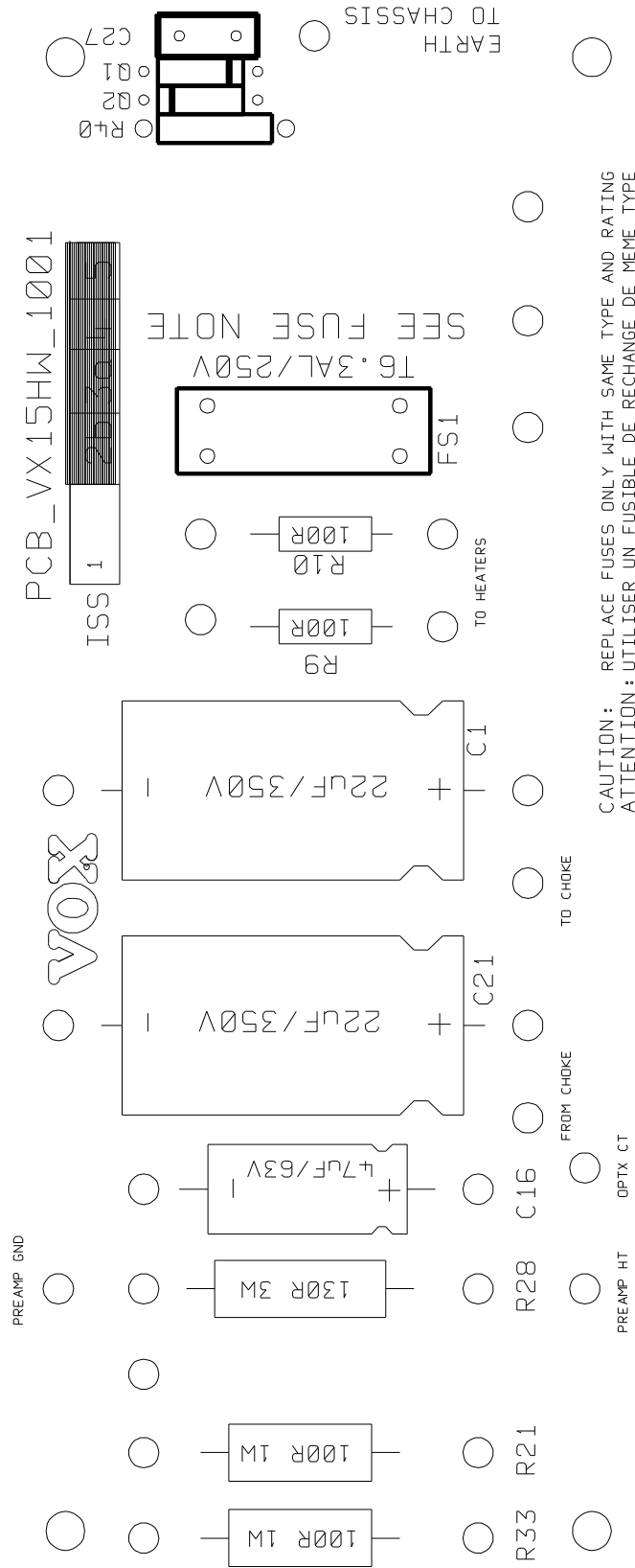
64 ALSTON DRIVE, BRADWELL ABBEY, MILTON KEYNES, MK13 9HB, ENGLAND. +44 (0) 1908 313511

MODEL	AC15H1TV	TITLE	AC15 HAND WIRED SCHEMATICS
ISSUE	ISS3	DRAWN	DC 05/02/07
CHECKED		DWG.No	
APPROVED		AC15_HW_ISS3.DGM	

★ PCB COMPONENTS LOCATON DRAWING

AC15HTVH

LAYER 7 (SILK SCREEN ARTWORK)
ISSUE - 1

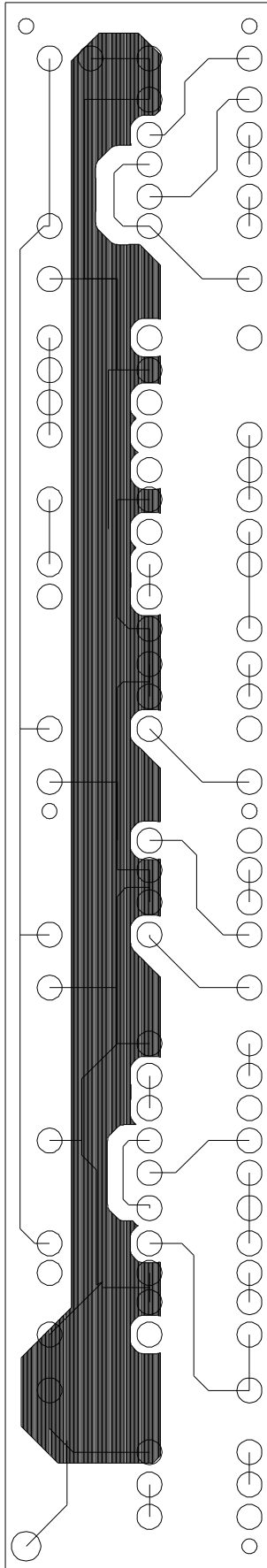


CAUTION: REPLACE FUSES ONLY WITH SAME TYPE AND RATING
ATTENTION: UTILISER UN FUSIBLE DE RECHANGE DE MEME TYPE

★ PCB COMPONENTS LOCATON DRAWING

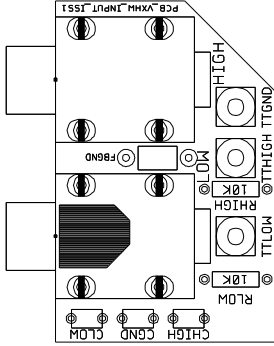
AC15HTVH

ISSUE - S
LAYER 1 (SOLDER SIDE) MARK



★ PCB COMPONENTS LOCATON DRAWING

AC15HTVH



MATERIAL – FR4 1.6MM THICK

LAYER 2 (SOLDER MASK) ARTWORK
ISSUE - I221

LAYER 7 (SILK SCREEN ARTWORK)
ISSUE - ISS1

Part Number	Part Name	Reference	QTY
530000000931	AC15HW PREAMP POP PCB		(1)
530000000932	INPUT POP PCB		(2)
530000000112	PHONE SOCKET LS-2031-4	LOW HIGH	4
530000000933	FERRITE BEAD TB35-707934	FBGND	2
530000000680	FUSE WIRE T6.3A/250V		1
530000000114	FUSE BASE	FS1	2
530000000119	DIODE IN4007	Q1,2	3
530000000091	MOVE SWITCH MS350 W1221S0022		1
530000000934	CREAM KNOB FOR HERITAGE		6
530000000705	EVA SPONGE 15.0W*2.0T		1
530000000935	FRONT PANEL AC15H1TV		1
530000000936	VALVE BASE		1
530000000937	CHASSIS 1		1
530000000956	CHASSIS 2 AC15HTVH		1
530000000939	COVER		1
530000000940	SUPPORTING BOARD		3
530000000799	VACUUM TUBE EZ81 (JJ)	V7	1
530000000097	VALVE ECC83(12AX7)	V2,4	2
530000000098	VALVE EL84EH	V5,6	2
530000000800	VACUUMTUBE EF86EH WITH DYNAMAT	V1	1
530000000798	12AX7WC MADE RUSSIA (SOVTEK)	V3	1
530000000099	VALVE BASE GZC9F	V1-7	7
530000000941	BRACKET 1		1
530000000942	BRACKET 2		1
530000000101	VALVE CLAMP 9T-60		3
530000000943	VR A1M RV24AF-10	VR3,VR5	2
530000000944	VR B250K RV24F-10	VR1	1
530000000945	VR A500K RV24AF-10	VR2,VR4	2
530000000946	OUTPUT TRANSFORMER		1
530000000083	FUSE 50T0250H(250MA/250V)		1
530000000947	SW SR2511F-0203-15KOA-C9-N	SW2	1
530000000948	SW SS-12F13-G5B	SW1,4	2
530000000642	SW 6021-K1C1T2(100/230/240V)	SW5	1
530000000949	SW CHILY 6022	SW7	1
530000000950	POWER SOCKET RF-2004-C-4.8		1
530000000112	PHONE SOCKET LS-2031-4	JS5,6	2
530000000089	FUSE BASE R3-11 5*20	FS2	1
530000000951	INDUCTOR 8H CHOKE		1
530000000957	CABINET AC15HTVH		1
530000000958	FRONT BAFFLE AC15HTVH		1
530000000920	AMP SHELF AC15H1TV		1
530000000959	BACK BOARD AC15HTVH		1
530000000057	LOGO PLATE 217-1327000001		1
530000000916	RUBBER FOOT PAI43X19.1		4
530000000705	EVA SPONGE 15.0W*2.0T		1
530000000917	VOX HANDLE ASS'Y (BROWN)		1
530000000915	VOX BRONZING BADGE		1

Part Number	Part Name	Reference	QTY
530000000960	AC15HTVH AMPLIFIER 100V	100V	(1)
530000000961	AC15HTVH AMPLIFIER 120V	120V	(1)
530000000962	AC15HTVH AMPLIFIER 230V	230V	(1)
530000000963	AC15HTVH AMPLIFIER 240V	240V	(1)
530000000611	POWER CABLE (120V US/EX)	US, EX	(1)
530000000081	POWER CABLE AC15(230V UK)	UK	(1)
530000000695	POWER CORD (AU)	AU	(1)
530000000080	POWER CABLE AC15(230V GE)	GE	(1)
530000000078	POWER CABLE AC15(100V)	JP	(1)
530000000927	POWERTRANS120V 022-1020042305R	US, EX	(1)
530000000928	POWERTRANS230V 022-1020042306R	UK, GE	(1)
530000000929	POWERTRANS240V 022-1020042307R	AU	(1)
530000000930	POWERTRANS100V 022-1020042304R	JP	(1)
530000000609	FUSE T2A/250V	US, EX, JP	(1)
530000000677	FUSE WIRE T1AL/250V	UK, GE, AU	(1)

