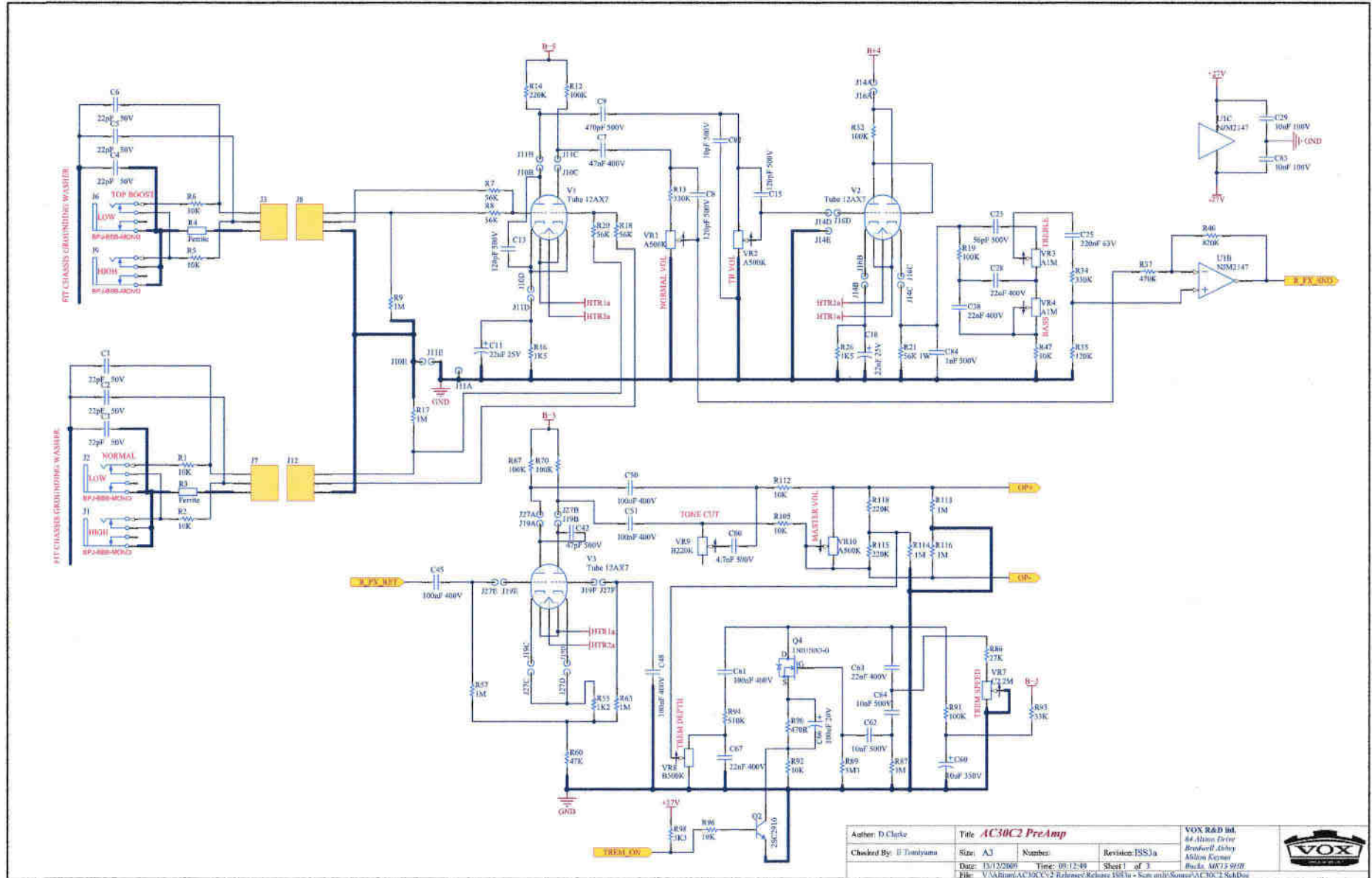
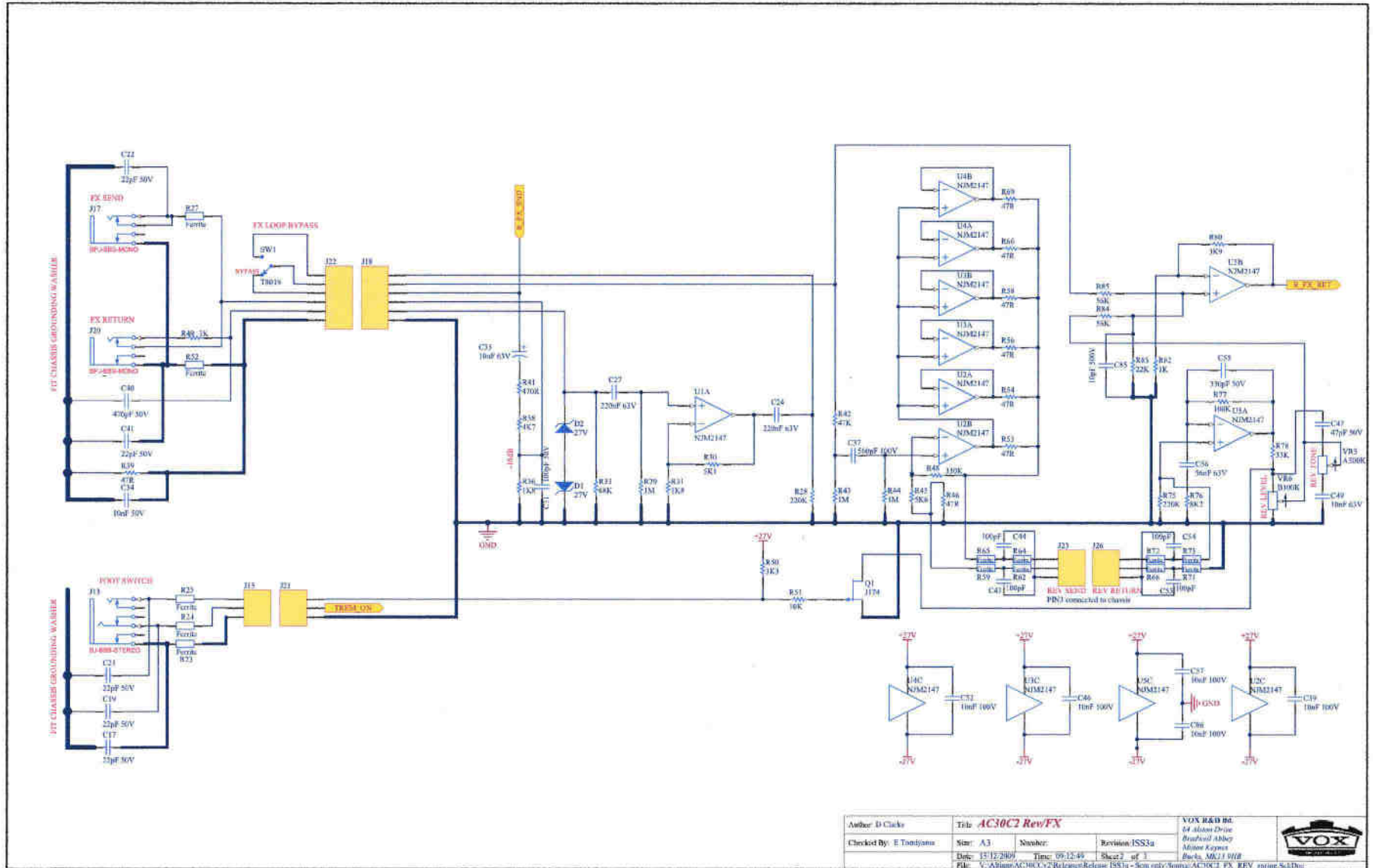


SCHEMATIC DIAGRAM

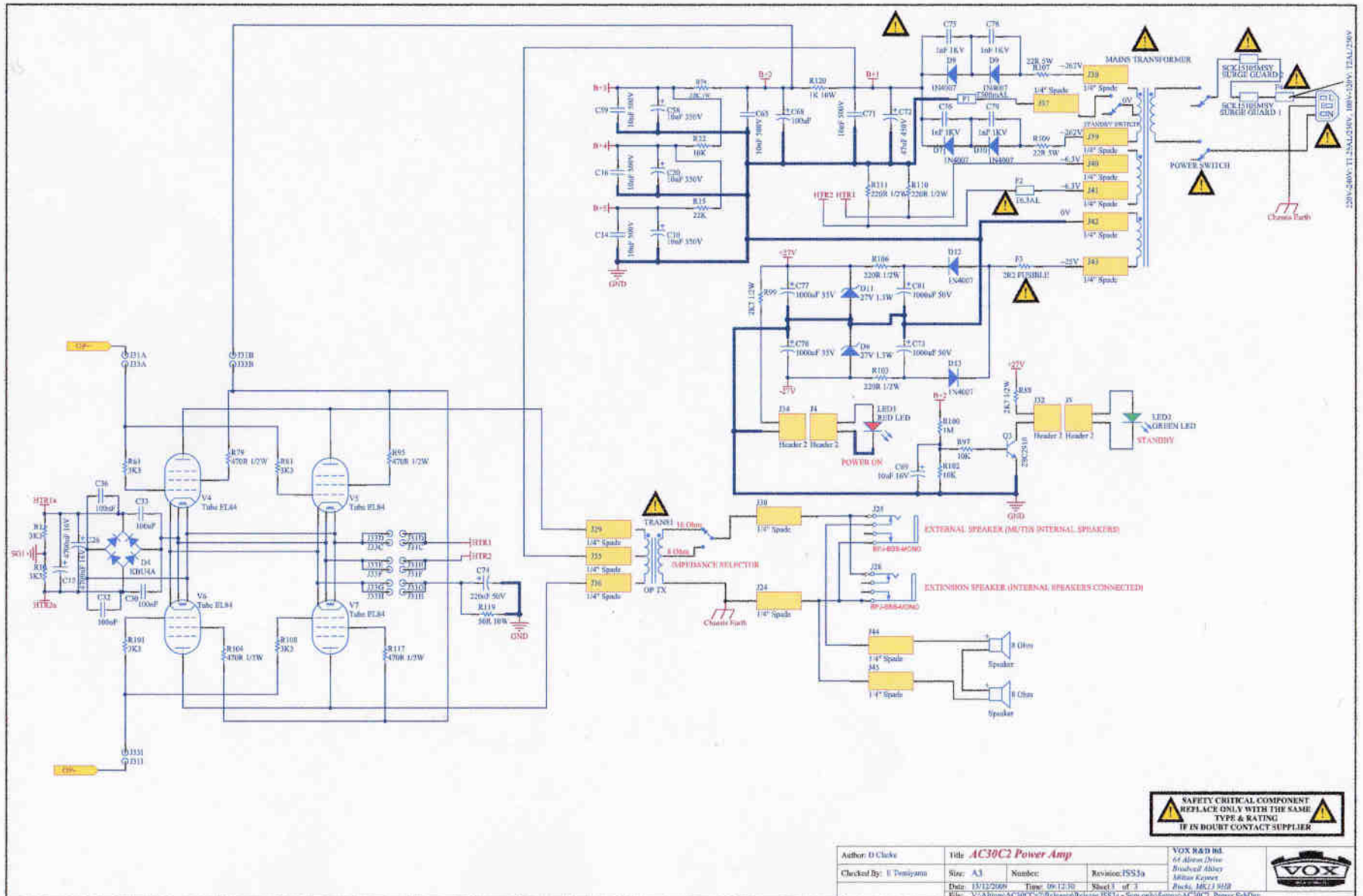


SCHEMATIC DIAGRAM



Author: D. Clark	Title: AC30C2 RevFX	VOX REGD. INT. of Britain Drive, Bradford, West Yorkshire, WF11 1JH
Checked By: E. Toonjans	Sim: A3	Revision: ISS3a
Date: 15/12/2009	Time: 09:12:44	Sheet 2 of 3
File: C:\Alarms\AC30C2\Release\Release 15531 - Sim only\30mva\AC30C2_FX_REV.msim.SchDoc		

SCHEMATIC DIAGRAM



SAFETY CRITICAL COMPONENT
 REPLACE ONLY WITH THE SAME
 TYPE & RATING
 IF IN DOUBT CONTACT SUPPLIER

Author: D Clarke	Title: AC30C2 Power Amp	VOX RAD Bd. 64 Alton Drive Buckhead Abbey Milton Keynes Bucks MK11 3JH
Checked By: I Tomiyama	Size: A3	Number: Revision: ISS3a
Date: 13/12/2009	Time: 06:12:30	Sheet 1 of 3
File: V:\Alton\AC30C2\Release\Release ISS1 - 5pin only\Schematic AC30C2 Power Sch.Doc		