

## *Service Manual*

# **AD15/30VT**

### **CONTENTS**

Circuit Diagram: Page 2-4

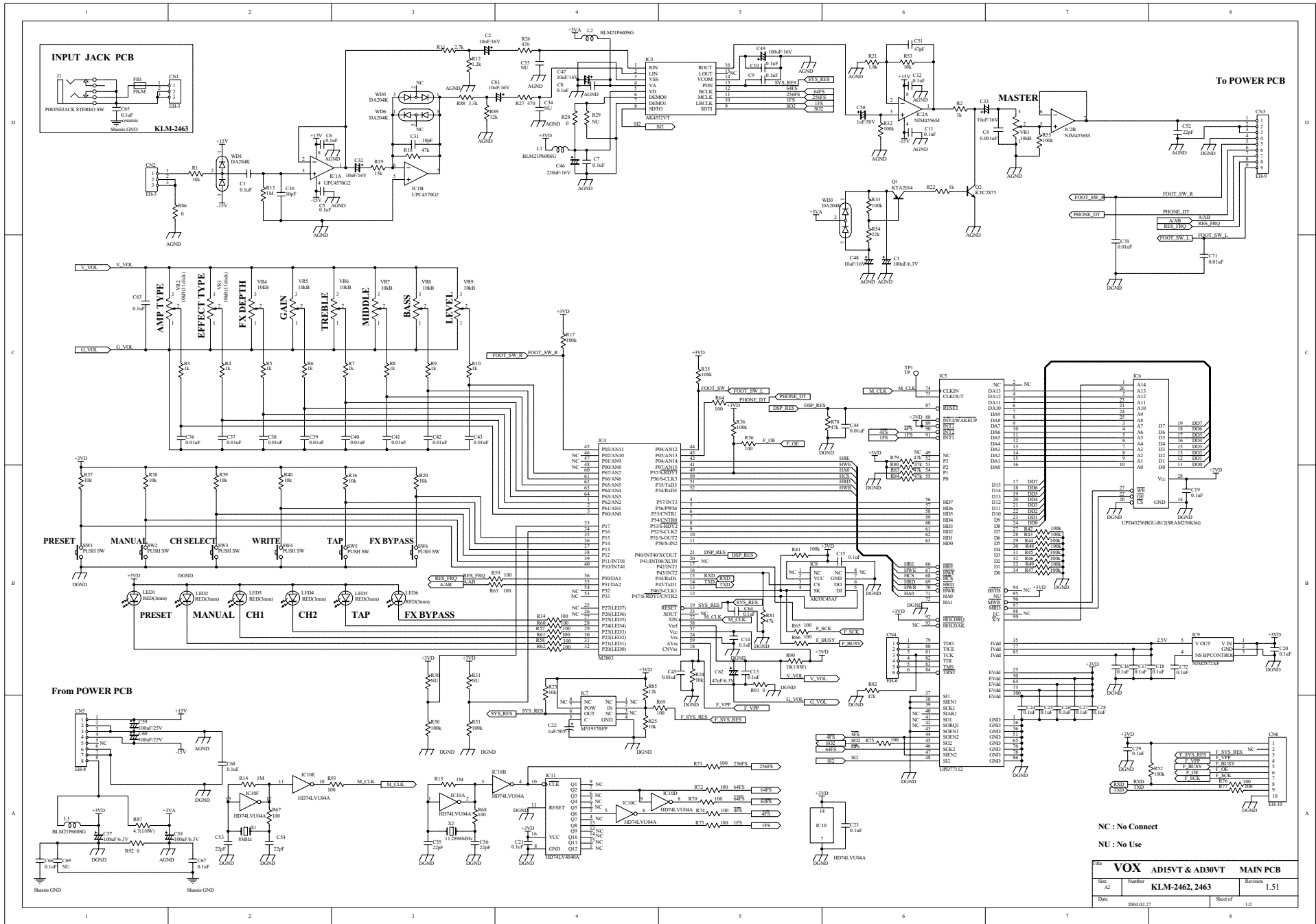
Block Diagram: Page 5-6

Parts List: Page: 7-11

2nd Edition

Issued date: December 9th 2004

Issued by: KORG INC.

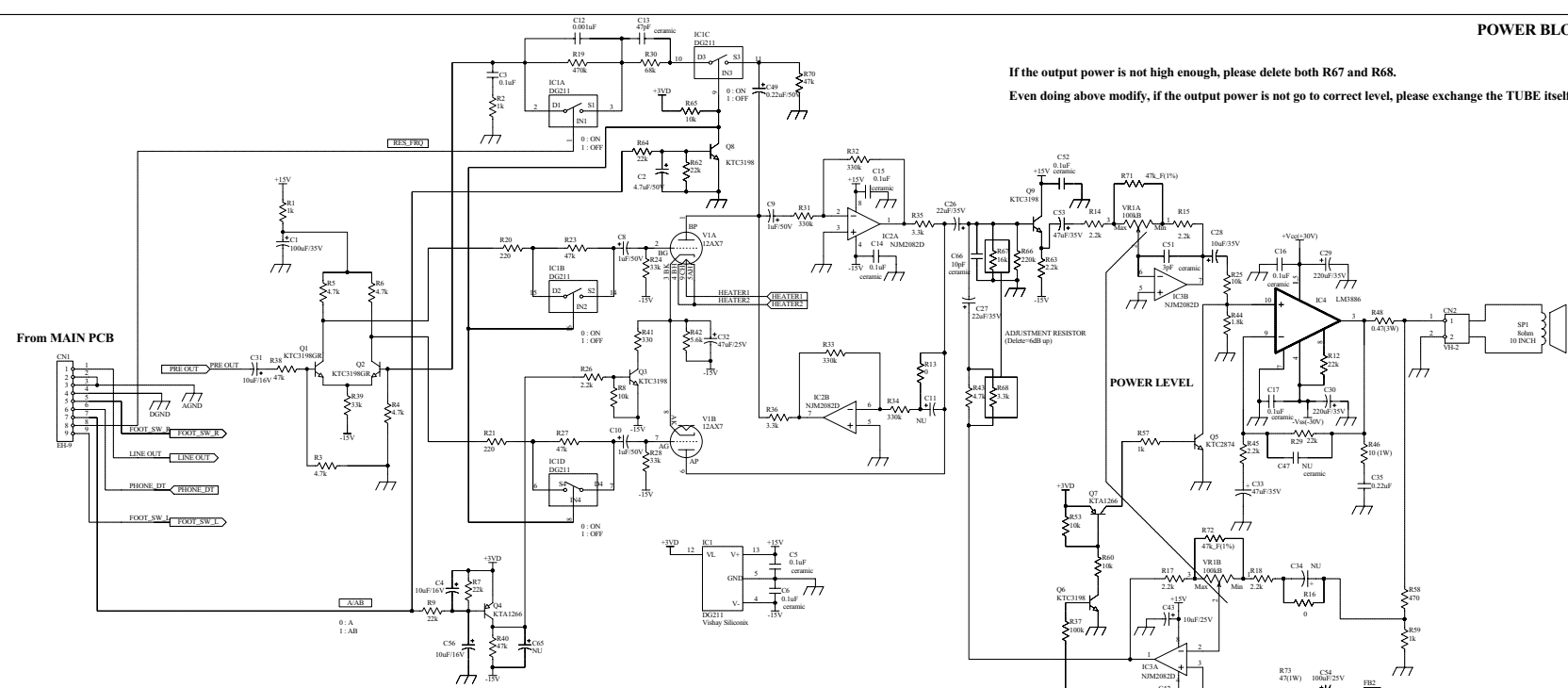


NC : No Connect  
 NU : No Use

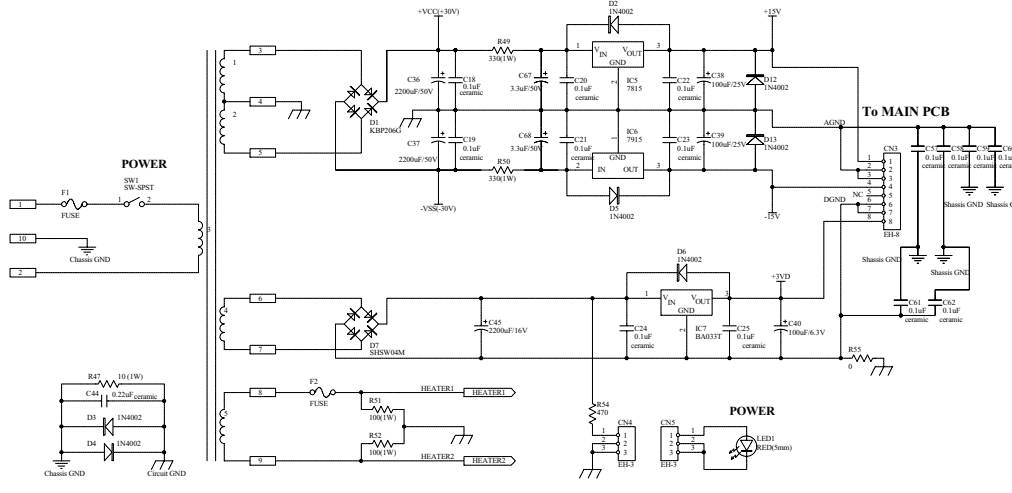
<b>VOX AD15VT &amp; AD30VT MAIN PCB</b>			
Size	Number	Revision	1.51
A2	KLM-2462, 2463		
Date	2004.02.27	Sheet of	1/2

**POWER BLOCK**

If the output power is not high enough, please delete both R67 and R68.  
 Even doing above modify, if the output power is not go to correct level, please exchange the TUBE itself.

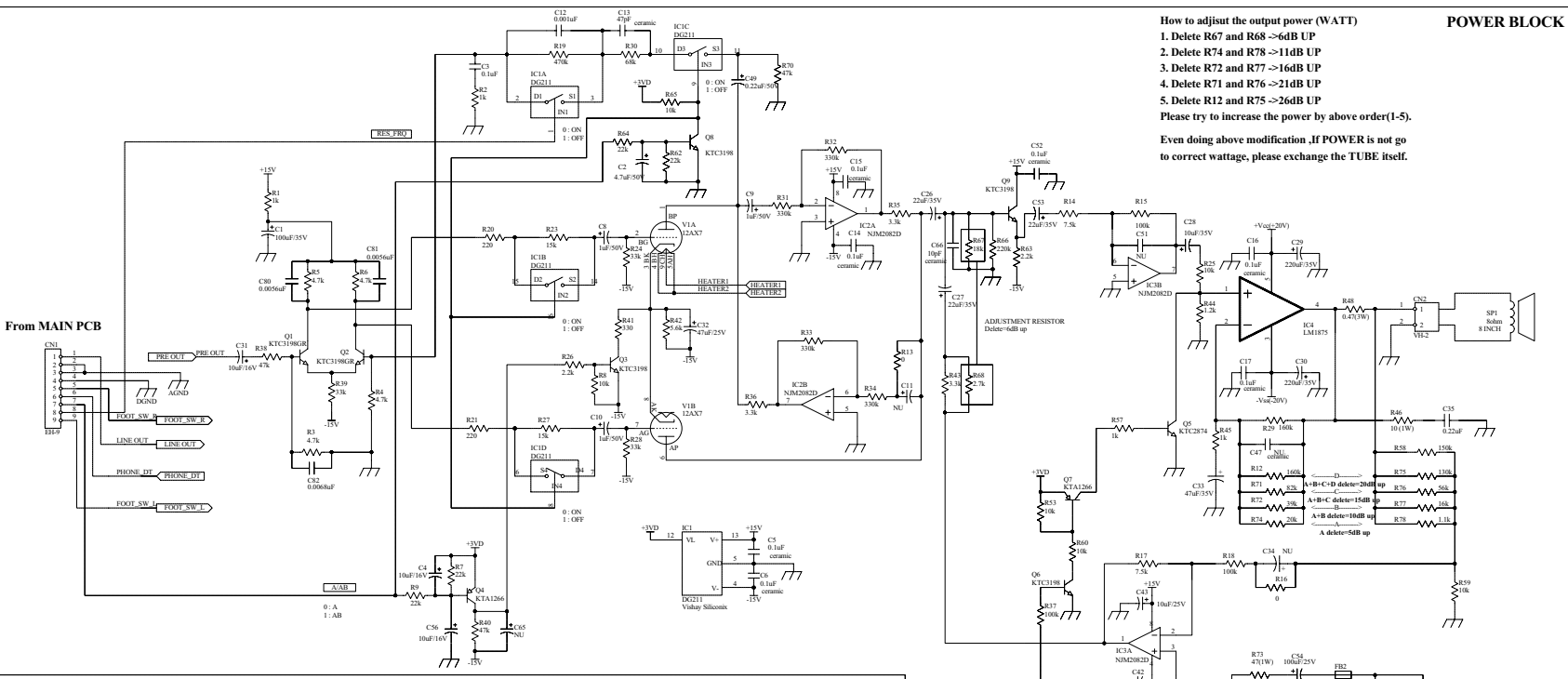


**POWER SUPPLY BLOCK**



NC : No Connect  
 NU : No Use

TITLE			
VOX AD30VT POWER PCB			
Size	Number	Revision	
A2		KLM-2464	
Date	2004.2.6	Sheet	2/2

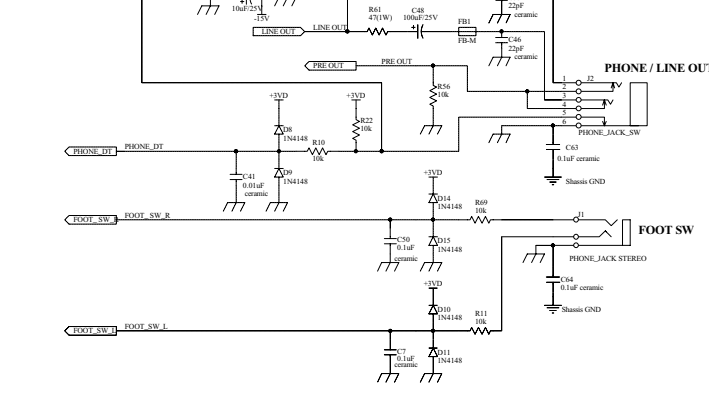
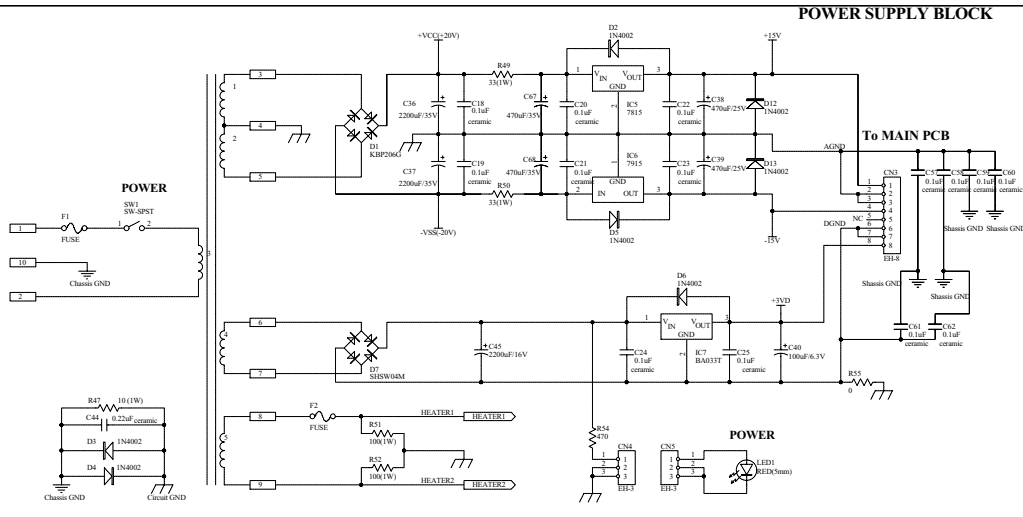


**How to adjust the output power (WATT)**

1. Delete R67 and R68 ->6dB UP
2. Delete R74 and R78 ->11dB UP
3. Delete R72 and R77 ->16dB UP
4. Delete R71 and R76 ->21dB UP
5. Delete R12 and R75 ->26dB UP

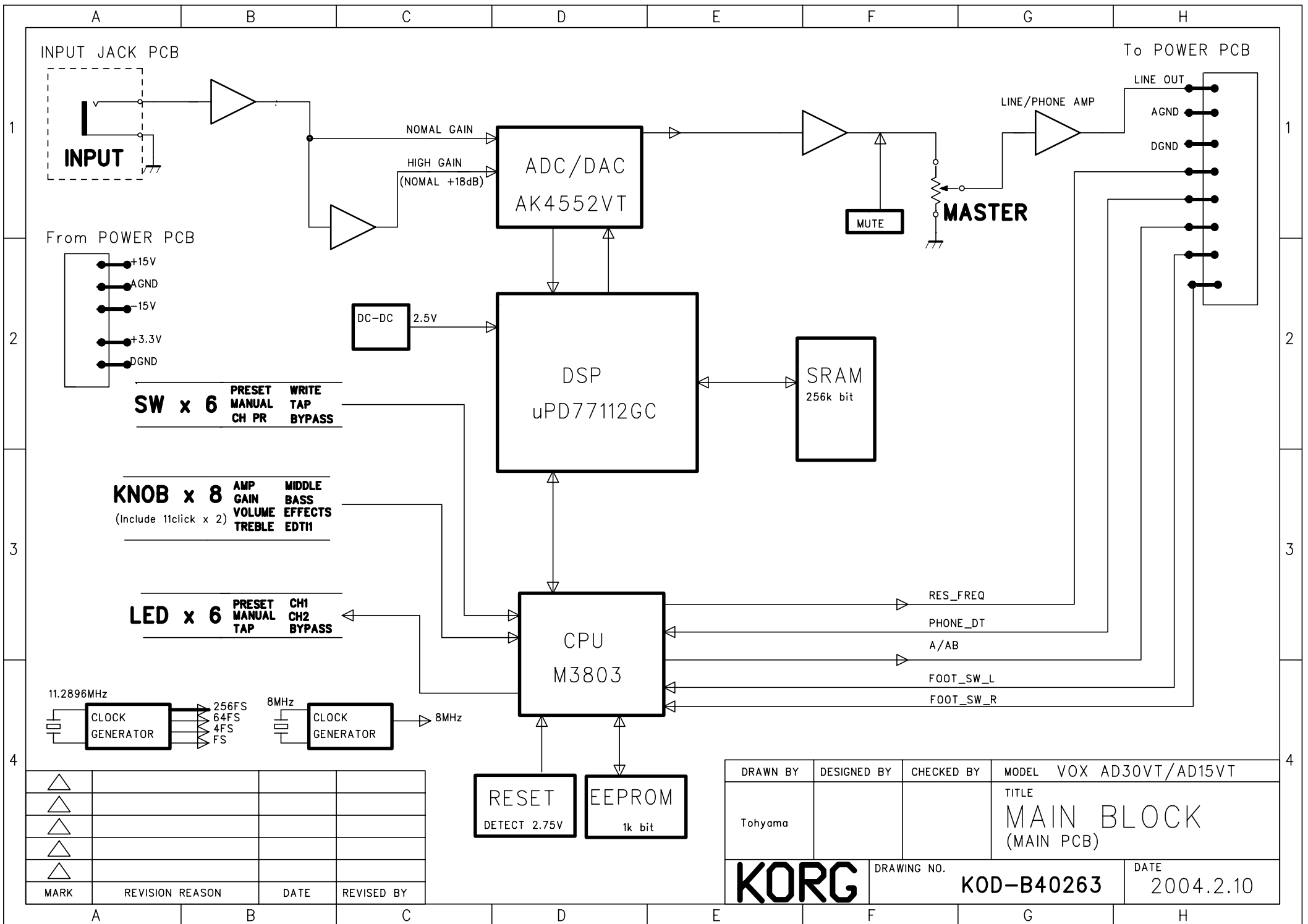
Please try to increase the power by above order(1-5).  
Even doing above modification .if POWER is not go to correct wattage, please exchange the TUBE itself.

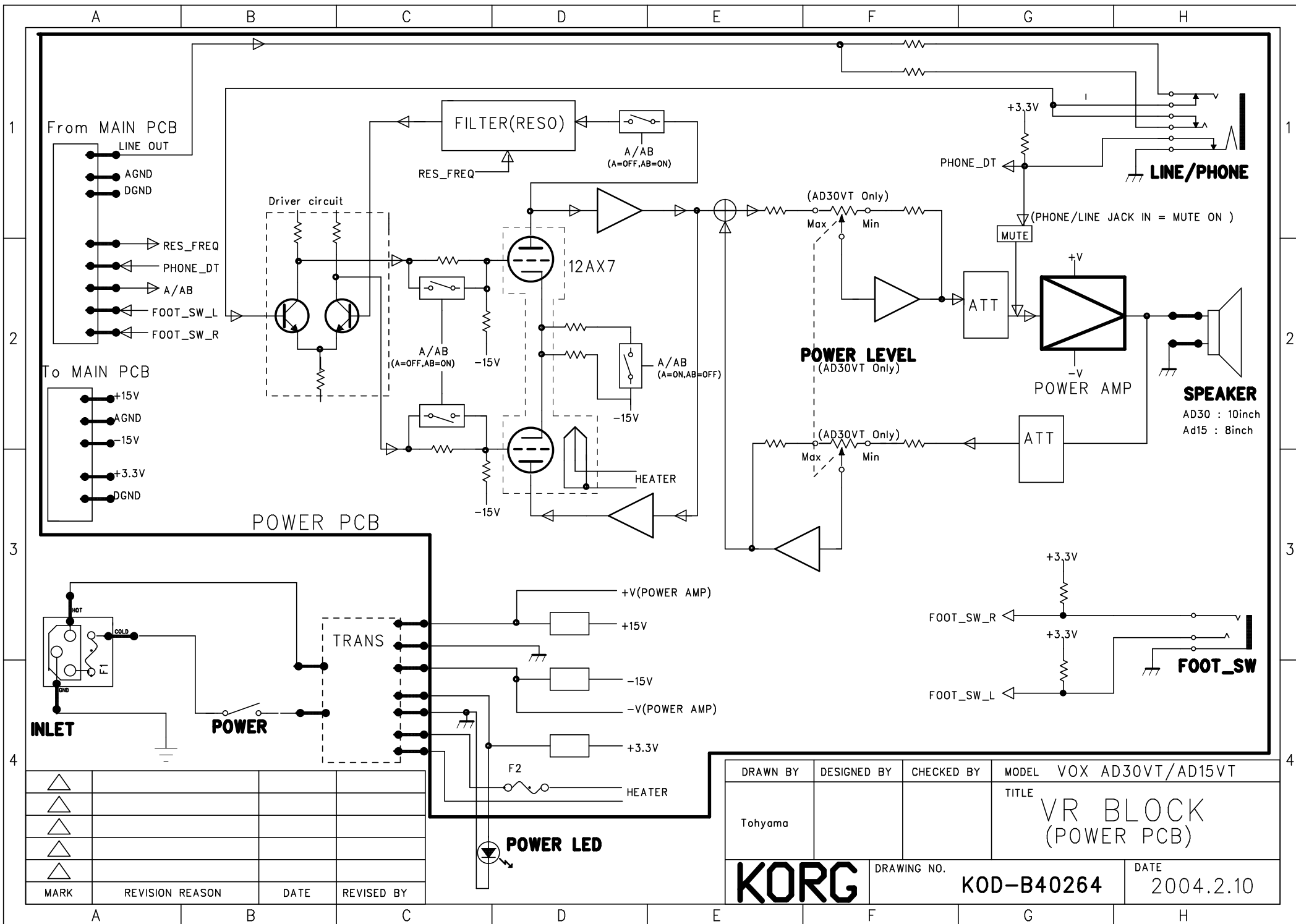
**POWER BLOCK**



NC : No Connect  
NU : No Use

TIRE VOX AD15VT POWER PCB			
Size	Number	Revision	
A2		KLM-2464	
Date	2004.1.9	Sheet	2/2





MARK	REVISION	REASON	DATE	REVISED BY
△				
△				
△				
△				
△				

DRAWN BY	DESIGNED BY	CHECKED BY	MODEL	VOX AD30VT/AD15VT
Tohyama			TITLE	VR BLOCK (POWER PCB)
<b>KORG</b>		DRAWING NO.	KOD-B40264	DATE
				2004.2.10

**AD15VT**

PART CODE	PART NAME	NOTE	Q'TY
320001607	IC UPD77112GC-017-9EU	PWB031205	1
320011236	IC M3803-7M6H-094FP	PWB031205	1
324038005	IC TDA1308T	PWB031205	1
600006503	AC POWER CORD DC-627-J01	M.PART 100JP	1
*V903010000	TR NPN KTC3198-GR	PWB031209	6
*V903010001	TR PNP KTA1266-GR	PWB031209	2
*V903010017	TRANSISTER KTA2014	PWB031205	1
*V903010018	TRANSISTER KTC2875	PWB031205	1
*V903010019	TRANSISTER KTC2874B	PWB031209	1
*V903111000	SILICON RECTIFIRE DIODE 1N4002	PWB031209	7
*V903111002	SILICON SWITCHING DIODE 1N4148	PWB031209	6
*V903111011	BRIDGE DIODE KBP206G	PWB031209	1
*V903111012	DOUBLE DIODE DA204K	PWB031205	2
*V903111013	BRIDGE RECTIFIER DIODE W04M	PWB031209	1
*V903120006	LED RED 3MM DLL-B5131Q-Y	PWB031205	6
*V903120008	LED DLL-50231 5MM	PWB031209	1
*V903200013	IC DP AMP NJM4556	PWB031205	1
*V903200019	IC OP AMP NJM2068M	PWB031205	1
*V903200023	IC SRAM HY62WT08081E	PWB031205	1
*V903200024	IC RESET KIA7125FV	PWB031205	1
*V903200025	IC EEPROM AK93C45AF	PWB031205	1
*V903200026	IC DC/DC CON NJM2872AF	PWB031205	1
*V903200027	IC INVERTER 74LVU04DB	PWB031205	1
*V903200028	IC BINARY COUNTER 74LV4040A	PWB031205	1
*V903200029	IC OP AMP NJM2082D	PWB031209	2
*V903200030	IC POWER LM1875	PWB031209	1
*V903200031	IC REGULATOR KA7815TU	PWB031209	1
*V903200032	IC REGULATOR KA7915TU	PWB031209	1
*V903200033	IC REGULATOR BA033T	PWB031209	1
*V903300009	FUSE CLIP 0751-0110	PWB031209	2
*V903300011	FUSE TIMELAG 250V T1.6AL	M.PART 100JP	1
*V903300011	FUSE TIMELAG 250V T1.6AL	M.PART 117EX	1
*V903300011	FUSE TIMELAG 250V T1.6AL	M.PART 117CN	1
*V903300011	FUSE TIMELAG 250V T1.6AL	M.PART 117US	1
*V903300011	FUSE TIMELAG 250V T1.6AL	M.PART 117US	1
*V903300017	FUSE 250V T800MAL	M.PART 230WG	1
*V903300017	FUSE 250V T800MAL	M.PART 240AU	1
*V903300017	FUSE 250V T800MAL	M.PART 230GE	1
*V903300017	FUSE 250V T800MAL	PWB031209	1
*V903300017	FUSE 250V T800MAL	M.PART 230FR	1
*V903300017	FUSE 250V T800MAL	M.PART 230UK	1
*V903350001	CRYSTAL 8MHZ	PWB031205	1
*V903350002	CRYSTAL 11.2896MHZ	PWB031205	1
*V903620015	VR RV160-40-15S-B10K-CO	PWB031205	7
*V903620016	VR RV160-40-15S-B10K-C11	PWB031205	2
*V904020001	AXIAL BEED CORE SAT2550L	PWB031209	2
*V904020001	AXIAL BEED CORE SAT2550L	PWB031205	1
*V904020003	CHIP INDUCTOR HH-1M2012-600	PWB031205	3
*V904050024	POWER TRANSFORMER 100V=057-ADJ	M.PART 100JP	1
*V904050025	POWER TRANSFORMER 120V=057-ADU	M.PART 117CN	1
*V904050025	POWER TRANSFORMER 120V=057-ADU	M.PART 117EX	1
*V904050025	POWER TRANSFORMER 120V=057-ADU	M.PART 117US	1
*V904050026	POWER TRANSFORMER 230V=057-ADE	M.PART 230FR	1

**AD15VT**

PART CODE	PART NAME	NOTE	Q'TY
*V904050026	POWER TRANSFORMER 230V=057-ADE	M.PART 230GE	1
*V904050026	POWER TRANSFORMER 230V=057-ADE	M.PART 230WG	1
*V904050026	POWER TRANSFORMER 230V=057-ADE	M.PART 230UK	1
*V904050027	POWER TRANSFORMER 240V=057ADEF	M.PART 240AU	1
*V904100107	LOUD SPEAKER 8-INCH	M.PART	1
*V904530005	ANALOG SW DG211	PWB031209	1
*V904530014	POWER SWITCH APS1101	M.PART	1
*V904530015	TACT SW ATS-1230B(K=9.5MM)	PWB031205	6
*V904540015	PHONE JACK (STEREO) APJ-8P-S	PWB031209	2
*V904540015	PHONE JACK (STEREO) APJ-8P-S	PWB031205	1
*V904700000	AC CONNECTOR SC-8F-21	M.PART	1
*V904752012	FLAT WIRE AWG26 150MM WHT/BK9P	PWB031209	1
*V904752013	FLAT WIRE AWG26 210MM WHT/BK8P	PWB031209	1
*V904752014	FLAT WIRE AWG26 300MM WHT/BK2P	PWB031209	1
*V904753009	T205 RING WIRE AWG18 YL 150MM	M.PART	1
*V904753010	T250 RING WIRE AWG18 YL 200MM	M.PART	1
*V904753011	T205/250 WIRE AWG22 BK 150MM	M.PART	1
*V904753012	SHIELD WIRE AWG26 GRY 115MM	PWB031205	1
*V904753013	LEAD WIRE AWG22 150MM WHT	PWB031209	1
*V904753014	LEAD WIRE 205T AWG22 400MM WHT	PWB031209	1
*V904753015	LEAD WIRE 205T AWG22 520MM BK	PWB031209	1
*V904754002	EARTH RING TERMINAL AD15/30	PWB031205	1
*V904754002	EARTH RING TERMINAL AD15/30	PWB031209	2
*V904754003	POWER TERMINAL 250 AD15	PWB031209	8
*V904754004	PVC TUBE PHI 3.5 150MM	PWB031209	1
*V904754005	HEAT TUBE 20MM (6 PHI)	PWB031209	3
*V904754006	HEAT TUBE 25MM (6 PHI)	PWB031209	4
*V904755001	WAFER GIL-S-3P-S2TS ANGLE	PWB031205	1
*V905000001	TUBE SOCKET VT9-PT-2	PWB031209	1
*V905000002	VACUUME TUBE 12AX7WA	M.PART	1
*V906000104	AC POWER CORD KKP-30 SVT(120V)	M.PART 117EX	1
*V906000104	AC POWER CORD KKP-30 SVT(120V)	M.PART 117CN	1
*V906000104	AC POWER CORD KKP-30 SVT(120V)	M.PART 117US	1
*V906000105	AC POWER CORD KKP-4819R(230V)	M.PART 230GE	1
*V906000105	AC POWER CORD KKP-4819R(230V)	M.PART 230WG	1
*V906000105	AC POWER CORD KKP-4819R(230V)	M.PART 230FR	1
*V906000106	AC POWER CORD KKP650(230UK)	M.PART 230UK	1
*V906000107	AC POWER CORD KKP550(240AU)	M.PART 230AU	1
*V906400003	KNOB (CHICKEN HEAD)	M.PART	8
*V906400009	PLASTIC CORNER	M.PART	6
*V906400017	ROUND KNOB	M.PART	1
*V906400021	TACT KNOB CIRCLE AD15/30	M.PART	6
*V906400022	VOX BRAND MARK (LARGE) SILVER	M.PART	1
*V906400023	VALVETRONIX EMBLEM SILVER	M.PART	1
*V906410006	CABINET FOR AD15	M.PART	1
*V906420001	RUBBER FOOT	M.PART	4
*V906430018	RUBBER BUSHING PHI 12	M.PART	1
*V906430053	MAIN CHASSIS AD15	M.PART	1
*V906430054	FRONT PANEL AD15	M.PART	1
*V906430055	REAR PANEL AD15 100V	M.PART	1
*V906430056	PCB SUPPORT BRASS 10MM	M.PART	4
*V906430057	LED BUSHING PHI 5	M.PART	1
*V906430058	INSULATE SPACER MICA AD15	M.PART	1



**AD15VT**

PART CODE	PART NAME	NOTE	Q'TY
*V906430059	INSULATE BUSHING TO220 AD15	M.PART	1
*V906430060	LED SUPPORT 10MM AD15	PWB031205	6
*V906430061	GRILL SUPORT AD15	M.PART	6
*V906430063	REAR PANEL AD15 120V	M.PART	1
*V906430064	REAR PANEL AD15 230V	M.PART	1
*V906430065	REAR PANEL AD15 240V	M.PART	1
*V906440028	HEATSINK AD15 (80X30X42 AL)	M.PART	1
*V906440029	RUBBER SPONGE 15X10X1T	M.PART	6
*V906440030	RUBBER SPONGE 27X15X2T	M.PART	2
*V906440031	AD15 SPEAKER GRILL SPC1 1.2T N1	M.PART	1
*V906450033	DVOX HANDLE BAR WITH HANDLE	M.PART	1
*V906460001	FLANGE NUT M4	M.PART	4
*V906460001	FLANGE NUT M4	M.PART	4
*V906460006	TOOS WASHER PHI PHI 4 INTERNAL	M.PART	2
*V906460008	TOOS WASHER PHI PHI 3 INTERNAL	M.PART	2
*V906460011	VOLUME NUT M7	M.PART	9
*V906460012	VOLUME WASHER PHI 7	M.PART	9
*V906460013	JACK NUT AD15	M.PART	3
*V906460014	JACK WASHER AD15/30	PWB031205	1
*V906460014	JACK WASHER AD15/30	PWB031209	2
*V909000023	PCB ASSY PWB031209 AD15VT	M.PART	1
*V909000026	PCB ASSY PWB031205 AD15/30VT	M.PART	1

**AD30VT**

PART CODE	PART NAME	NOTE	Q'TY
320001607	IC UPD77112GC-017-9EU	PWB031205	1
320011236	IC M3803FPPP	PWB031205	1
324038005	IC TDA1308T	PWB031205	1
600006503	AC POWER CORD DC-627-J01	M.PART 100JP	1
*V903010000	TR NPN KTC3198-GR	PWB031209A	6
*V903010001	TR PNP KTA1266-GR	PWB031209A	2
*V903010017	TRANSISTER KTA2014	PWB031205	1
*V903010019	TRANSISTER KTC2874B	PWB031209A	1
*V903010020	TRANSISTER KTC2875B	PWB031205	1
*V903111000	SILICON RECTIFIRE DIODE 1N4002	PWB031209A	7
*V903111002	SILICON SWITCHING DIODE 1N4148	PWB031209A	6
*V903111012	DOUBLE DIODE DA204K	PWB031205	2
*V903111013	BRIDGE RECTIFIER DIODE W04M	PWB031209A	1
*V903111014	BRIDGE DIODE KBP206	PWB031209A	1
*V903120008	LED DLL-50231 5MM	PWB031209A	1
*V903200013	IC DP AMP NJM4556	PWB031205	1
*V903200019	IC OP AMP NJM2068M	PWB031205	1
*V903200023	IC SRAM HY62WT08081E	PWB031205	1
*V903200024	IC RESET KIA7125FV	PWB031205	1
*V903200025	IC EEPROM AK93C45AF	PWB031205	1
*V903200026	IC DC/DC CON NJM2872AF	PWB031205	1
*V903200027	IC INVERTER 74LVU04DB	PWB031205	1
*V903200028	IC BINARY COUNTER 74LV4040A	PWB031205	1
*V903200029	IC OP AMP NJM2082D	PWB031209A	2
*V903200031	IC REGULATOR KA7815TU	PWB031209A	1
*V903200032	IC REGULATOR KA7915TU	PWB031209A	1
*V903200033	IC REGULATOR BA033T	PWB031209A	1
*V903200034	IC POWER LM3886T	PWB031209A	1
*V903300009	FUSE CLIP 0751-0110	PWB031209A	2
*V903300011	FUSE TIMELAG 250V T1.6AL	M.PART 100JP	1
*V903300011	FUSE TIMELAG 250V T1.6AL	M.PART 117EX	1
*V903300011	FUSE TIMELAG 250V T1.6AL	M.PART 117CN	1
*V903300011	FUSE TIMELAG 250V T1.6AL	M.PART 117US	1
*V903300011	FUSE TIMELAG 250V T1.6AL	M.PART 117US	1
*V903300017	FUSE 250V T800MAL	M.PART 230WG	1
*V903300017	FUSE 250V T800MAL	M.PART 230GE	1
*V903300017	FUSE 250V T800MAL	M.PART 230FR	1
*V903300017	FUSE 250V T800MAL	PWB031209A	1
*V903300017	FUSE 250V T800MAL	M.PART 240AU	1
*V903300017	FUSE 250V T800MAL	M.PART 230UK	1
*V903350001	CRYSTAL 8MHZ	PWB031205	1
*V903350002	CRYSTAL 11.2896MHZ	PWB031205	1
*V903620015	VR RV160-40-15S-B10K-CO	PWB031205	7
*V903620016	VR RV160-40-15S-B10K-C11	PWB031205	2
*V903620017	VR RS162-20-15SP-B100K STEREO	PWB031209A	1
*V904020001	AXIAL BEED CORE SAT2550L	PWB031209A	2
*V904020001	AXIAL BEED CORE SAT2550L	PWB031205	1
*V904020003	CHIP INDUCTOR HH-1M2012-600	PWB031205	3
*V904050020	POWER TRANS 100V= 066-ADJ	M.PART 100JP	1
*V904050021	POWER TRANS 120V= 066-ADU	M.PART 117EX	1
*V904050021	POWER TRANS 120V= 066-ADU	M.PART 117US	1
*V904050021	POWER TRANS 120V= 066-ADU	M.PART 117CN	1
PART CODE	PART NAME	NOTE	Q'TY
*V904050022	POWER TRANS 230V= 066-ADE	M.PART 230GE	1
*V904050022	POWER TRANS 230V= 066-ADE	M.PART 230UK	1
*V904050022	POWER TRANS 230V= 066-ADE	M.PART 230FR	1
*V904050022	POWER TRANS 230V= 066-ADE	M.PART 230WG	1
*V904050023	POWER TRANS 240V= 066-ADEF	M.PART 240AU	1
*V904100108	SPEAKER 10 INCH 8 OHM	M.PART	1

**AD30VT**

PART CODE	PART NAME	NOTE	Q'TY
*V904530005	ANALOG SW DG211	PWB031209A	1
*V904530014	POWER SWITCH APS1101	M.PART	1
*V904530015	TACT SW ATS-1230B(K=9.5MM)	PWB031205	6
*V904540015	PHONE JACK (STEREO) APJ-8P-S	PWB031209A	2
*V904540015	PHONE JACK (STEREO) APJ-8P-S	PWB031205	1
*V904700000	AC CONNECTOR SC-8F-21	M.PART	1
*V904752012	FLAT WIRE AWG26 150MM WHT/BK9P	PWB031209A	1
*V904752013	FLAT WIRE AWG26 210MM WHT/BK8P	PWB031209A	1
*V904752014	FLAT WIRE AWG26 300MM WHT/BK2P	PWB031209A	1
*V904753009	T205 RING WIRE AWG18 YL 150MM	M.PART	1
*V904753010	T250 RING WIRE AWG18 YL 200MM	M.PART	1
*V904753011	T205/250 WIRE AWG22 BK 150MM	M.PART	1
*V904753012	SHIELD WIRE UL2547 AWG26 115MM	PWB031205	1
*V904753013	LEAD WIRE AWG22 150MM WHT	PWB031209A	1
*V904753014	LEAD WIRE 205T AWG22 400MM WHT	PWB031209A	1
*V904753015	LEAD WIRE 205T AWG22 520MM BK	PWB031209A	1
*V904754002	EARTH RING TERMINAL AD15/30	PWB031205	1
*V904754002	EARTH RING TERMINAL AD15/30	PWB031209A	2
*V904754003	POWER TERMINAL 250 AD15	PWB031209A	8
*V904754004	PVC TUBE PHI 3.5 150MM	PWB031209A	1
*V904755001	WAFER GIL-S-3P-S2TS ANGLE	PWB031205	1
*V905000001	TUBE SOCKET VT9-PT-2	PWB031209A	1
*V905000002	VACUUME TUBE 12AX7WA	M.PART	1
*V906000104	AC POWER CORD KKP-30 SVT(120V)	M.PART 117US	1
*V906000104	AC POWER CORD KKP-30 SVT(120V)	M.PART 117CN	1
*V906000104	AC POWER CORD KKP-30 SVT(120V)	M.PART 117EX	1
*V906000105	AC POWER CORD KKP-4819R(230V)	M.PART 230GE	1
*V906000105	AC POWER CORD KKP-4819R(230V)	M.PART 230WG	1
*V906000105	AC POWER CORD KKP-4819R(230V)	M.PART 230FR	1
*V906000106	AC POWER CORD KKP650(230UK)	M.PART 230UK	1
*V906000107	AC POWER CORD KKP550(240AU)	M.PART 230AU	1
*V906400003	KNOB (CHICKEN HEAD)	M.PART	8
*V906400009	PLASTIC CORNER	M.PART	6
*V906400017	ROUND KNOB	M.PART	2
*V906400021	TACT KNOB CIRCLE AD15/30	M.PART	6
*V906400022	VOX BRAND MARK (LARGE) SILVER	M.PART	1
*V906400023	VALVETRONIX EMBLEM SILVER	M.PART	1
*V906400024	AD30 VENT GRILL	M.PART	2
*V906410007	WOODEN CABINET AD30	M.PART	1
*V906420001	RUBBER FOOT	M.PART	4
*V906430018	RUBBER BUSHING PHI 12	M.PART	1
*V906430056	PCB SUPPORT BRASS 10MM	M.PART	4
*V906430057	LED BUSHING PHI 5	M.PART	1
*V906430060	LED SUPPORT 10MM AD15	PWB031205	6
*V906430061	GRILL SUPORT AD15	M.PART	6
*V906430066	MAIN CHASSIS AD30	M.PART	1
PART CODE	PART NAME	NOTE	Q'TY
*V906430067	FRONT PANEL AD30	M.PART	1
*V906430068	REAR PANEL AD30 100V	M.PART	1
*V906430069	REAR PANEL AD30 120V	M.PART	1
*V906430070	REAR PANEL AD30 230V	M.PART	1
*V906430071	REAR PANEL AD30 240V	M.PART	1
*V906440029	RUBBER SPONGE 15X10X1T	M.PART	6
*V906440032	HEATSINK AD30 (80X35X92)	M.PART	1
*V906440033	SPEAKER GRILL SPC1 1.2T N1	M.PART	1
*V906450033	DVOX HANDLE BAR WITH HANDLE	M.PART	1
*V906460001	FLANGE NUT M4	M.PART	4
*V909000026	PCB ASSY PWB031205 AD15/30VT	M.PART	1
*V909000027	PCB ASSY PWB031209A AD30VT	M.PART	1