

GUITAR

SERVICE INFORMATION

© 1968



ASTRO IV

V273

MARCH **R**

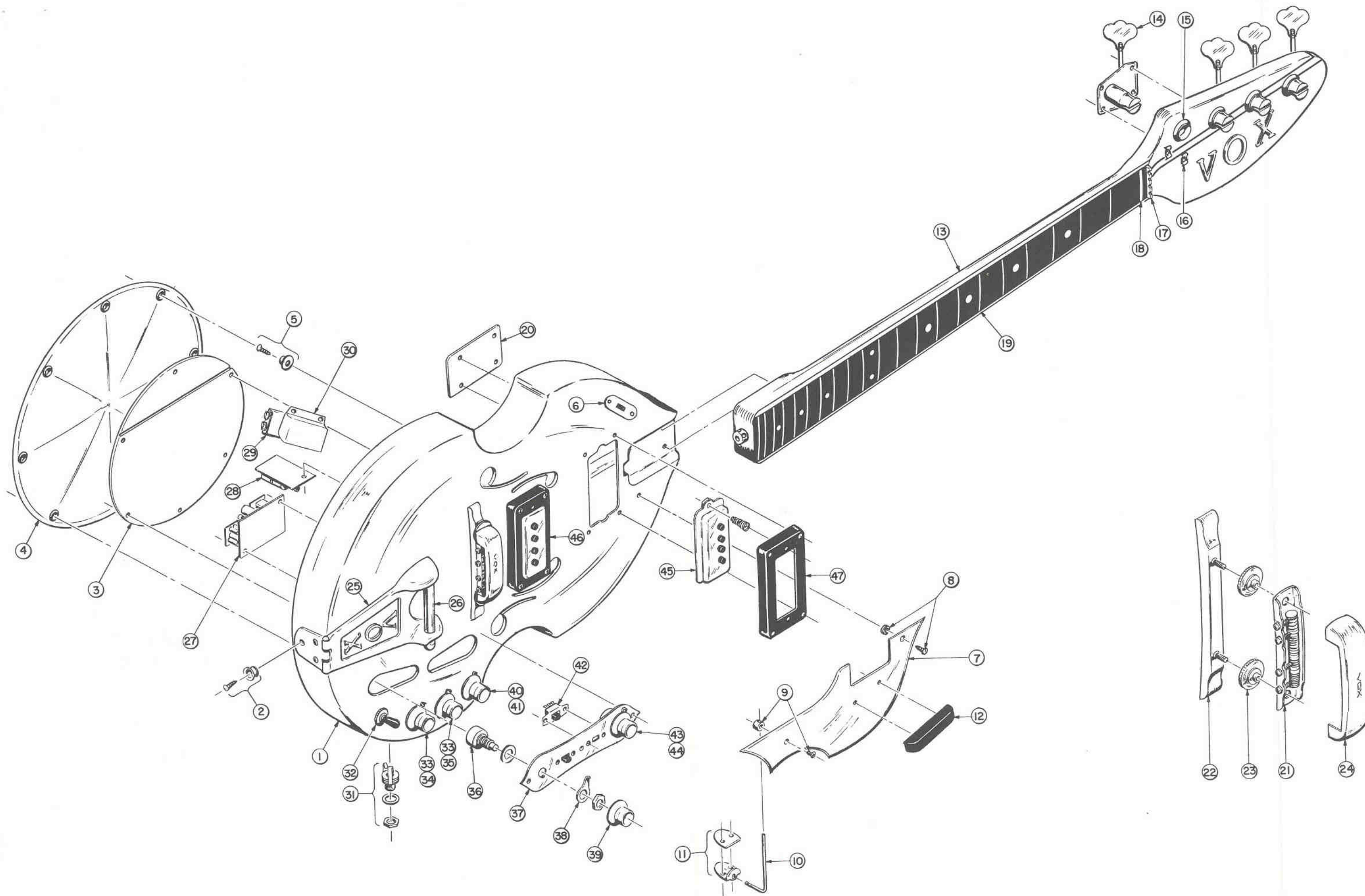
Thomas Organ Company • National Service Department • Sepulveda, California

Printed in U.S.A.

ILLUSTRATED PARTS LIST

DESCRIPTION
BODY ASSEMBLY
Acoustical Body (Specify Color) Strap Button and Screw Assy. Electronics Cover (Plastic - 6½" dia.) ... Electronics Cover Mtg. Screw (#3 x 3/8 Rd.) Non-slip Pad W/Snaps (9") Snap Button and Screw Assy. for Pad Slide Switch Cover W/Mtg. Screw ("G" Tuner) Pick Guard Pick Guard Mtg. Screw and Spacer Assy. (Rubber) Pick Guard Support Rod Spacer and Screw Assy. Pick Guard Support Rod Pick Guard Support Rod Mtg. Bracket and Spacer Assy. ... Pick Guard Support Rod Bracket Mtg. Screw Finger Support ... Finger Support Mtg. Screw
NECK ASSEMBLY W/MACHINE HEADS
Machine Head (Single) ... Machine Head Mtg. Screw (#3 x 3/8 Rd.) Machine Head Eyelet String Cleat, Spacer and Screw Assy. Bridge Nut (Aluminum) Fret Wire (Wide - Order Per Foot) Fret Wire (Narrow - Order Per Foot) Neck Rear Cover Plate (1-5/8" x 2-5/8") ... Neck Rear Cover Plate Mtg. Screw (#10 x 2" Oval)
ADJUSTABLE BRIDGE ASSEMBLY
Bridge Stand (Wood) Bridge Adjustment Nut (Chrome) Bridge Cover (Chrome)

INDEX NO.	PART NO.	DESCRIPTION
25	09-3961-0	TAILPIECE ASSEMBLY (HINGED)
26	09-3962-0 09-3882-0 09-136-0	Tailpiece Spindle ... Tailpiece Screw and Flange Nut Assy. (Upper) ... Tailpiece Mtg Screw (#6 x 1" Oval)
ELECTRONIC COMPONENTS		
27	09-3706-0 09-3707-0 09-3708-0 09-3709-0 09-3710-0 09-3711-0	Distortion and Treble-Bass Boost Module Assy. (Complete) ... Treble-Bass Boost Module ... Distortion Module ... P. C. Board Only ... 100 uF 12V (Electro.) Capacitor ... 10 uF 15V (Electro.) Capacitor
28	09-3802-0 09-3704-0 09-3705-0	"G" Tuner Assy. ... Tuning Coil ... P. C. Board Only
29	66-5000-0 09-6202-0	9V Transistor Battery ... Battery Clip and Cable Assy.
30	09-3842-0	Battery Clamp and Screw Assy.
31	09-3029-0	Phone Jack (Stereo)
32	09-3772-0 09-3773-0	Toggle Switch (W/Knob - 3 Position) ... Knob (Only)
33	09-1027-0	100k Ohm Linear Pot. (Tone)
34	09-3766-0	Knob (Tone 2)
35	09-3719-0 09-3718-0	Knob (Tone 1) ... Set Screw (All Knobs)
36	09-3716-0	1.5k Ohm Pot. (Distortion)
37	09-4003-0	Control and Switch Plate (W/Mtg. Screw)
38	09-3717-0	Dial Pointer
39	09-3721-0	Knob (Distortion)
40	09-1028-0	500k Ohm Log. Pot. (Volume)
41	09-3720-0	Knob (Volume 1)
42	09-3713-0	Slide Switch (D. P. S. T.)
43	09-3715-0	500k Ohm "B" Pot. (TR-B Boost)
44	09-3722-0	Knob (TR-B Boost)
45	09-3983-0	Pickup Assy. (4 Pole)
46	09-3883-0 09-3712-0 09-3763-0	Pickup Mtg. Bracket (Treble - 1/2" Depth) ... Pickup Adjusting Screw and Spring Assy ... Pickup Bracket Mtg. Screw (#4 x 3/4" Oval)
47	09-3762-0	Pickup Mtg. Bracket (Bass - 3/8" Depth)



INDEX NO.
1
2
3
4
5
6
7
8
9
10
11
12
13
14
15
16
17
18
19
20
21
22
23
24

