



BERKELEY II

V1081

Manufactured By
THOMAS ORGAN COMPANY
SEPULVEDA, CALIFORNIA, under license from
JENNINGS MUSICAL INDUSTRIES LTD.
DARTFORD, KENT, ENGLAND



BERKELEY II

V1081

SERVICE INFORMATION

Thomas Organ Company • National Service Department • Sepulveda, California

REPLACEMENT PARTS LIST

Location	Part No.	Description
CAPACITORS		
C1-C28	20-8423-1	.1 mfd 100V 10%
C2	15-18011	18 pf 500V 10%
C3-C16-C29	18-5053-3	10 mfd 15V (Electro)
C4	20-8429-1	.33 mfd 100V 10%
C5-C11	18-5136-3	2 mfd 25V (Electro)
C6	20-8408-1	.0056 mfd 100V 10%
C7	20-8421-1	.068 mfd 100V 10%
C8	20-8409-1	.0068 mfd 100V 10%
C9	18-5057-3	1 mfd 15V (NP Electro)
C10	15-10211	.001 mfd 500V 10%
C12	15-27111	270 pf 500V 10%
C13-C31	18-5121-3	200 mfd 6V (Electro)
*C14-C23	15-18111	180 pf 500V 10%
C15	20-8419-1	.047 mfd 100V 10%
C17	20-8415-1	.022 mfd 100V 10%
C18	20-8427-1	.22 mfd 100V 10%
C19	18-5056-3	4 mfd 15V (NP Electro)
C20	18-5098-3	250 mfd 12V (Electro)
C21	20-8417-1	.033 mfd 100V 10%
C22-C34	18-5128-3	500 mfd 35V (Electro)
C24-C25-C26	20-8431-1	.47 mfd 100V 10%
C27	20-8401-1	.0012 mfd 100V 10%
C30	18-5137-3	5 mfd 12V (Electro)
C32	20-5317-1	.047 mfd 600V 20%
C33	18-5131-3	5000 mfd 35V (Electro)
C35	18-5111-3	500 mfd 25V (Electro)
*Later Production		
C14	15-47111	470 pf 500V 10%

Manufactured By

THOMAS ORGAN COMPANY
SEPULVEDA, CALIFORNIA, under license from

JENNINGS MUSICAL INDUSTRIES LTD.
DARTFORD, KENT, ENGLAND

RESISTORS - All 1/2W 10% Unless Otherwise Indicated

R1-R2-R3	60-68301	68K Ohm
R4-R5	60-10401	100K Ohm
R6	60-33301	33K Ohm
R7-R22-R45	60-22301	22K Ohm
R8-R13-R38-R53	60-10101	100 Ohm
R9-R27-R50-R51	60-10201	1K Ohm
R10-R18	60-15201	1.5K Ohm
R11-R12	24-5193-3	10K Ohm Pot. (Bass-Treble)
R14	24-5201-3	10K Ohm Pot. (Volume)
R15	60-27301	27K Ohm
R16	60-15101	150 Ohm
R17	60-33401	330K Ohm
R19	60-82001	82 Ohm
R20	60-56401	560K Ohm
R21-R46	60-15401	150K Ohm
R23-R40-R54	60-68101	680 Ohm
R24	24-5195-3	3K Ohm Pot (Reverb)
R25-R28	60-39201	3.9K Ohm
R26	60-10501	1 Meg Ohm
R29	60-68201	6.8K Ohm
R30	60-56101	560 Ohm
R31	60-33101	330 Ohm
R32-R34	60-33901	3.3 Ohm
R33-R35	60-47111	470 Ohm 1W 10%
R36-R37	62-33801-2	.33 Ohm
R39	60-47301	47K Ohm
R41	60-18301	18K Ohm
R42-R48-R49	60-22201	2.2K Ohm
R43	24-5209-3	50K Ohm Pot (Speed)
R44	60-27501	2.7 Meg Ohm
R47	24-5210-3	1 Meg Ohm Pot (Depth)
R52	60-10121	100 Ohm 2W 10%
MISCELLANEOUS		
P6	21-180-1	3 Pin Male Housing
S6	21-181-1	3 Pin Female Housing
	22-5033-2	Switch Mtg. Nut
	25-5274-2	PC Board Only
	40-5040-0	Escutcheon
	40-5141-3	Control Panel
F1	43-29-0	1 A. Slo-Blo Fuse
	44-5035-1	Heat Sink
	45-110-5	Contact (P & S Housing)
P4-P5	45-5000-0	Phono Plug
J1-J2-J3	45-5006-1	Input Phono Jack
J7	45-5006-1	Auxilliary Speaker Jack
	45-5023-5	Fuse Holder
	45-5031-3	Transistor Socket
S9	45-5049-3	AC Accessory Socket
S8	45-5050-3	6 Connector Pedal Socket
	52-5083-0	Control Knob
SW5	69-5194-0	Line Reverse Switch
SW4	69-5211-0	On/Off Power Switch
T1	80-5056-1	Reverb Transformer
T2	80-5057-1	Driver Transformer
T3	80-5061-6	Power Transformer
L1	80-5070-7	1h. Toroid Inductor
	84-16593	Pilot Light Assembly W/Jewel
	84-18382-1	PC Board Assy. Complete

MISCELLANEOUS (continued)

SD1-SD2-SD3	86-5024-3	Silicon Rectifier (1A)
Q1-Q2-Q3-Q5	86-5044-2	Transistor (Grn/Yellow)
Q6-Q10-Q11	86-5050-2	Transistor (Yellow)
Q4	86-5073-2	Transistor "E"
Q7	86-5075-2	Transistor "G" (Driver)
Q8-Q9	86-5089-2	Output Transistor (Germ.)
PL1	89-5062	TS #1892 Lamp

CABINET COMPONENTS

P6	21-180-1	Male Housing
	21-5213-0	Amplifier Cabinet Back
	21-5214-0	Speaker Cabinet Back
	21-5220	Speaker Cabinet Cover (Plastic)
	21-5221	Amplifier Cabinet Cover (Plastic)
	22-157-2	Handle Mtg. Nut
	22-5084-0	Amplifier Cabinet to Stand Retainer
A1	23-5002-2	Reverb Delay Line
SP1-SP2	33-5085-6	10" Speaker - 8 Ohm
	37-5027-3	Corner Protector (Plastic)
	40-5144-3	Front Trimstrip
	45-110-5	Housing Contact
P4-P5	45-5000-0	Phono Plug
P10-P11	45-5044-3	Speaker Receptacle
S10-S11	45-5045-3	Speaker Connector - Part of CBL2
	49-5184	Corner Protector Mtg. Nail
	49-5219	Cabinet Handle
	57-608823	Corner Protector Mtg. Screw
	57-614824	Back Mtg. Screw
	57-816631	Handle Mtg. Screw
	58-5116	Back Mtg. Washer
	62-50240	Plastic Foot (4 per pkg.)
	73-5059	"Vox" Logo (Plastic)
	73-5093	"Solid State" Insignia
	83-8215	Cooling Vent (Plastic)
	83-8310	White Bead (Order per foot)
	83-8311	Gold Bead (Order per foot)
	84-16792	Amplifier Cabinet Assy.
CBL2	84-16793	Speaker Cable Assy. -8'
	84-16796	Speaker Cabinet Assy.
	97-5279	Retainer Mtg. Screw
	98-5005-1	Leatherette - 45" Width (Order per yard)
	98-5357-0	Grille Cloth - 45" Width (Order per yard)

TREMOLO-REVERB-MRB PEDAL ASSEMBLY

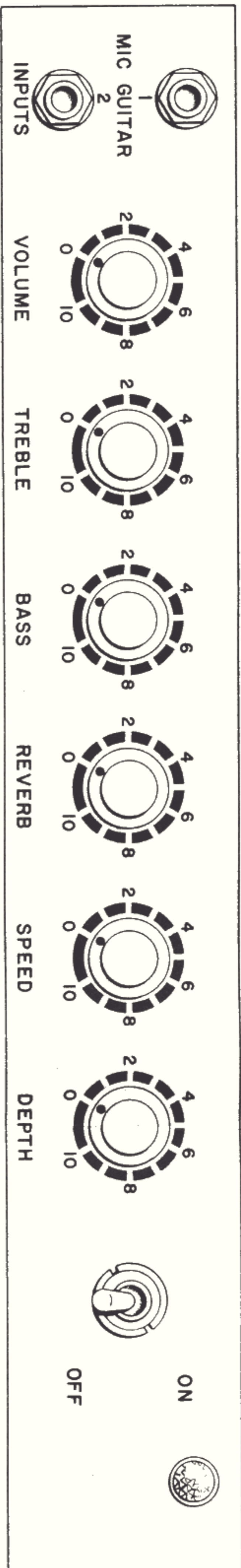
	21-5035-1	Metal Housing
	22-5033-2	Switch Mtg. Nut
P8	45-5033-0	6 Pin Plug (Part of CBL1)
SW1-SW2	69-5193-0	Tremolo-Reverb Switches
SW3	69-5212-0	MRB Switch (Momentary)
	84-18390	Plate & Tread Assy.
	84-18416	Pedal Assy. Complete
CBL1	84-18465	Cable Assy. W/Plug (12')

STAND ASSEMBLY (84-16989)

39-5001-5	Hub
49-5202	Caster
52-5085-0	Chrome Flange Knob
77-5092-0	Phenolic Spacer
77-5093-0	Flange Spacer
84-16831	Mounting Flange Assy.
84-18407	Base
84-18408	Frame
97-5285	Screw

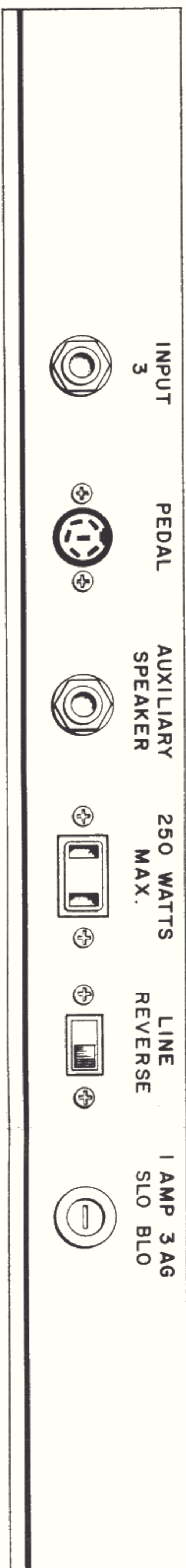
NOTE: All small hardware (screws, nuts, nails, etc.) are packaged in dozen lots only.

J1 R14 R12 R11 R24 R43 R47 SW4 PL1

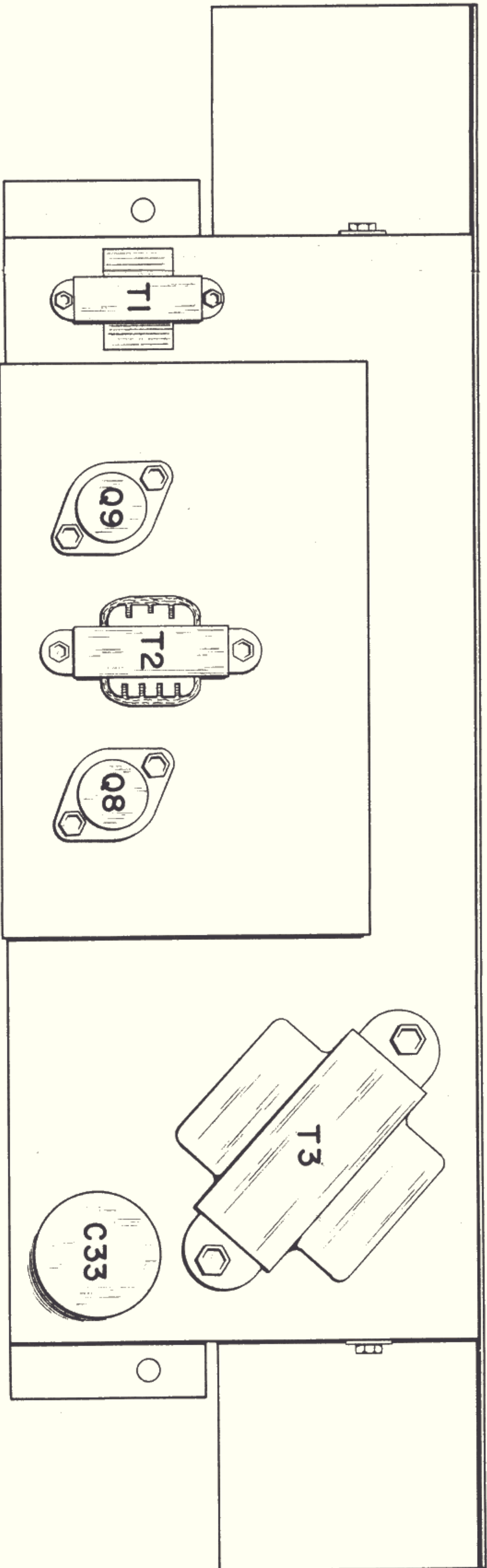


J2

J3 S8 J7 S9 SW5 F1



ESCUTCHEON

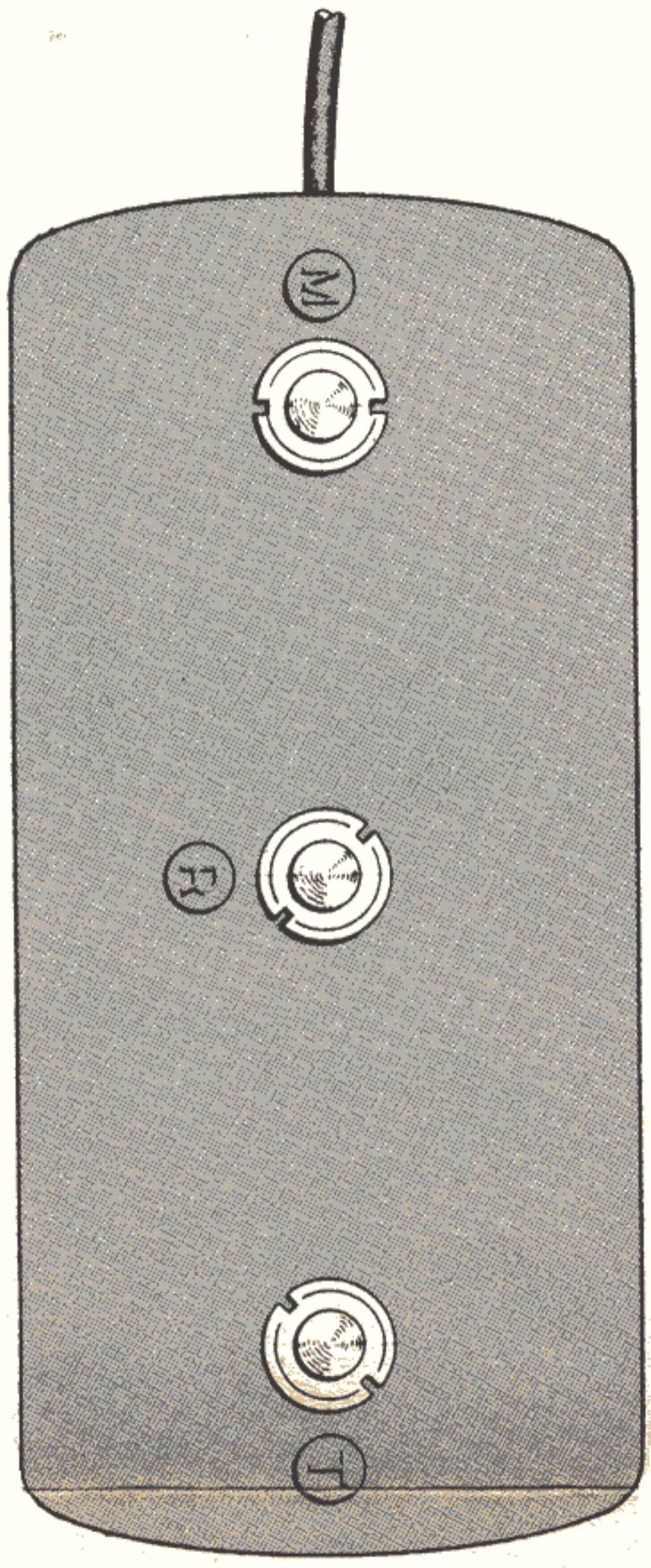


AMPLIFIER CHASSIS

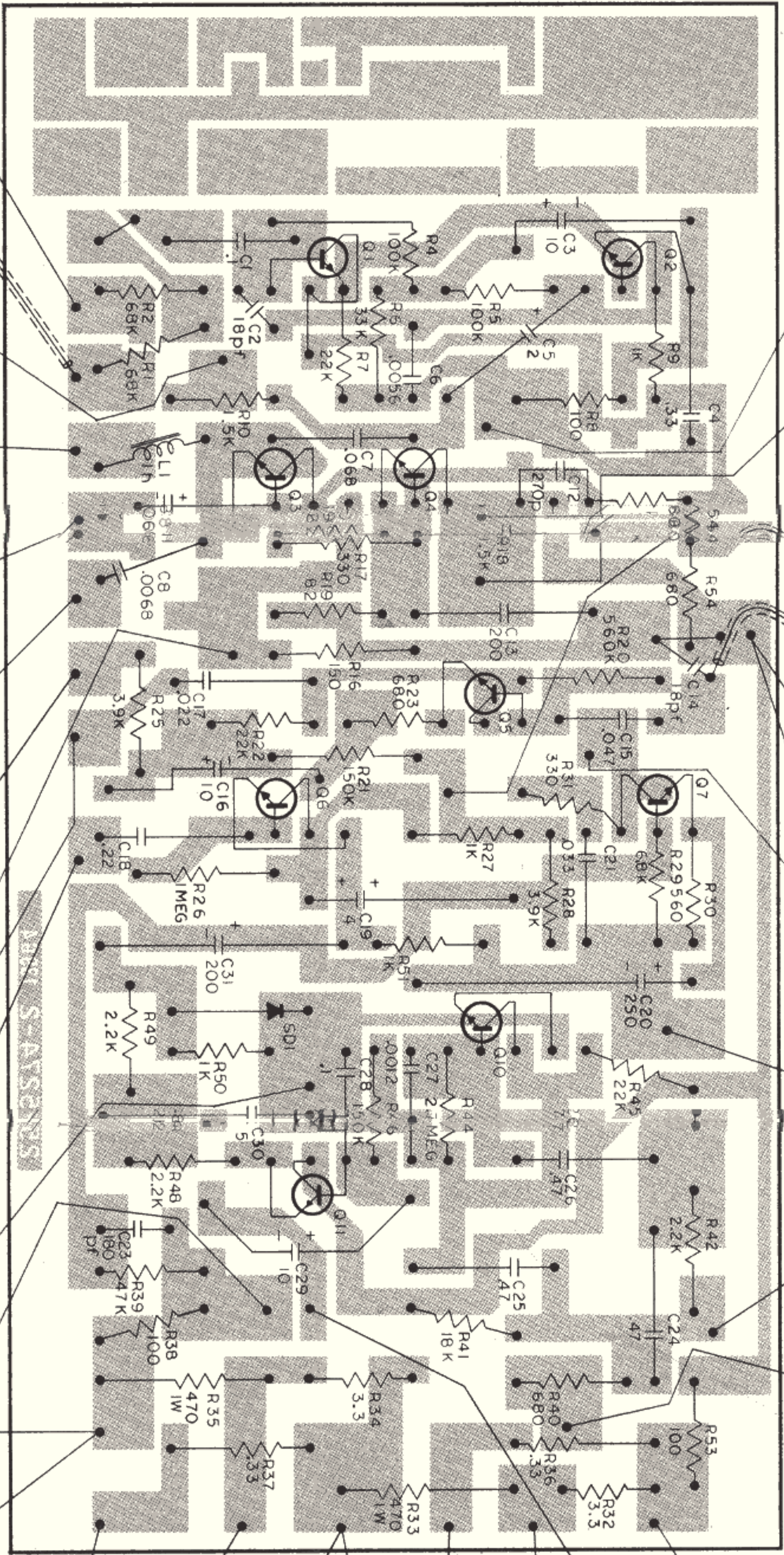
SW3

SW2

SW1



PEDAL ASSEMBLY



- B -
- TO PRIMARY OF TRANSFORMER T1
- + SIG. SOURCE
- SIGNAL FROM REVERB DELAY LINE
- + 27V SOURCE
- FROM PRIMARY OF TRANSFORMER T2
- B -
- TO TREMULO SPEED CONTROL R43
- TO PIN1 OF PEDAL SOCKET S8

- INPUT SIGNAL FROM J3
- INPUT SIGNAL FROM J1
- TO TREBLE CONTROL R12
- TO PIN 4 OF PEDAL SOCKET S8
- FROM FROM PEDAL VOLUME CONTROL R14
- TO TREBLE CONTROL R12
- TO PIN 3 OF PEDAL SOCKET S8
- TO REVERB CONTROL R24
- FROM FROM REVERB CONTROL R24
- B -
- TO SPEAKER SOCKET S6
- B -

PP P. C. BOARD & COMPONENTS

84-18382-1

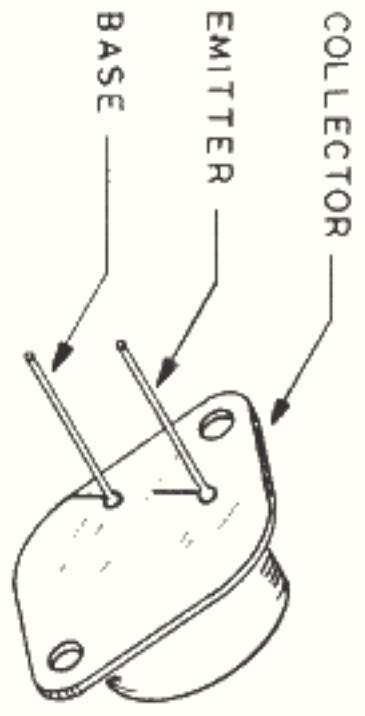
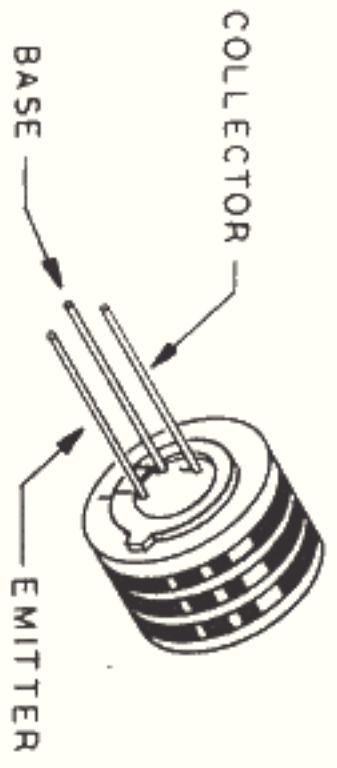
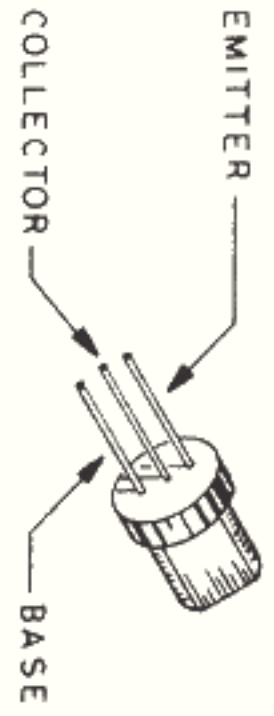
(SHOWN COMPONENT SIDE UP)

38-5373-0

PART S-AYSSNS

- + 33.5V SOURCE
- TO TREMULO DEPTH CONTROL R47
- FROM SECONDARY OF TRANSFORMER T2
- TO EMITTER OF Q8
- FROM CAPACITOR C21
- TO COLLECTOR OF Q8
- FROM SECONDARY OF TRANSFORMER T2
- TO EMITTER OF Q9

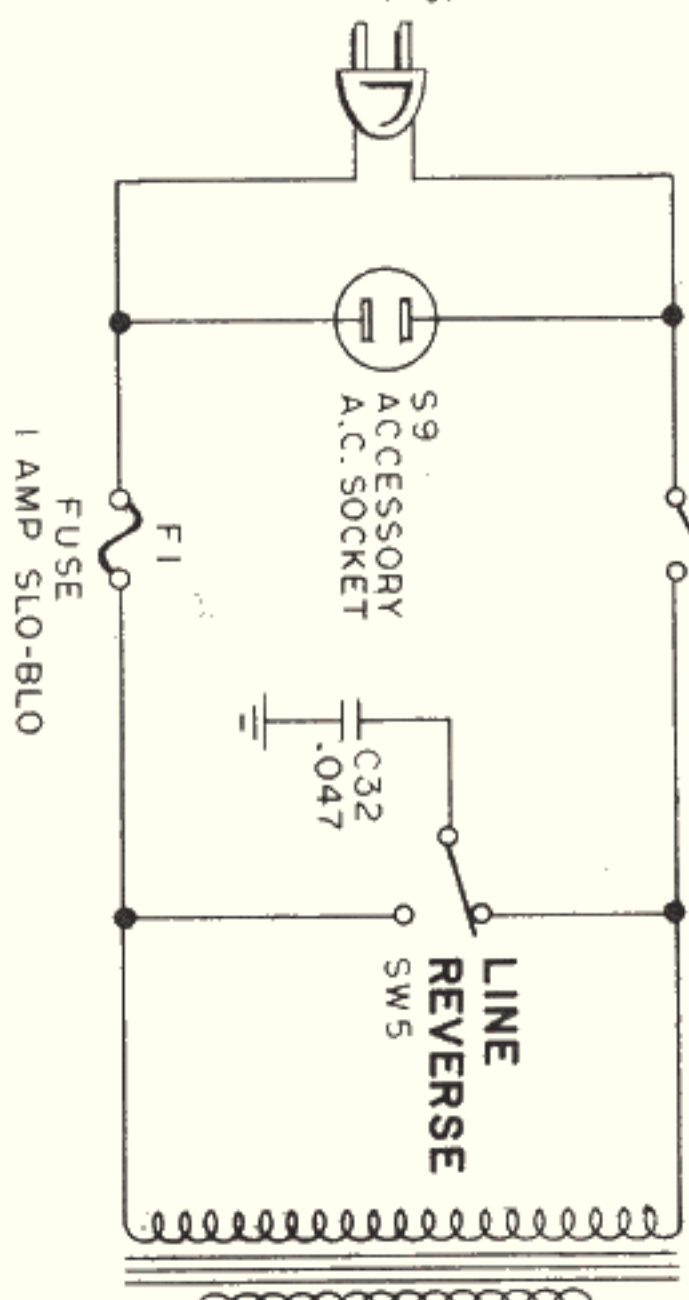
TRANSISTOR INFORMATION



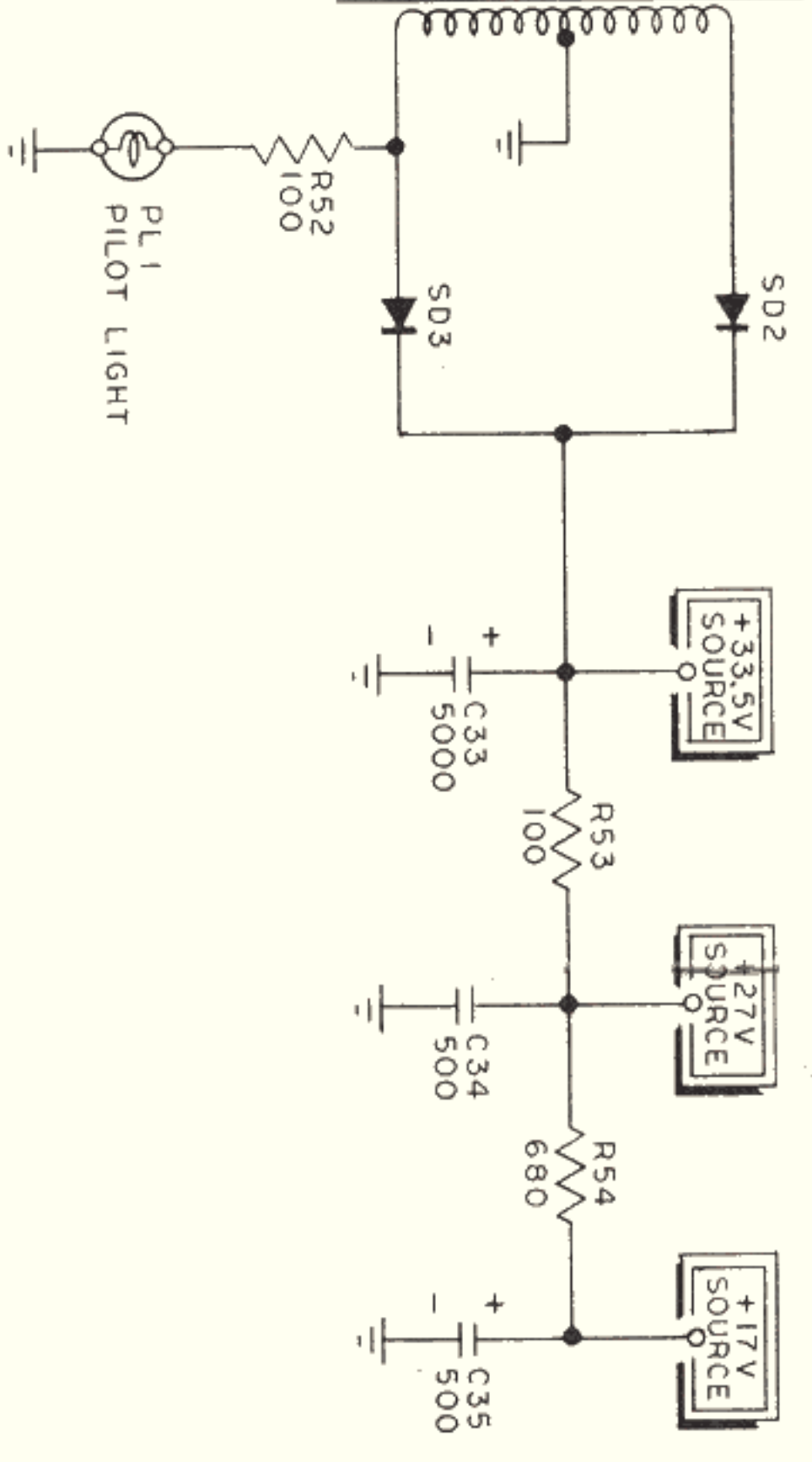
POWER

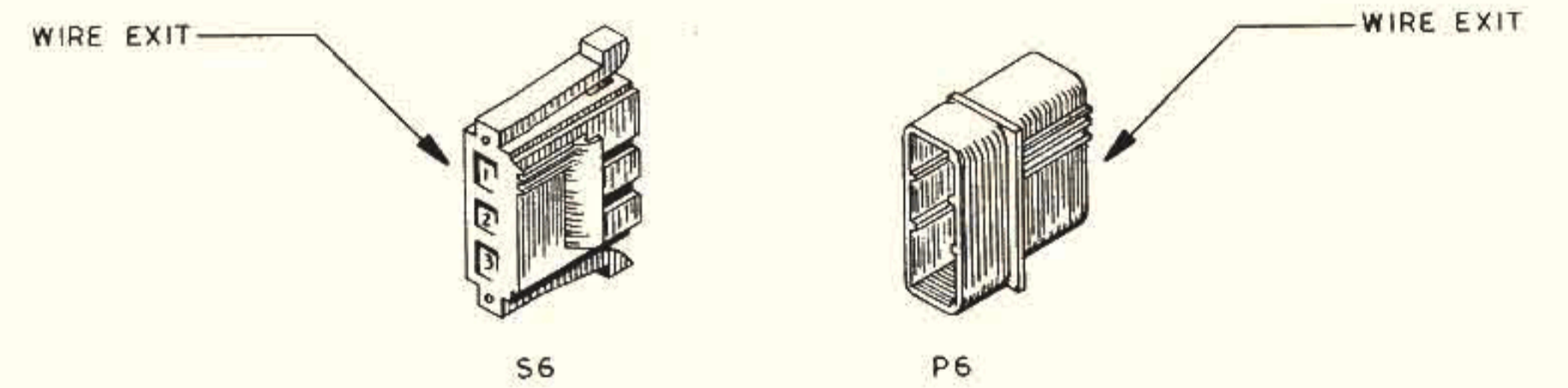
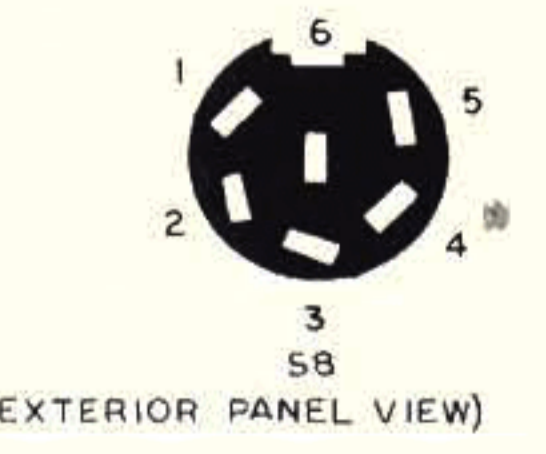
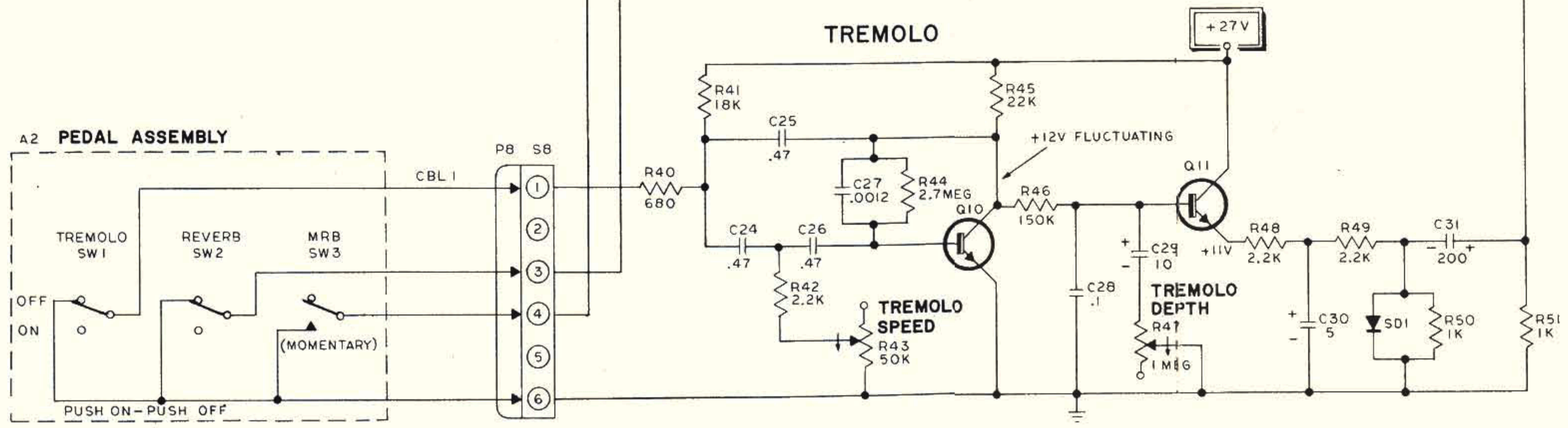
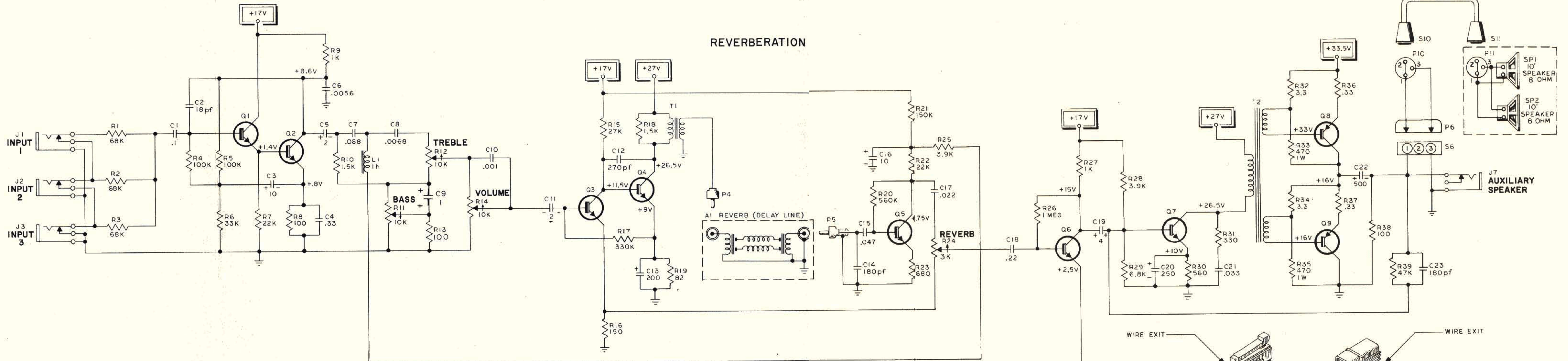
ON-OFF
SW4

120 VOLTS
60 CYCLE
45 WATTS
4.5 AMPS



POWER SUPPLY





GENERAL INFORMATION

+17V

This symbol denotes the common connecting points for the various power supply connections throughout the unit. Note that several of these points are marked "source" which denotes the origin of the reference potential.

B-

These symbols both represent B- (amplifier chassis ground).

Arrows indicate the direction of audio signal flow through the circuits.

→ 6

This symbol indicates plug and socket terminal connections. Where it is not practical to draw the assembly as a complete unit.

1. All capacitors in MFD unless otherwise indicated.
2. All resistors 1/2W 10% unless otherwise indicated.
3. All voltage readings made with 20,000 ohm per volt meter (voltages $\pm 10\%$ with no signal applied).
4. Arrow drawn on pot. arm indicates clockwise rotation.