

INDEXED PARTS LIST

DESCRIPTION
BODY ASSEMBLY
Acoustical Body (Specify Color) Electronics Cover (Plastic - 6½" dia.) ...Mtg. Screw (#3 x 3/8" rd.) Non-slip Pad (W/Snaps - 12") Snap Button & Screw Assy. (Pad) Strap Button & Screw Assy. Slide Switch Cover (W/Mtg. Screw)
PICK GUARD
...Mtg. Screw & Spacer Assy. ...Support Rod Spacer & Screw Assy. ...Support Rod ...Support Rod Mtg. Bracket & Spacer Assy. ...Support Rod Bracket Mtg. Screw
NECK ASSEMBLY W/MACHINE HEADS
...Mtg. Screw (#10 x 1-3/4" Oval) Machine Head (Single) ...Mtg. Screw (#2 x 5/8" Oval) Machine Head Eyelet String Cleat, Spacer & Screw Assy. Bridge Nut (Aluminum) Fret Wire (Narrow - Order Per Foot) Fret Wire (Wide - Order Per Foot) Neck Rear Cover Plate (Trapezoidal) ...Mtg. Screw (#10 x 1-3/4" Oval)
ADJUSTABLE BRIDGE ASSEMBLY
Bridge Stand (Wood) ...Adjustment Nut (Chrome)
TREMOLO TAILPIECE ASSEMBLY
...Tailpiece Mtg. Screw (#6 x 1" Oval) ...Tailpiece Screw & Flange Nut Assy. Tailpiece Frame (W/Inlay) ...Wood Panel Inlay (W/Logo) Tremolo Spring Roller Bar (W/Pins) ...String Mtg. Pin Retaining Ring (Roller Bar) Action Arm ...Mtg. Screw (#10 x 32 Allen Head) Tremolo Arm (W/Knob) ...Knob (Only) Tremolo Arm Mtg. Screw (#10 x 32 rd.)

INDEX NO.	PART NO.	DESCRIPTION
31	09-3328-0	Tremolo Arm Mtg. Washer (Leather)
32	09-3327-0	Tremolo Arm Mtg. Washer (Metal)
33	09-3312-0	Tremolo Arm Mtg. Nut (#10 x 32 Hex.)
34	09-3315-0	String Tension Bar
35	09-3317-0	Retaining Ring (Tension Bar)
36		Single Notch Aluminum Rollers
	09-3325-0	...String "E" - 1
	09-3324-0	...String "B" - 2
	09-3323-0	...String "G" - 3
	09-3322-0	...String "D" - 4
	09-3321-0	...String "A" - 5
	09-3320-0	...String "E" - 6
ELECTRONIC COMPONENTS		
37	09-3754-0	Distortion, Treble-Bass, Repeat Module Assy. & P. C. Board
	09-3707-0	...Treble-Bass Boost Module
	09-3708-0	...Distortion Module
	09-3755-0	...Repeat Module
	09-3756-0	...P. C. Board (Only)
	09-3710-0	...100 uF 12V (Electro.) Capacitor
	09-3711-0	...10 uF 15V (Electro.) Capacitor
38	66-5000-0	9V Transistor Battery
39	09-3842-0	Battery Clamp & Screw Assy.
	09-6202-0	...Battery Clip & Cable Assy.
40	09-3703-0	"E" Tuner Assy.
	09-3704-0	...Tuning Coil
	09-3705-0	...P. C. Board (Only)
41	09-1027-0	100k Ohm Linear Pot. (Tone)
42	09-3766-0	Knob (Tone II)
43	09-105-0	.047 uF 150V (Capacitor)
44	09-3719-0	Knob (Tone I)
45	09-3716-0	.094 uF 125V (Capacitor)
46	09-1028-0	500k Ohm Log. Pot. (Volume)
47	09-3720-0	Knob (Volume 1)
48	09-3765-0	100k Ohm "BR" Pot. (Repeat)
49	09-3767-0	Knob (Repeat)
50	09-3714-0	1.5k Ohm Pot. (Distortion)
51	09-3721-0	Knob (Distortion)
	09-3718-0	...Set Screw (All Knobs)
52	09-3715-0	500k Ohm "B" Pot. (TR-B Boost)
53	09-3722-0	Knob (TR-B Boost)
54	09-3029-0	Phone Jack (Stereo)
55	09-3884-0	Control & Switch Plate (W/Mtg. Screw)
56	09-3717-0	Dial Pointer
57	09-3772-0	Toggle Switch (W/Knob - 3 Position)
	09-3773-0	Knob (Only)
58	09-3761-0	Pickup Assy. (Treble)
59	09-3883-0	...Mtg. Bracket (Treble)
60	09-3757-0	Pickup Adjusting Screw & Spring Assy.
61	09-3759-0	Pickup Assy. (Bass)
62	09-3762-0	...Mtg. Bracket (Bass)
63	09-3713-0	Slide Switch (D.P.S.T.)

GUITAR

SERVICE INFORMATION

© 1968



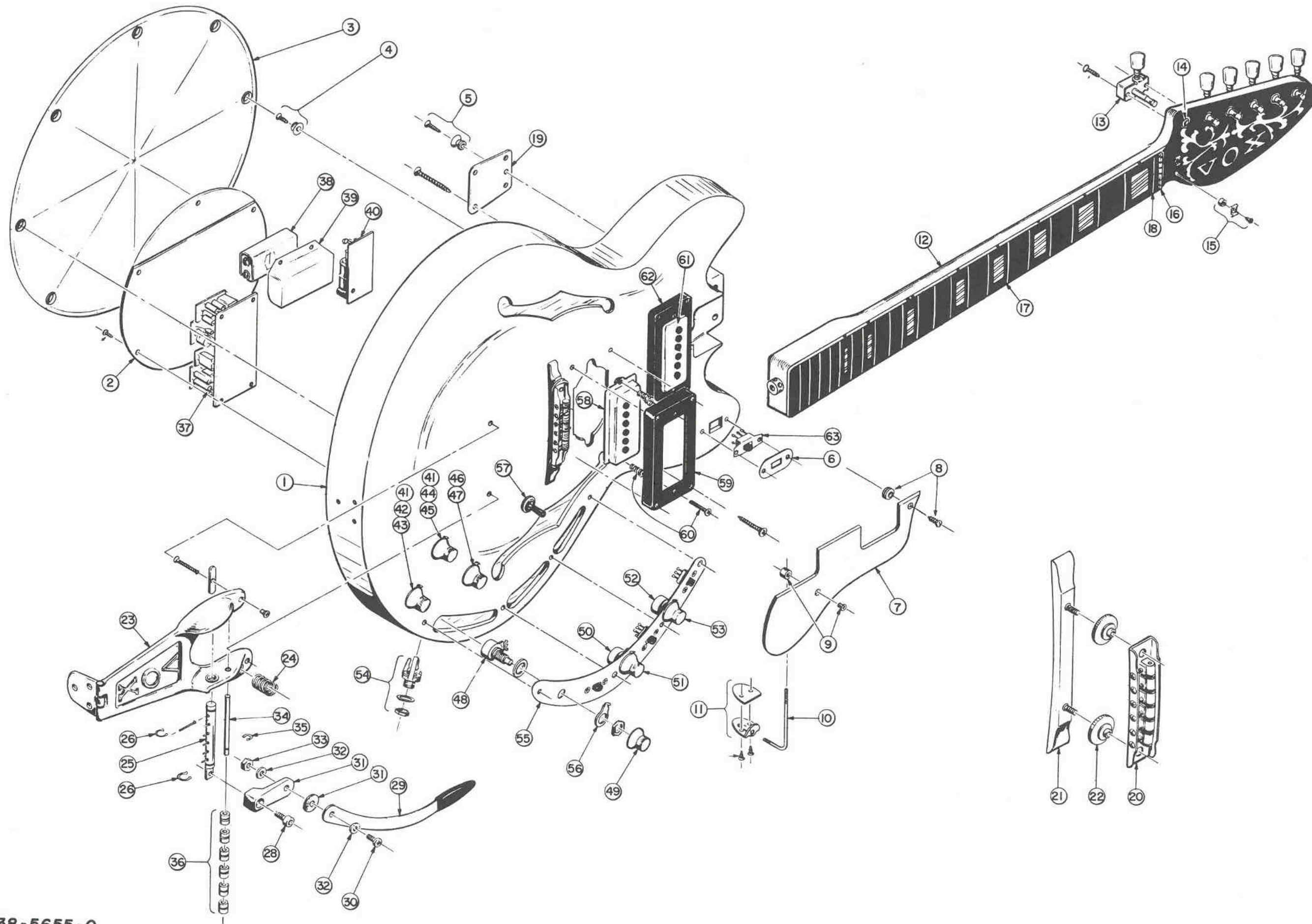
CHEETAH

V267

MARCH **R**

Thomas Organ Company • National Service Department • Sepulveda, California

Printed in U.S.A.

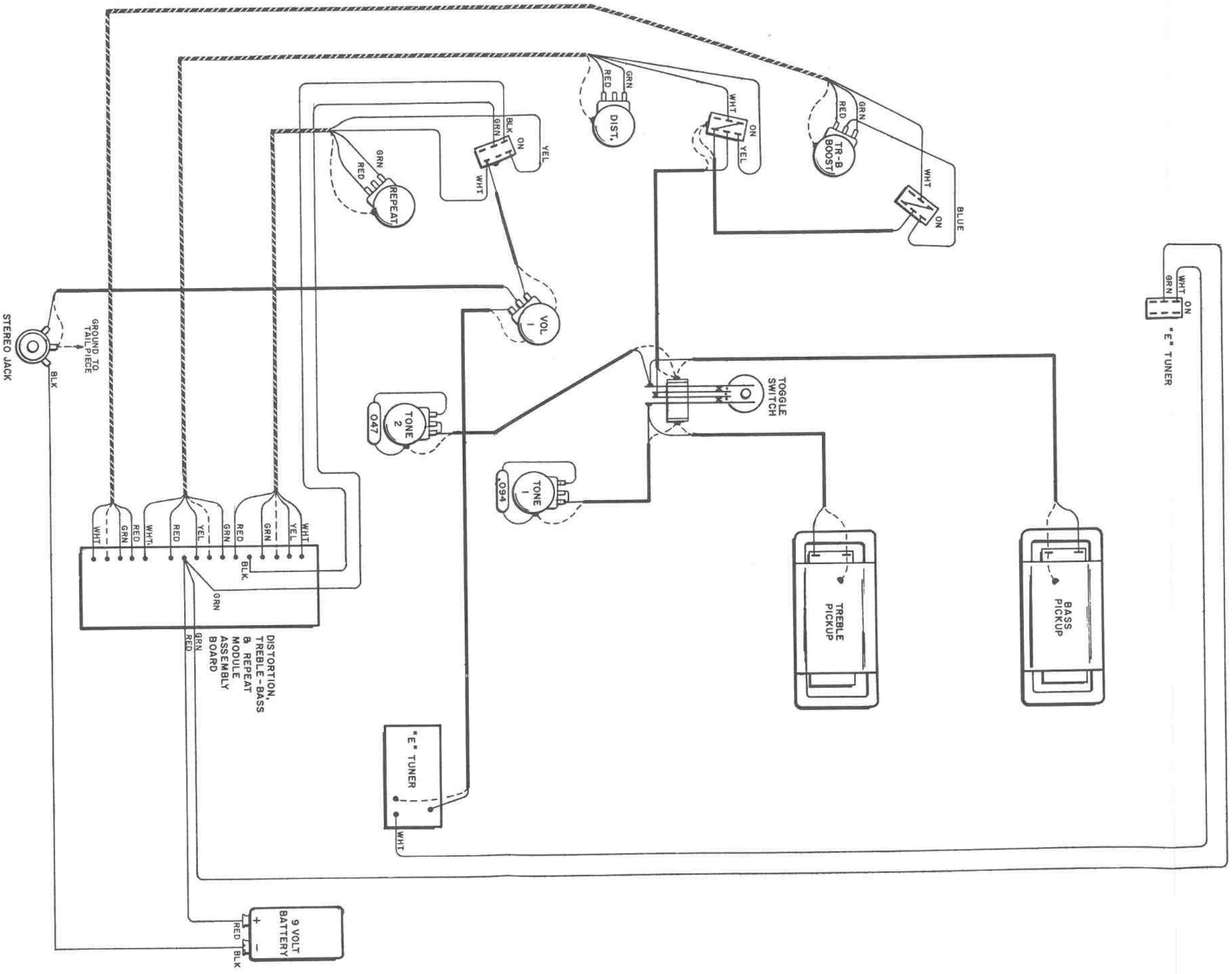


38-5655-0

ILLU

INDEX NO.	PART NO.
1	09-1
2	09-1
	09-1
3	09-1
4	09-1
5	09-1
6	09-2
7	09-3
8	09-2
9	09-2
10	09-2
11	09-2
	09-2
12	09-3
	09-3
13	09-3
	09-3
14	09-3
15	09-11
16	09-3
17	09-11
18	09-11
19	09-16
	09-37
20	09-16
21	09-20
22	09-20
	09-38
	09-13
	09-38
23	09-38
	09-38
24	09-10
25	09-331
	09-331
26	09-332
27	09-331
28	09-331
29	09-130
	09-333
30	09-331

WIRING DIAGRAM



LEGEND

- SINGLE WIRE
- ▨ SHIELDED CABLE
- - - GROUND