

REV	APP
1	23-8-65
2	2-7-67
3	4-8-65
4	9-12-65

NOTES:
 HIGHEST R.M.E: 91
 HIGHEST C.M.E: 55

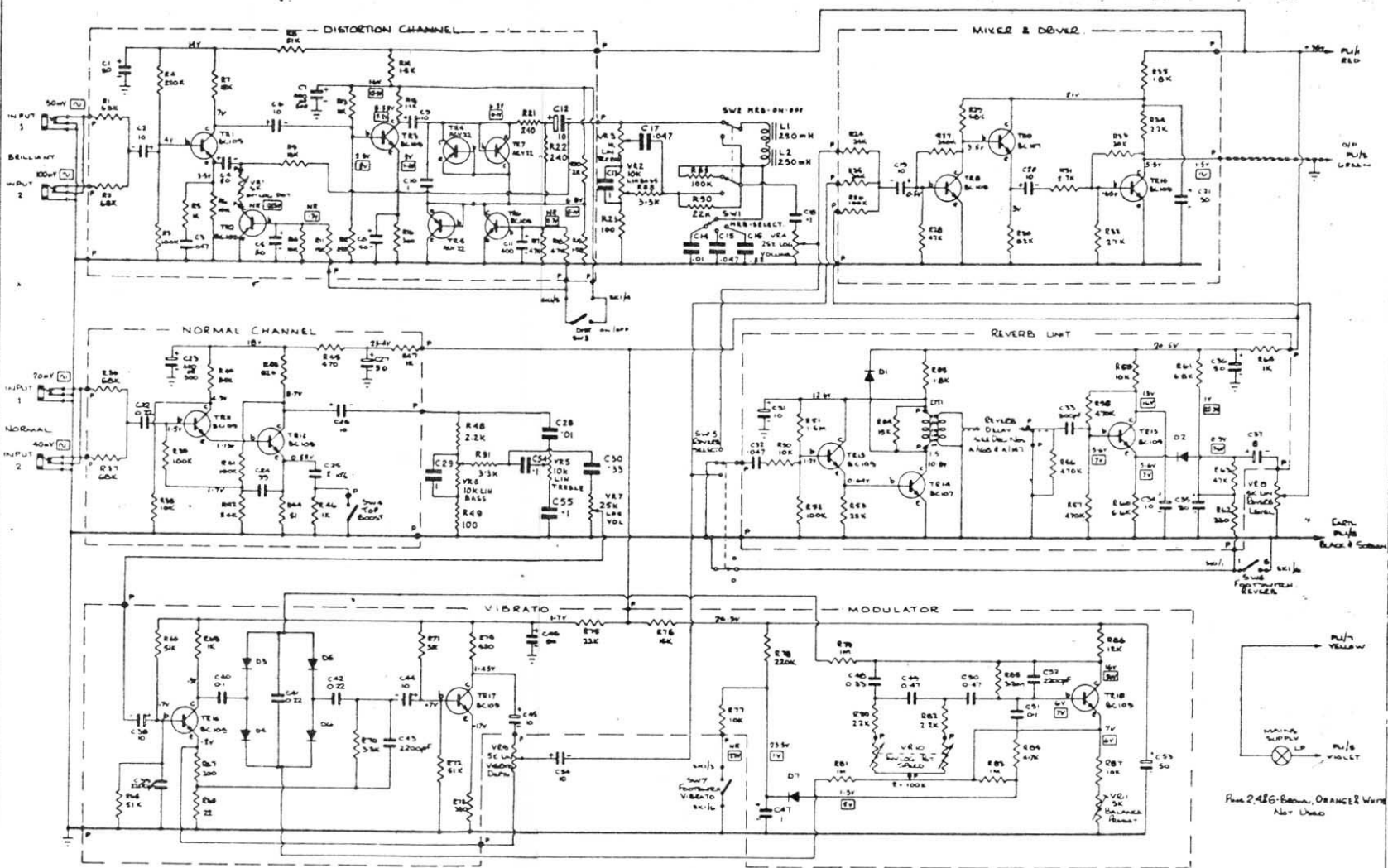
COMMENCING WITH R88 AND C54 RESISTORS & CAPACITORS ARE NOT GROUPED TOGETHER.

Vox MkIII Preamp for
 Conqueror
 Defiant
 Supreme

DO NOT SCALE

IF IN DOUBT ASK

THIRD ANGLE PROJECTION

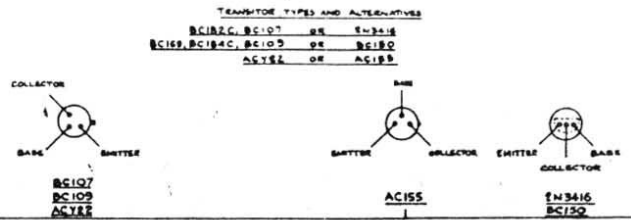


VRMS = DISTORTION REVERB VIBRATO ON
 OTHER VOLTAGE READINGS = NO SIGNAL CONDITIONS
NR = NOT READABLE
⊖ = SIGNAL VOLTAGE FOR FULL OUTPUT OF AMPLIFIERS ALL CONTROLS @ MAX HEB & T'S OFF
TEST FREQUENCY 1Kc/s
 ALL DC READINGS TAKEN ON AVQ 8
 VARIATIONS IN VOLTAGE READINGS DUE TO TRANSISTOR SPREAD WILL BE FOUND
 ALL VOLTAGE READINGS WITH RESPECT TO EARTH

ALL DIODE TYPES M6100 OR C4500 OR BA159
 P DENOTES PIN CONNECTIONS ON IPC BOARD

FOR VHT500 POWER STAGE SEE DES. NO. OS/132
 CONQUEROR - OS/133
 DEFIANT - OS/134
 SUPREME - OS/135

USED WITH 2.5V F/50



Pin 2, 4 & 6 - Brown, Orange & Yellow
 Not Used

DESIGN	ENGR	THE DRAWING INFORMATION DOCUMENT BELONGS TO VHSI BOWERS LTD AND IS ISSUED ON CONDITION THAT IT IS NOT COPIED, REPRODUCED OR INCORPORATED IN ANY OTHER MANNER WITHOUT THE CONSENT IN WRITING OF VHSI BOWERS LTD	
APPROVED	DATE	SCALE	
BY			
TITLE :-		Dwg. No.	
VOX SOUND STAGE AMPLIFIER		OS/184	
VOX SOUND LTD., ERITH, KENT, ENGLAND			

DWG. NO. OS/184