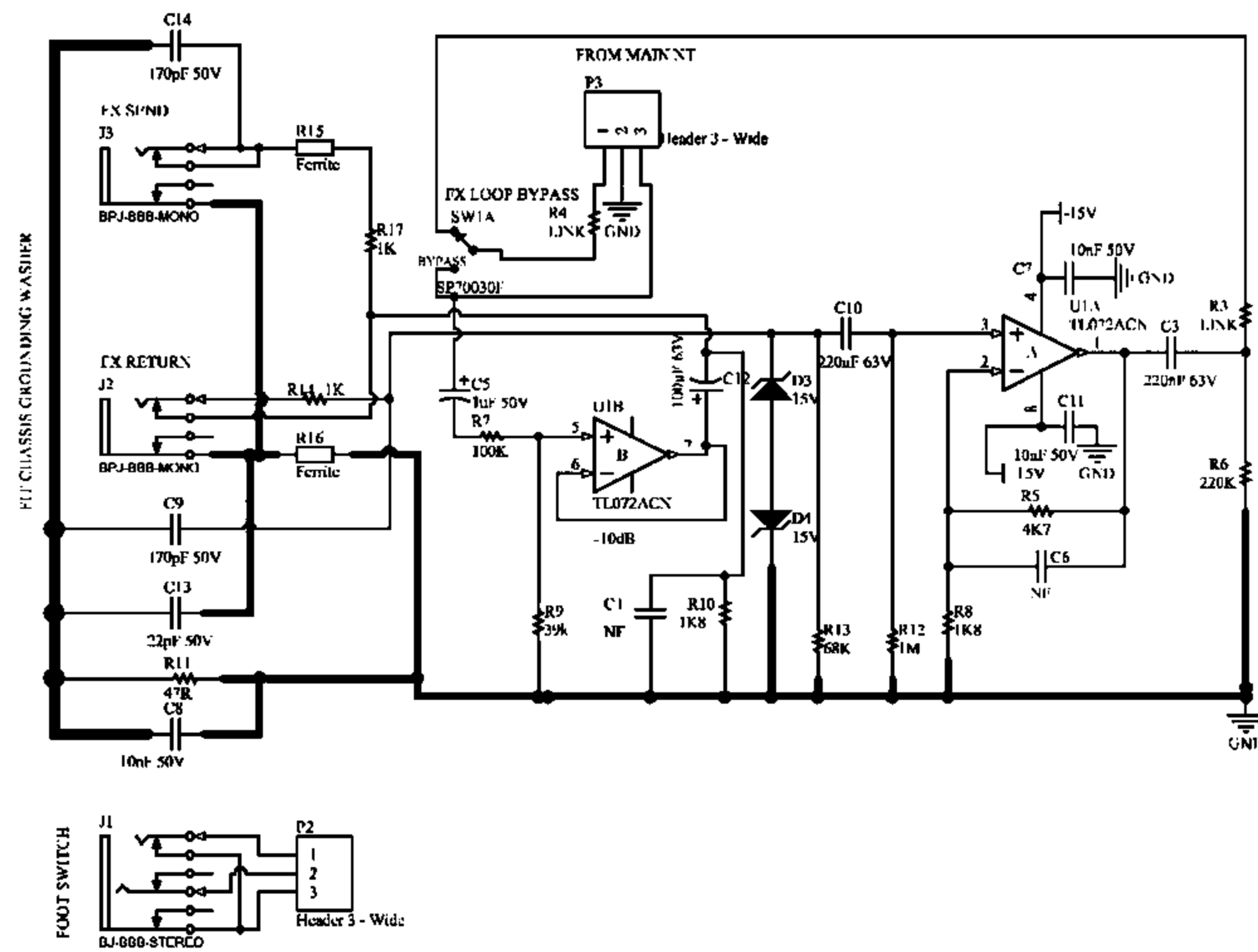
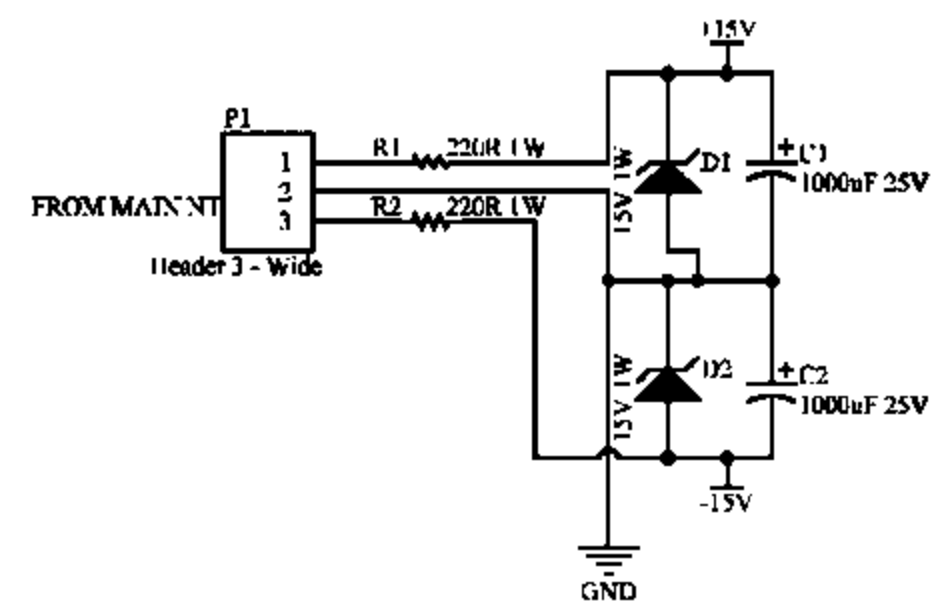


SAFETY CRITICAL COMPONENT
 REPLACE ONLY WITH THE SAME
 TYPE & RATING
 IF IN DOUBT CONTACT SUPPLIER

Author: D Clarke	Title: Night Train 50	VOX R&D Ltd. 64 Alton Drive Bradwell Abbey Milton Keynes Bucks, MK13 9JH
Checked By: N Saich	Date: 20/1/2011	Revision: JSS1b
	Time: 15:52:15	Sheet 1 of 2
	File: V:\Altium\NT50\Release\Release JSS1b\Source\NT50_Sch.Doc	





Note: Do not use these parts with "NF"

Author: D Clarke	Title: NTFX loop and USB Interface		VOX R&D Ltd. 64 Alston Drive Milton Keynes
Checked By: *	Size: A2	Number:	Revision: ISS1a
	Date: 18/12/2010	Time: 15:39:50	Sheet 1 of 1
	Title: V:\Allium\NTFX\USB\Releases\Releases\ISS1a\Source\NTFX_ISS1a_Sch1.Doc		Bucks MK11 9JTB

