

RELATED PARTS LIST

DESCRIPTION
BODY ASSEMBLY
Acoustical Body (Specify Color) Electronics Cover (Plastic - 6 1/2" dia.) ... Mounting Screw (#3 x 3/8" rd.) Non-slip Pad (W/Snaps - 12") Snap Button & Screw Assy. (Pad) Strap Button & Screw Assy. Slide Switch Cover (W/Mtg. Screw - Wah-Wah) Slide Switch Cover (W/Mtg. Screw - "E" Tuner)
PICK GUARD
... Mtg. Screw & Spacer Assy. ... Support Rod Spacer & Screw Assy. ... Support Rod ... Support Rod Mtg. Bracket & Spacer Assy. ... Mtg. Screw
NECK ASSEMBLY W/MACHINE HEADS
... Mtg. Screw (#10 x 1-3/4" Oval) Machine Head (Single) ... Mtg. Screw (#2 x 5/8" Oval) Machine Head Eyelet String Cleat, Spacer & Screw Assy. Bridge Nut (Aluminum) Fret Wire (Wide - Order Per Foot) Fret Wire (Narrow - Order Per Foot) Neck Rear Cover Plate (Trapezoidal) ... Mtg. Screw (#10 x 1-3/4" Oval)
ADJUSTABLE BRIDGE ASSEMBLY
Bridge Stand (Wood) ... Adjustment Nut (Chrome)
TREMOLO TAILPIECE ASSEMBLY
... Tailpiece Mtg. Screw (#6 x 1" Oval) ... Tailpiece Screw & Flange Nut Assy. Tailpiece Frame (W/Inlay) ... Wood Panel Inlay (W/Logo) Tremolo Spring Roller Bar (W/Pins) ... String Mtg. Pin Retaining Ring (Roller Bar) Action Arm ... Mtg. Screw (#10 x 32 Allen Head) Tremolo Arm (W/Knob) ... Knob (Only) Tremolo Arm Mtg. Screw (#10 x 32 rd.) Tremolo Arm Mtg. Washer (Leather) Tremolo Arm Mtg. Washer (Metal) Tremolo Arm Mtg. Nut (#10 x 32 Hex.) String Tension Bar Retaining Ring (Tension Bar)

INDEX NO.	PART NO.	DESCRIPTION
37	09-3325-0 09-3324-0 09-3323-0 09-3322-0 09-3321-0 09-3320-0	Single Notch Aluminum Rollers ... String "E" - 1 ... String "B" - 2 ... String "G" - 3 ... String "D" - 4 ... String "A" - 5 ... String "E" - 6
		WAH-WAH LEVER ASSEMBLY
38	09-3901-0 09-3906-0	Slide Pot. Assy. ... Mtg. Bracket
39	09-3787-0	Actuator & Mount Assy. (W/Screw)
40	09-3788-0	Lever
41	09-3923-0	Return Spring
		ELECTRONIC COMPONENTS
42	09-3902-0 09-3707-0 09-3708-0 09-3755-0 09-3786-0 09-3903-0 09-3710-0 09-3711-0	Distortion, Treble-Bass, Repeat, Wah-Wah Modules & P.C. Board Assy. ... Treble-Bass Boost Module ... Distortion Module ... Repeat Module ... Wah-Wah Module ... P.C. Board (Only) ... 100 uF 12V (Electro.) Capacitor ... 10 uF 15V (Electro.) Capacitor
43	66-5000-0	9V Transistor Battery
44	09-3842-0 09-6202-0	Battery Clamp & Screw Assy. ... Battery Clip & Cable Assy.
45	09-3703-0 09-3704-0 09-3705-0	"E" Tuner Assy. ... Tuning Coil ... P.C. Board (Only)
46	09-1027-0	100k Ohm Linear Pot. (Tone)
47	09-3766-0	Knob (Tone 2)
48	09-105-0	.047 uF 150V (Capacitor)
49	09-3719-0	Knob (Tone 1)
50	09-3716-0	.094 uF 125V (Capacitor)
51	09-1028-0	500k Ohm Log. Pot. (Volume)
52	09-3720-0	Knob (Volume 1)
53	09-3765-0	100k Ohm "BR" Pot. (Repeat)
54	09-3767-0	Knob (Repeat)
55	09-3714-0	1.5k Ohm Pot. (Distortion)
56	09-3721-0 09-3718-0	Knob (Distortion) ... Set Screw (All Knobs)
57	09-3715-0	500k Ohm "B" Pot. (TR-B Boost)
58	09-3722-0	Knob (TR-B Boost)
59	09-3029-0	Phone Jack (Stereo)
60	09-3884-0	Control & Switch Plate (W/Mtg. Screw)
61	09-3717-0	Dial Pointer
62	09-3772-0 09-3773-0	Toggle Switch (W/Knob - 3 Position) ... Knob (Only)
63	09-3761-0	Pickup Assy. (Treble)
64	09-3883-0	... Mtg. Bracket (Treble)
65	09-3757-0	Pickup Adjusting Screw & Spring Assy.
66	09-3759-0	Pickup Assy. (Bass)
67	09-3762-0	... Mtg. Bracket (Bass)
68	09-3713-0	Slide Switch (D.P.S.T.)

GUITAR

SERVICE INFORMATION

© 1968



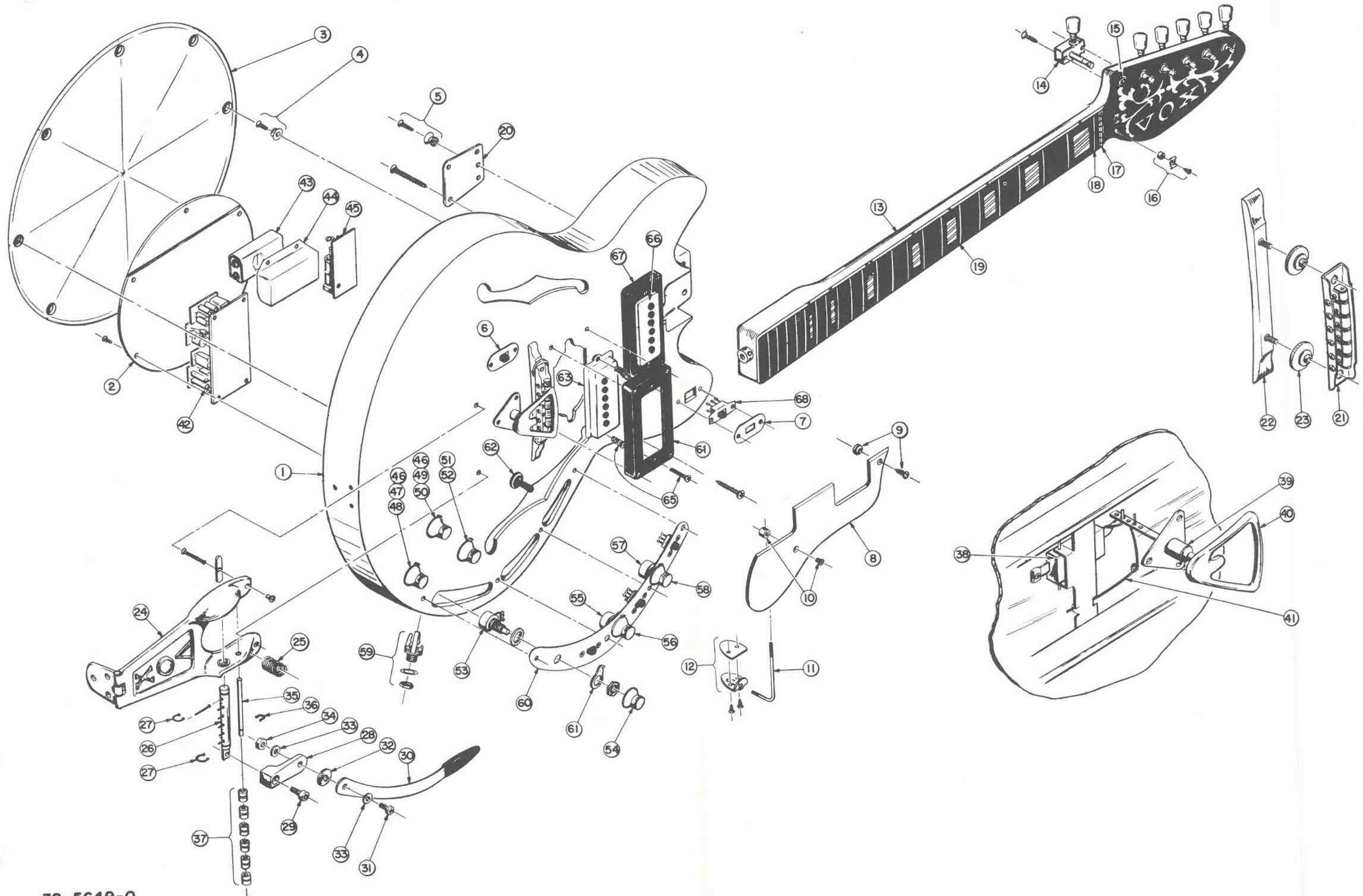
ULTRASONIC

V268

MARCH R

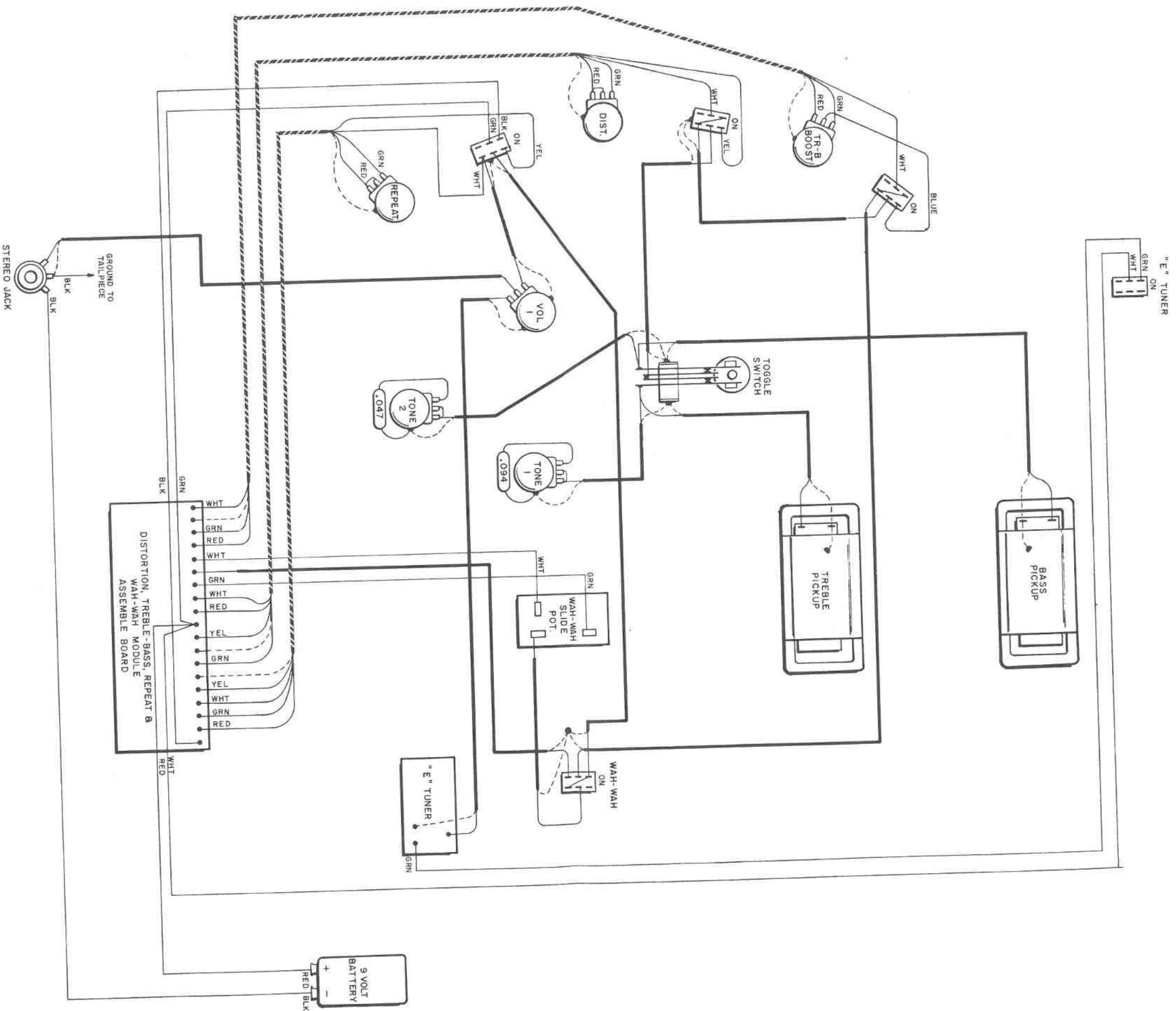
Thomas Organ Company • National Service Department • Sepulveda, California

Printed in U.S.A.



INDEX NO.	PART NO.
1	01
2	02
3	03
4	04
5	05
6	06
7	07
8	08
9	09
10	10
11	11
12	12
13	13
14	14
15	15
16	16
17	17
18	18
19	19
20	20
21	21
22	22
23	23
24	24
25	25
26	26
27	27
28	28
29	29
30	30
31	31
32	32
33	33
34	34
35	35
36	36

WIRING DIAGRAM



LEGEND

- SINGLE WIRE
- SHIELDED CABLE
- CABLE
- GROUND