

# *Service Manual*

# **VR30**

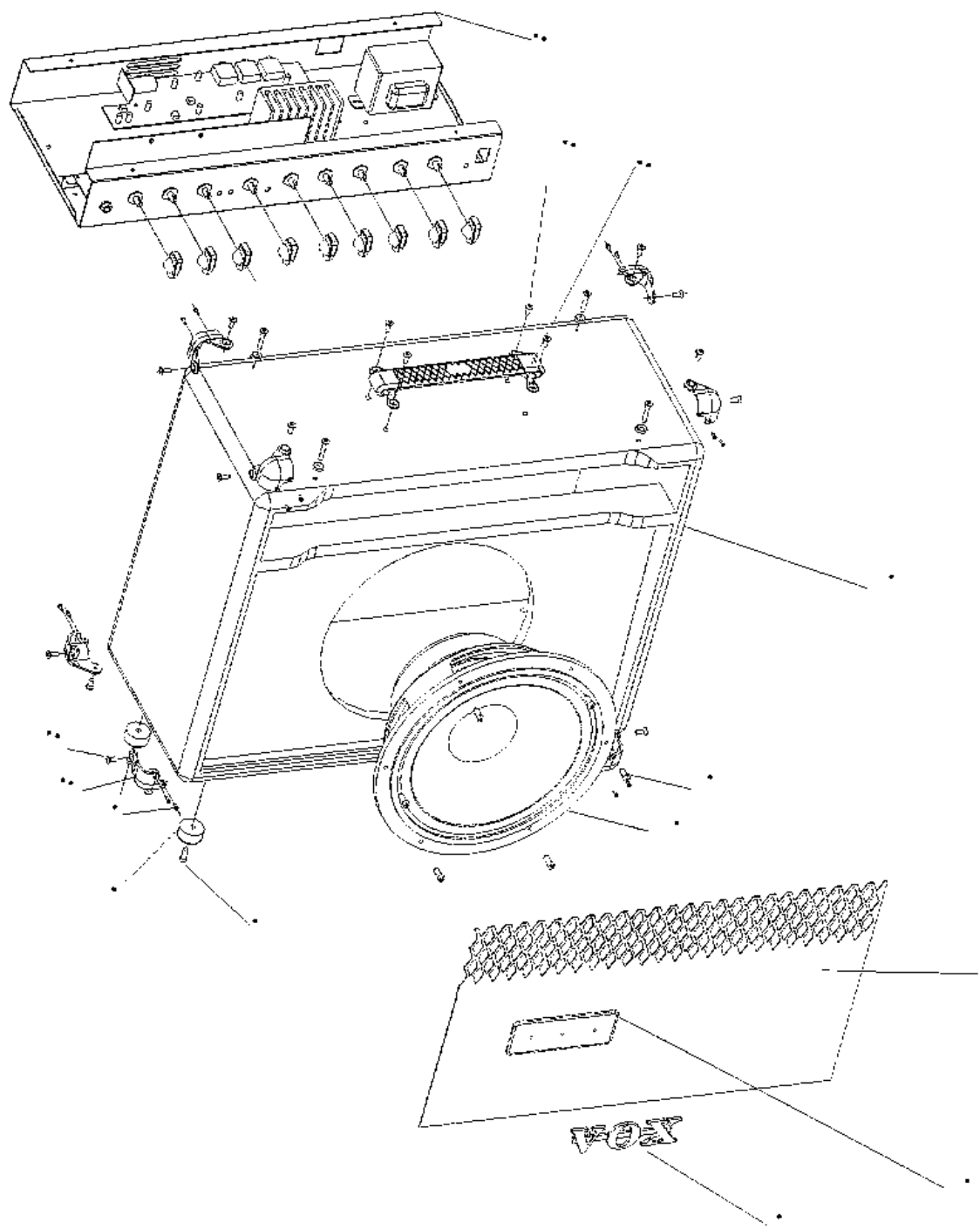
## **CONTENTS**

- 1) Assembly Sketch: Page 2
- 2) Schematic diagrams: Page 3&4
- 3) PCB Components Location Drawing: Page 5 & 6
- 4) Service Parts List: Page 7

1st Edition  
Issued date: May 12th, 2006  
Issued by: KORG INC.

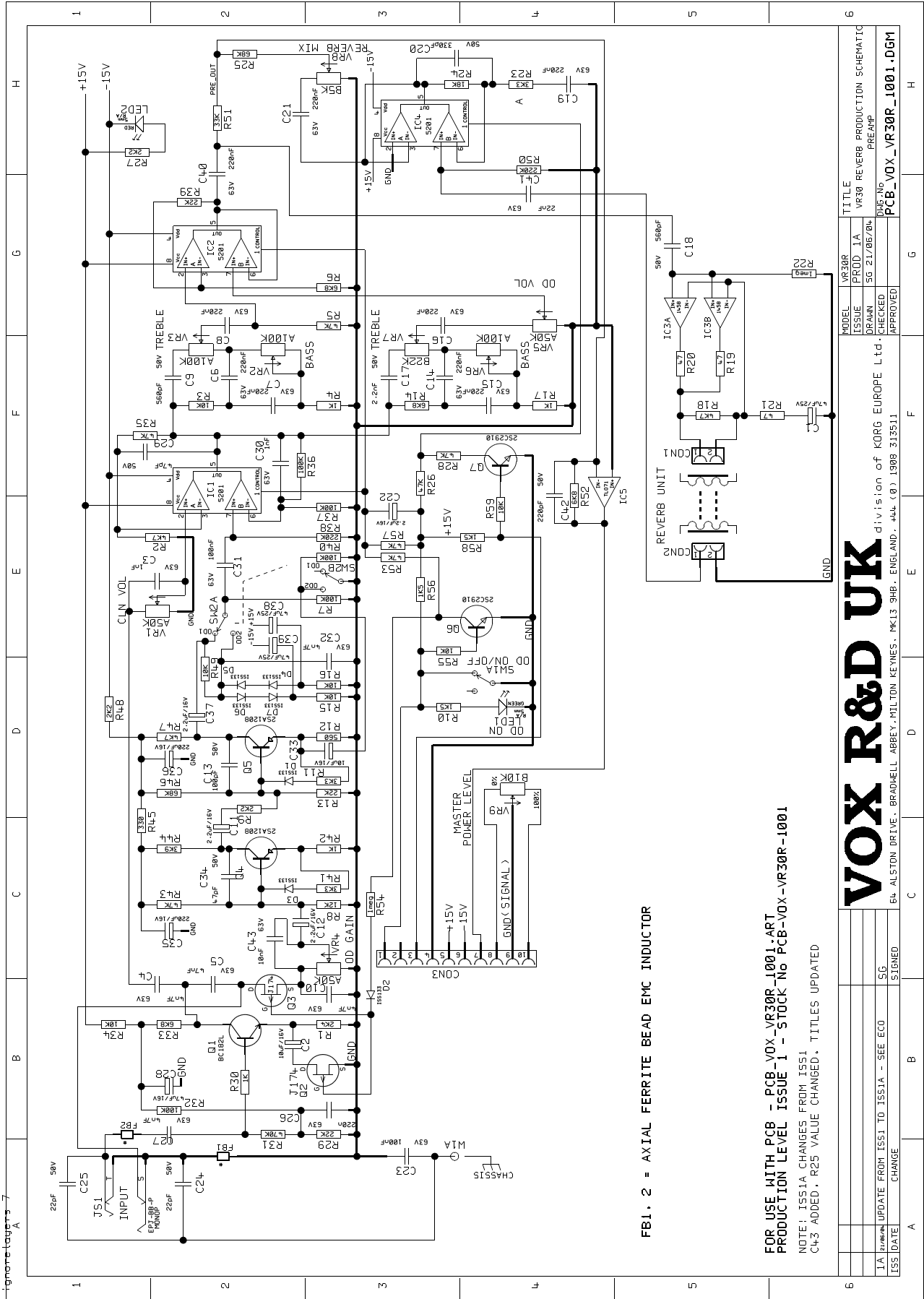
★ ASSEMBLY SKETCH

VR30



# ★ SCHEMATIC DIAGRAM(AMP)

**VR30**



FBI. 2 = AXIAL FERRITE BEAD EMC INDUCTOR

FOR USE WITH PCB - PCB\_VOX\_VR30R\_1001-ART  
 PRODUCTION LEVEL ISSUE 1 - STOCK No PCB-VOX-VR30R-1001

NOTE: ISS1A CHANGES FROM ISS1  
 C43 ADDED. R25 VALUE CHANGED. TITLES UPDATED

IA	ISS DATE	ISS	DESCRIPTION	SG
1A	21/05/04	ISS1A	UPDATE FROM ISS1 TO ISS1A - SEE ECO CHANGE	SG SIGNED

MODEL	PROD	ISSUE	DRAWN	CHECKED	APPROVED
VR30R	1A	1A	SG	21/05/04	

TITLE	
VR30R	REVERB PRODUCTION SCHEMATIC
PCB_VOX_VR30R_1001.DGM	PREAMP

Dwg No	
1908	313511

division of KORG EUROPE Ltd.

**VOX R&D UK**

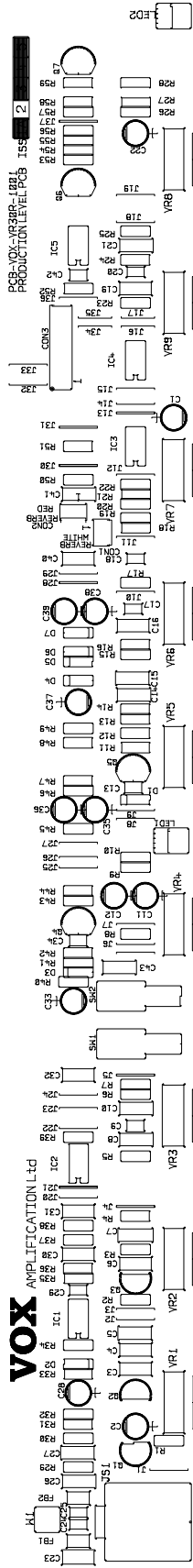
64 ALSTON DRIVE, BRADNELL ABBEY, MILTON KENES, MK13 9HB, ENGLAND. +44 (0) 1908 313511





# PCB COMONENTS LOCATON DRAWING

VR30

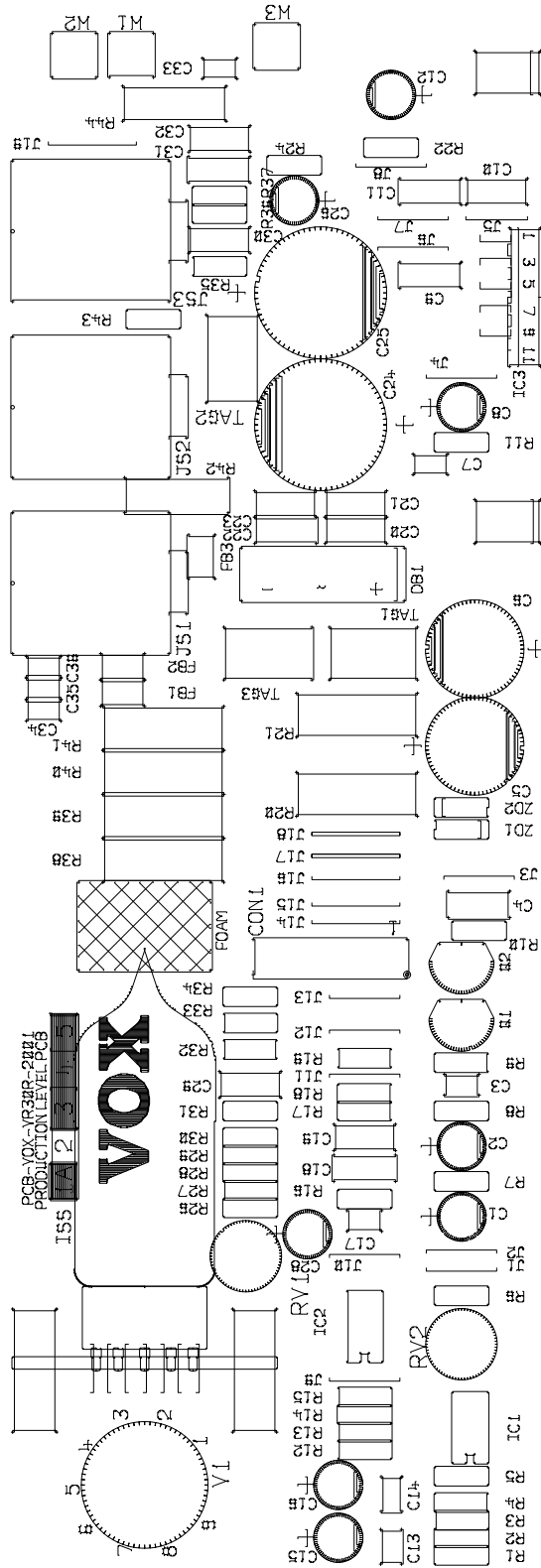


Prefix pcb components location drawing



# PCB COMONENTS LOCATION DRAWING

VR30



Amplifier pcb components location drawing

## VOX VR30 Parts List

Part Code	Part Name	Reference	QTY
53000000057	LOGO PLATE 217-1327000001	1	1
530000000448	LOGO BASE(VR30)	2	1
530000000450	IRON MESH(VR30)	3	1
530000000467	WOOFER(VR30)	4	1
530000000458	CABINET(VR30)	6	1
530000000063	RUBBER FOOT 25*12.5 W CUSHION	8	4
530000000060	PLASTIC CORNER 406-1308000000	10	8
530000000064	HANDLE AC15CC1	12	1
530000000447	BUTTON(PLASTIC KEYSTOKE)		2
530000000092	KNOB BLACK ABS 215-1308000000		9
530000000436	POWER TANSFORMER(VR30)		1
530000000438	POWER SWITCH R130-22C-11P		1
530000000088	POWER SOCKET RF-2004		1
530000000442	REVERBERATION(VR30)		1
530000000464	RADIO TUBE 12A*7A		1
530000000445	VR30-PREAMP PCB ASS'Y		1
530000000422	IC NJM1458D	IC3	1
530000000423	IC TL071	IC5	1
530000000103	IC NJM2120D	IC1.2.4	3
530000000425	TR 2SA1208	Q4.5	2
530000000105	TR 2SC2910	Q6.7	2
530000000426	FET J174	Q2.3	2
530000000427	TR BC182L	Q1	1
530000000429	LED D5-GREEN SLR57MG		1
530000000430	VR 10KB (VR30)	VR9	1
530000000431	VR RD1610NOJ0X-VA4-A100K	VR2.3.6	3
530000000432	VR RD1610NOJ0X-VA4-B22K	VR7	1
530000000433	VR 5KB (VR30)	VR8	1
530000000434	VR RD1610NOJ0X-VA4-A50K	VR1.4.5	3
530000000439	SWITCH PS-22F02	SW1.2	2
530000000112	PHONE JACK LS-2031-4		1
530000000116	JACK JS-1001-02	CON1.2	2
530000000446	VR30 AMPLIFIER PCB ASS'Y		1
530000000419	IC NJM4558D	IC1.2	2
530000000424	IC LM3875	IC3	1
530000000105	TR 2SC2910	Q1.2	2
530000000112	PHONE JACK LS-2031-4	JS3	1
530000000113	PHONE JACK LS-2031-6	JS1.2	2
530000000120	MANOSTAT IN4744A 15V-1W	ZD1.2	2
530000000465	RADIO TUBE SOCKET(VR30)		1