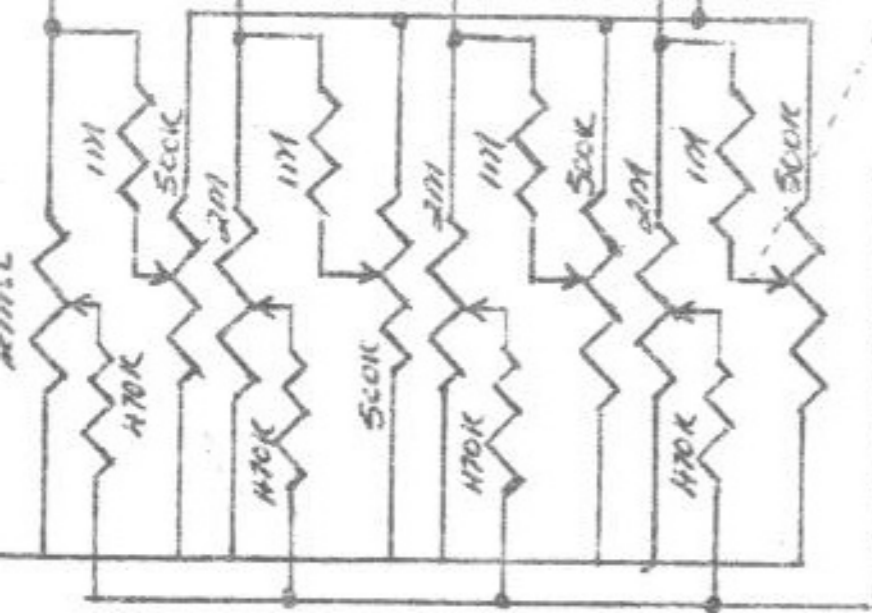
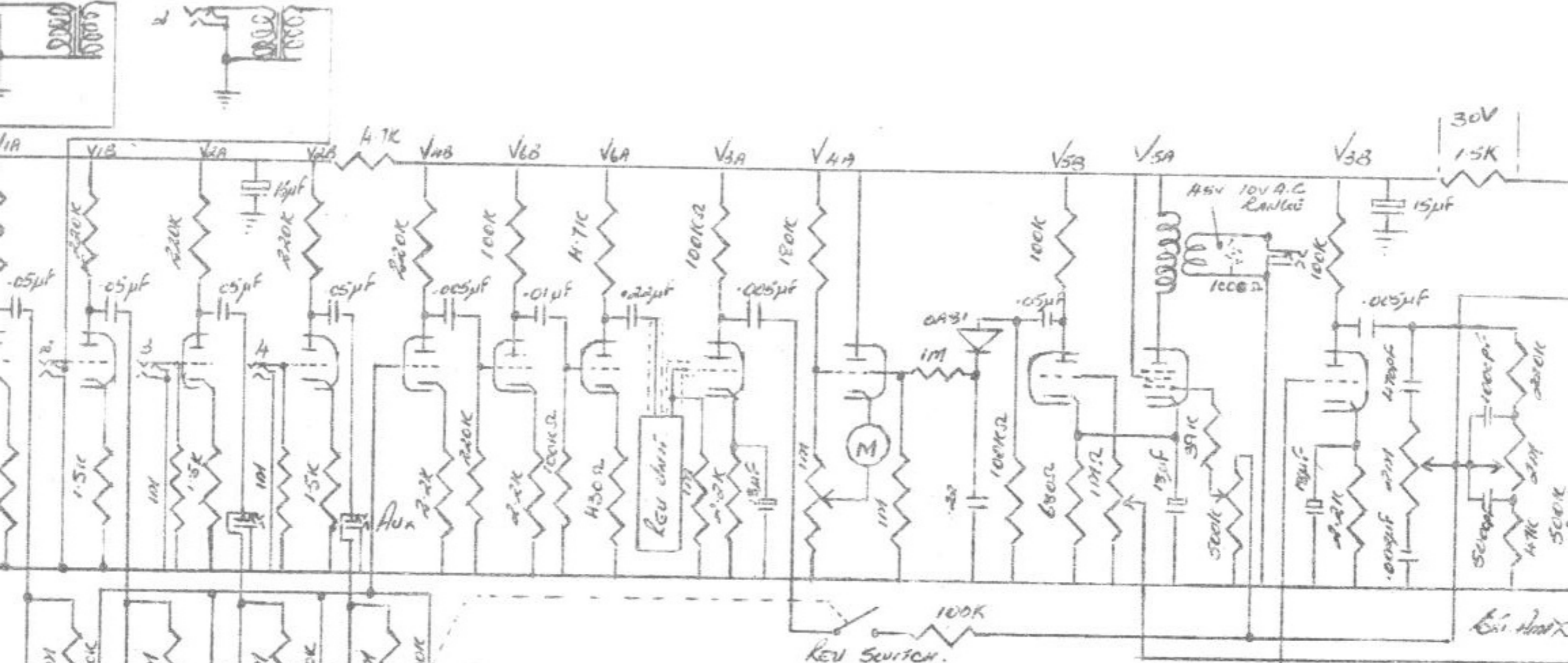


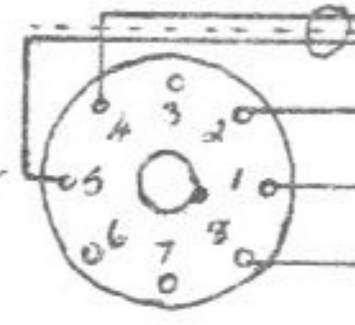
How Imp Transformer



ECC83	1.80V	3.65V	6.90V	8.65V	V1
"	1.80	3.65V	6.80V	8.65	V2
"	1.125V	3.11V	6.125V	8.11V	V3
"	1.190V	3.	6.100V	8.80V	V4
6C480	1.135V	3.9V	6.180	8.185	V5
ECC82	1.150V	3.89V	6.65V	8.7V	V6

High Imp	20mV	SENSITIVITY
Low Imp	10mV	"
Aux	400mV	"

1A Dui Poi Watt Meter



WATKINS F.R.30 MODIFIED VERSION